



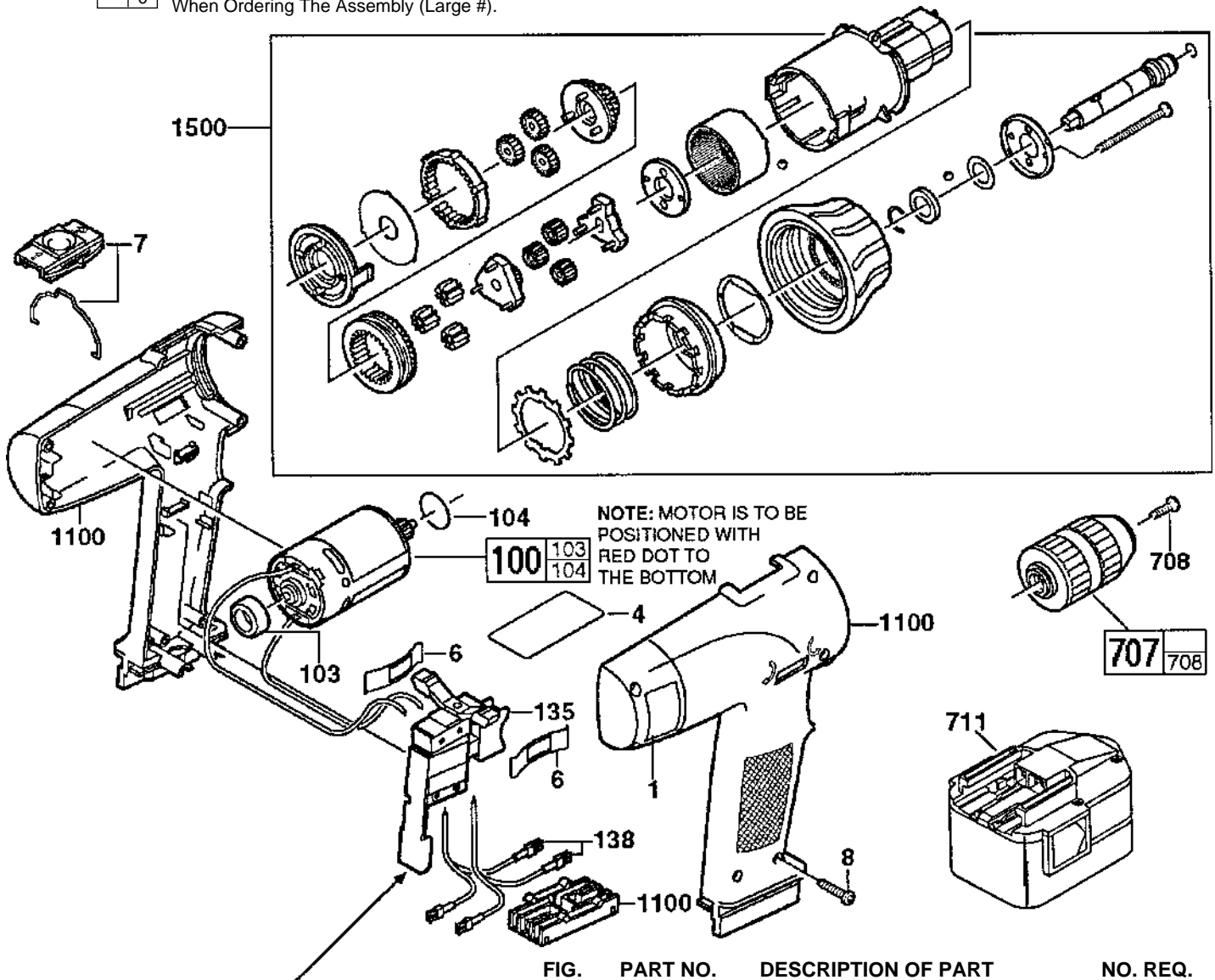
# SERVICE PARTS LIST

BULLETIN NO.  
54-06-2475

SPECIFY CATALOG NO. AND SERIAL NO. WHEN ORDERING PARTS		REVISED BULLETIN	DATE
14.4 VOLT 1/2" POWER PLUS DRIVER-DRILL			Jan. 2001
CATALOG NO.	0512-21	SERIAL NUMBER	944A
			WIRING INSTRUCTION <b>SEE REVERSE SIDE</b>



EXAMPLE:  
Component Parts (Small #) Are Included  
When Ordering The Assembly (Large #).



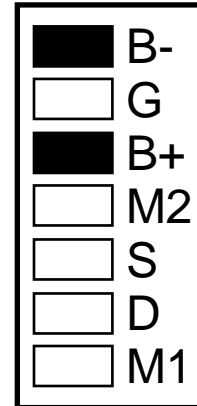
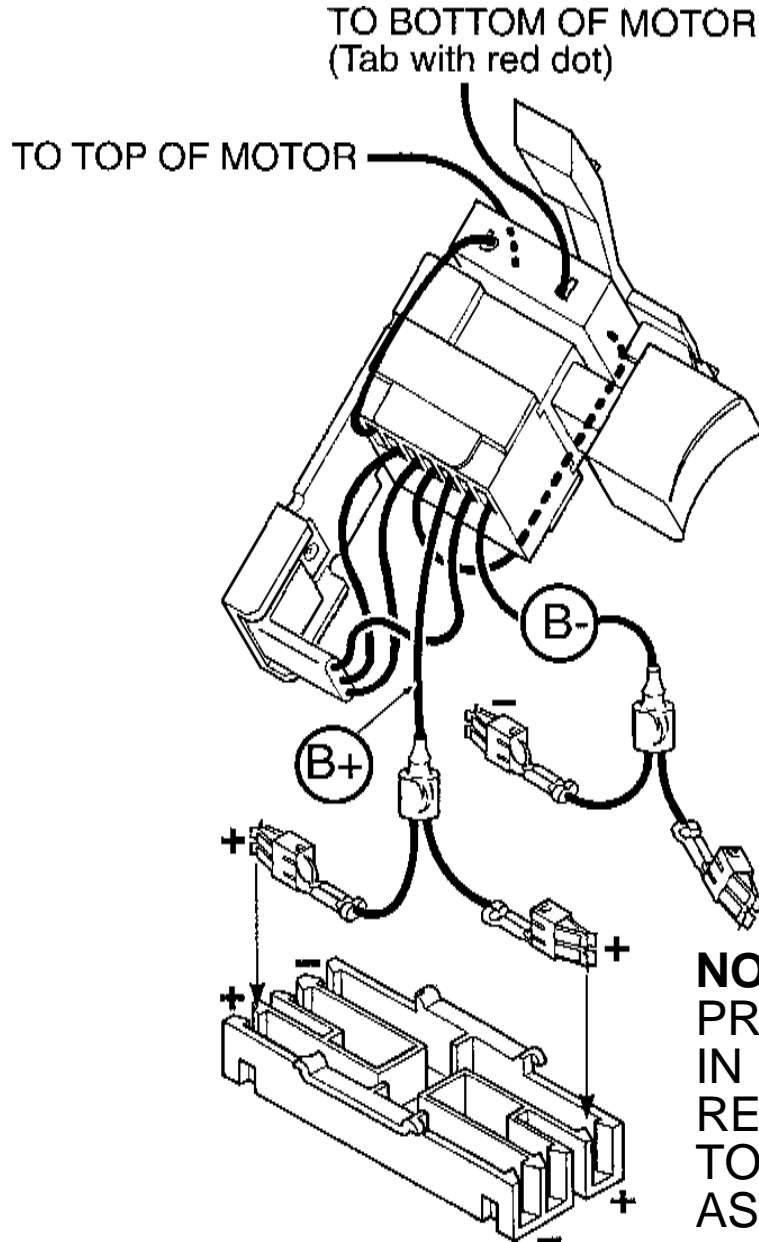
**⚠ WARNING**  
**SWITCH POLARITY SENSITIVE**  
If wired incorrectly with housing assembly, (fig. 1100), switch **will be** damaged and destroyed!  
*See reverse side of bulletin for switch wiring detail.*

FIG.	PART NO.	DESCRIPTION OF PART	NO. REQ.
1	10-15-0450	Warning Label	1
4	12-20-0860	Service Nameplate	1
6	45-22-0145	Dust Shield	2
7	45-24-1195	Slide High/Low	1
8	06-82-7236	Screw	6
100	23-30-0115	Motor	1
103	45-22-0570	Rubber Sleeve	1
104	34-40-2005	O-Ring	1
135	23-66-1295	Switch	1
138	23-94-9010	Lead Wire Assembly	1
707	48-66-0420	Chuck	1
708	05-88-1425	Chuck Screw - L.H. Thread	1
711	-----	Battery Pack	1
1100	31-50-0495	Housing Assembly	1
1500	14-29-0090	Gear Box Assembly	1

MILWAUKEE ELECTRIC TOOL CORPORATION  
13135 W. LISBON RD., BROOKFIELD, WI 53005

  
**WARNING**

**SWITCH POLARITY SENSITIVE**  
IF WIRED INCORRECTLY WITH  
HOUSING ASSEMBLY, (FIG. 1100),  
SWITCH **WILL BE** DAMAGED AND  
DESTROYED.



**BOTTOM VIEW  
OF SWITCH**

**NOTE:**  
PROPER POLARITY  
IN HOUSING ASSEMBLY  
REQUIRES LEADS  
TO BE CROSSED  
AS ILLUSTRATED 