



SERVICE PARTS LIST

BULLETIN NO.
54-05-0131

SPECIFY CATALOG NO. AND SERIAL NO. WHEN ORDERING PARTS		REVISED BULLETIN 54-05-0130	DATE Dec. '98
REVERSIBLE HEAVY-DUTY DRAIN CLEANER		WIRING INSTRUCTION 58-01-0021	
CATALOG NO. 0566-1	STARTING SERIAL NO. 496-84332		

EXAMPLE:

00	0
----	---

 Component Parts (Small #) Are Included When Ordering The Assembly (Large #).

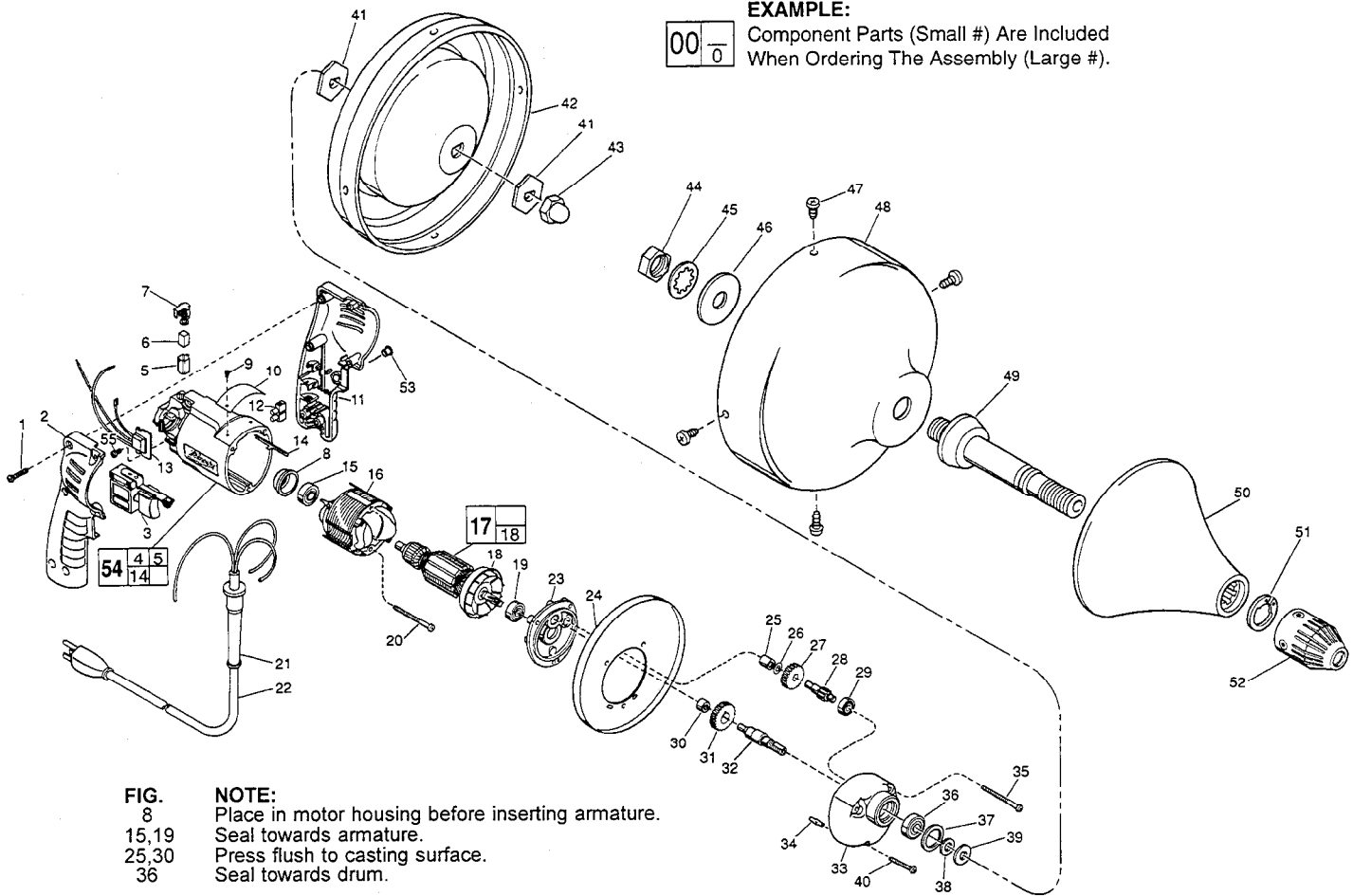


FIG. 8
15, 19
25, 30
36

NOTE:
Place in motor housing before inserting armature.
Seal towards armature.
Press flush to casting surface.
Seal towards drum.

FIG.	PART NO.	DESCRIPTION OF PART	NO. REQ.	FIG.	PART NO.	DESCRIPTION OF PART	NO. REQ.
1	06-82-7284	8-16 x 3/4" Pan Hd. Slit. Plast. T-20	(6)	31	32-75-3220	Spindle Gear	(1)
2	31-44-1705	Right Handle Half	(1)	32	38-50-5710	Reversing Spindle	(1)
3	23-66-1657	Speed Control Switch	(1)	33	28-14-1820	Gear Case	(1)
4	23-94-6225	Ground Wire Assembly (Not Shown)	(1)	34	06-65-0825	1/8 x 1/2" Groove Pin	(1)
5	22-20-0790	Brush Tube	(2)	35	06-82-7368	7 -18 x 1-3/4" Pan Hd. Slit. Plast. T-20	(2)
6	22-16-0275	Carbon Brush	(2)	36	02-04-1020	Ball Bearing	(1)
7	23-52-1560	Brush Spring Assembly	(2)	37	34-80-1400	Retaining Ring	(1)
8	22-72-0100	Bearing Cup	(1)	38	45-88-0080	Chuck Washer	(1)
9	06-85-0200	Nameplate Screw	(2)	39	45-88-0605	Flat Washer	(1)
10	12-99-0850	Service Nameplate	(1)	40	06-82-7308	7-18 x 1-1/8" Pan Hd. Slit. Plast. T-20	(1)
11	31-44-1700	Left Handle Half	(1)	41	45-88-8005	"D" Hole Hex Washer	(2)
12	22-56-0456	Terminal Block	(1)	42	43-11-0070	Upper Drum Section	(1)
13	14-20-0405	Remote Electronic Assembly	(1)	43	44-40-0625	Low Crown Nut	(1)
14	44-60-0530	Ground Pin	(1)	44	06-55-3760	Special Hex Nut	(1)
15	02-04-0645	Ball Bearing	(1)	45	06-97-3010	Internal Lock Washer	(1)
16	18-11-0070	120 Volt Field	(1)	46	45-88-7175	Washer	(1)
17	16-10-0571	120 Volt Armature	(1)	47	06-82-8844	8-32 x 3/8" Pan Hd. Sems T-20	(4)
18	22-84-0760	Fan Assembly	(1)	48	43-11-0060	Lower Drum Section	(1)
19	02-04-0847	Ball Bearing	(1)	49	38-50-5055	Spindle Assembly	(1)
20	06-82-7393	7-18 x 2" Pan Hd. Slit. Plast. T-20	(2)	50	43-54-0320	Hand Guard Assembly	(1)
21	44-76-0210	Cord Protector	(1)	51	34-60-1312	Retaining Ring	(1)
22	22-64-3180	Cord Set	(1)	★52	48-66-0270	Chuck	(1)
23	28-28-1940	Diaphragm	(1)	53	31-53-0110	Plug	(1)
24	45-12-0216	Shield	(1)	54	14-38-0550	Motor Housing Assembly	(1)
25	02-50-1210	Needle Bearing	(1)	55	06-82-7212	4-20 x 1/4" Pan Hd. Plast. T-10	(1)
26	45-88-7301	Heat Treated Washer	(1)				
27	32-40-1950	Intermediate Gear	(1)				
28	36-66-4370	Intermediate Pinion Shaft	(1)				
29	02-04-0640	Ball Bearing	(1)				
30	02-50-1620	Needle Bearing	(1)				

FIG. LUBRICATION
33 1-1/4 Oz. Type "E" Grease, No. 49-08-4122. Place near Intermediate shaft ball bearing in gear case.

MILWAUKEE ELECTRIC TOOL CORPORATION
13135 W. LISBON RD., BROOKFIELD, WI 53005
Drwg. 1