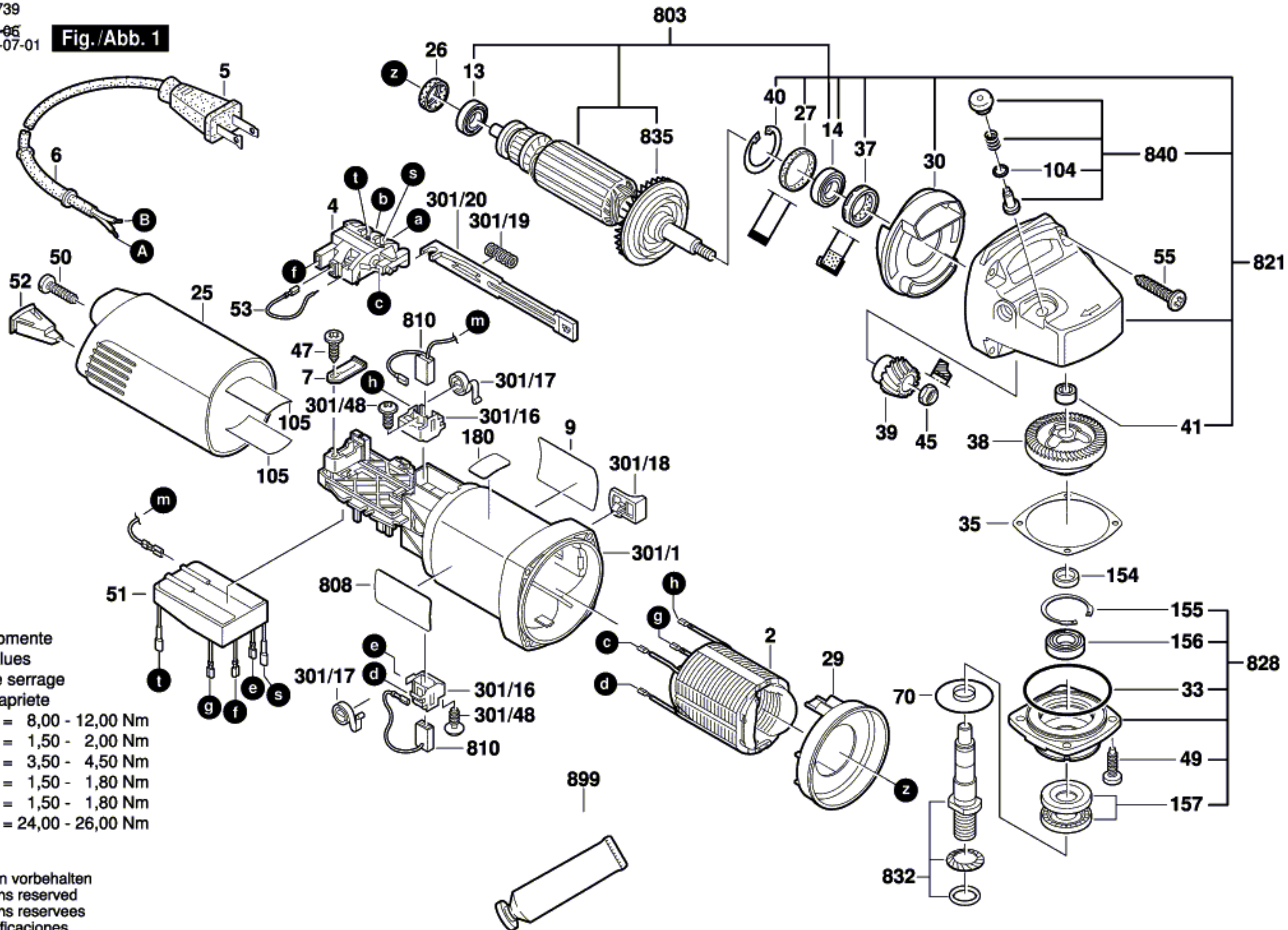


0 601 773 739

Stand } 08-06
Issue } 09-07-01

Fig./Abb. 1



Anzugsmomente
Torque values
Couple de serrage
Pares de apriete

Pos. 45 = 8,00 - 12,00 Nm
47 = 1,50 - 2,00 Nm
49 = 3,50 - 4,50 Nm
50 = 1,50 - 1,80 Nm
55 = 1,50 - 1,80 Nm
207 = 24,00 - 26,00 Nm

Änderungen vorbehalten
Modifications reserved
Modifications reserves
Salvo modificaciones