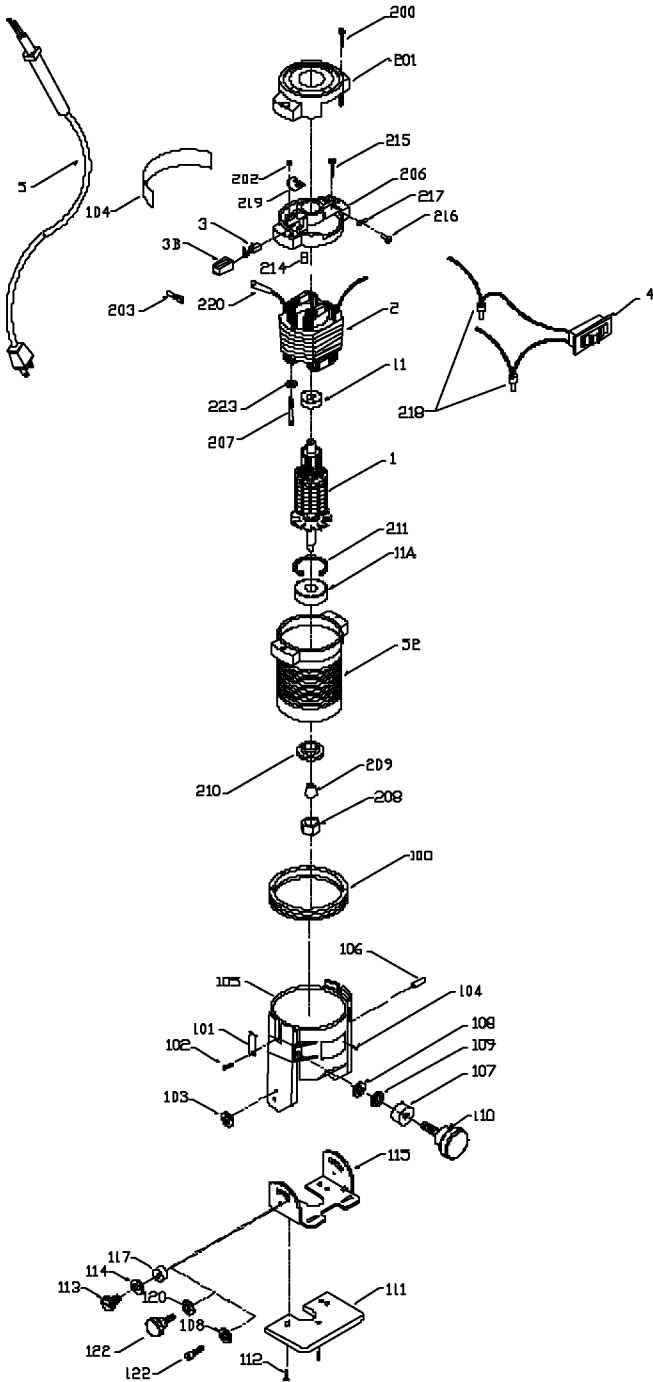


PORTER-CABLE

TILTBASE LAMINATE TRIMMER

WARNING: Electrical repairs should only be attempted by trained repairmen. Contact the nearest Porter-Cable Service Center or other

319
3191



Parts List for 3191 Type 1

| Item Number | Part Number | Description | Qty Required |
|-------------|-------------|---------------------|--------------|
| 1 | 868830 | KIT | 1 |
| 1 | 000000-00 | No Longer Available | 1 |
| 1 | 845339 | FAN | 1 |
| 2 | 000000-00 | No Longer Available | 1 |
| 2 | 000000-00 | No Longer Available | 1 |
| 3 | 868866 | BRUSH | 2 |
| 3 | 844703 | HOLDER | 1 |
| 4 | 911374 | SWITCH | 1 |
| 5 | 875699 | CORD | 1 |
| 5 | 000000-00 | No Longer Available | 1 |
| 11 | 802341SV | BALL BEARING | 3 |
| 11 | 874538SV | BALL BEARING | 3 |
| 52 | 844483 | MTR HOUSING | 1 |
| 100 | 697468 | RING | 1 |
| 101 | 844648 | SPRING CLIP | 10 |
| 102 | 858008 | SCREW | 10 |
| 103 | 858792 | WASHER | 10 |
| 104 | 801374 | SCREW | 10 |
| 105 | 693898 | BASE | 1 |
| 106 | 840109 | PIN | 10 |
| 107 | 878884 | FIXED PULLEY | 10 |
| 108 | 802318 | WASHER | 10 |
| 109 | 858420 | WASHER | 10 |
| 110 | 693885 | THUMB SCREW | 10 |
| 111 | 698258 | SUB BASE | 1 |
| 112 | 873982 | SCREW | 10 |
| 112 | 802768 | SCREW | 10 |

COPYRIGHT© 2005. All Rights Reserved.

Parts list, pricing, and availability subject to change. Please visit www.dewaltservicenet.com for current parts information.

Parts List for 3191 Type 1

| Item Number | Part Number | Description | Qty Required |
|-------------|-------------|---------------------|--------------|
| 113 | 689229 | SCREW | 10 |
| 113 | 688860 | SCREW | 10 |
| 114 | 000000-00 | No Longer Available | 10 |
| 115 | 693900 | TILT BRACKET | 1 |
| 116 | 000000-00 | No Longer Available | 1 |
| 117 | 878884 | FIXED PULLEY | 10 |
| 117 | 694682 | SPACER | 10 |
| 120 | 000000-00 | No Longer Available | 10 |
| 122 | 693886 | THUMB SCREW | 10 |
| 200 | 878389 | SCREW | 10 |
| 201 | 810006 | CAP | 1 |
| 202 | 844705 | RETAINER | 10 |
| 203 | 866312 | TERMINAL | 1 |
| 206 | 886629 | INTERMEDIATE HSG T4 | 1 |
| 207 | 802607 | SCREW | 10 |
| 208 | 691257 | NUT COLLET | 10 |
| 209 | 684718 | COLLET | 1 |
| 210 | 844643 | RETAINER | 10 |
| 211 | 802302 | RING | 10 |
| 214 | 810425 | PLUG | 1 |
| 215 | 877817 | SCREW | 10 |
| 216 | 844107 | SCREW | 10 |
| 217 | 849314 | TERM | 1 |
| 218 | 682063 | CONNECTOR VS | 1 |
| 219 | 845620 | BR HLDR RETAIN | 2 |
| 220 | 846755 | INSULATOR | 1 |
| 223 | 802648 | WASHER | 10 |

COPYRIGHT© 2005. All Rights Reserved.

Parts list, pricing, and availability subject to change. Please visit www.dewaltservicenet.com for current parts information.

Parts List for 3191 Type 1

| Item Number | Part Number | Description | Qty Required |
|-------------|-------------|---------------------|--------------|
| 224 | 683875 | WRENCH OPEN END | 1 |
| 224 | 683875 | WRENCH OPEN END | 1 |
| 225 | 000000-00 | No Longer Available | 1 |

COPYRIGHT© 2005. All Rights Reserved.

Parts list, pricing, and availability subject to change. Please visit www.dewaltservicenet.com for current parts information.