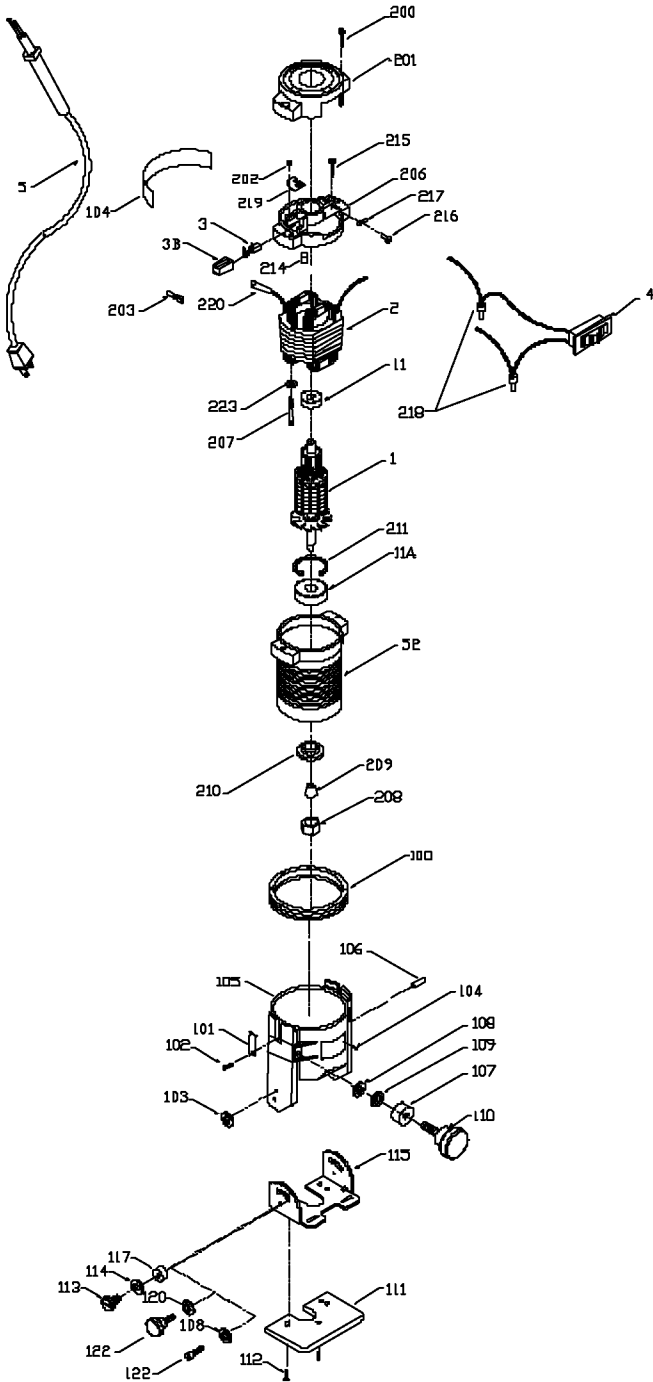


# PORTER-CABLE

## TILTBASE LAMINATE TRIMMER

WARNING: Electrical repairs should only be attempted by trained repairmen. Contact the nearest Porter-Cable Service Center or other

319  
3191



## Parts List for J-319 Type 2

Item Number	Part Number	Description	Qty Required
1	872645	ARMATURE	1
1	000000-00	No Longer Available	1
1	845339	FAN	1
2	000000-00	No Longer Available	1
2	872650	FIELD	1
3	868866	BRUSH	2
3	844703	HOLDER	1
4	911374	SWITCH	1
5	875699	CORD	1
5	000000-00	No Longer Available	1
11	802341SV	BALL BEARING	3
11	874538SV	BALL BEARING	3
52	844483	MTR HOUSING	1
100	697468	RING	1
101	844648	SPRING CLIP	10
102	858008	SCREW	10
103	858792	WASHER	10
104	801374	SCREW	10
105	693898	BASE	1
106	840109	PIN	10
107	878884	FIXED PULLEY	10
108	802318	WASHER	10
109	858420	WASHER	10
110	693885	THUMB SCREW	10
111	698258	SUB BASE	1
112	873982	SCREW	10
112	802768	SCREW	10

COPYRIGHT© 2005. All Rights Reserved.

Parts list, pricing, and availability subject to change. Please visit [www.dewaltservicenet.com](http://www.dewaltservicenet.com) for current parts information.

## Parts List for J-319 Type 2

Item Number	Part Number	Description	Qty Required
113	689229	SCREW	10
113	688860	SCREW	10
114	000000-00	No Longer Available	10
115	693900	TILT BRACKET	1
116	000000-00	No Longer Available	1
117	878884	FIXED PULLEY	10
117	694682	SPACER	10
120	000000-00	No Longer Available	10
122	693886	THUMB SCREW	10
200	878389	SCREW	10
201	810006	CAP	1
202	844705	RETAINER	10
203	866312	TERMINAL	1
206	886629	INTERMEDIATE HSG T4	1
207	802607	SCREW	10
208	691257	NUT COLLET	10
209	684718	COLLET	1
210	844643	RETAINER	10
211	802302	RING	10
214	810425	PLUG	1
215	877817	SCREW	10
216	844107	SCREW	10
217	849314	TERM	1
218	682063	CONNECTOR VS	1
219	845620	BR HLDR RETAIN	2
220	846755	INSULATOR	1
223	802648	WASHER	10

COPYRIGHT© 2005. All Rights Reserved.

Parts list, pricing, and availability subject to change. Please visit [www.dewaltservicenet.com](http://www.dewaltservicenet.com) for current parts information.

## Parts List for J-319 Type 2

Item Number	Part Number	Description	Qty Required
224	683875	WRENCH OPEN END	1
224	683875	WRENCH OPEN END	1
225	000000-00	No Longer Available	1

COPYRIGHT© 2005. All Rights Reserved.

Parts list, pricing, and availability subject to change. Please visit [www.dewaltservicenet.com](http://www.dewaltservicenet.com) for current parts information.