



# Operating Instructions and Parts Manual

## Variable Speed Drill Press

Model JDP-20EVS



**WALTER MEIER (Manufacturing) Inc.**

427 New Sanford Road  
LaVergne, Tennessee 37086  
Ph.: 800-274-6848  
[www.waltermeier.com](http://www.waltermeier.com)

**Part No. M-354210**

Revision G2 12/2010

Copyright © 2010 Walter Meier (Manufacturing) Inc.

# Warranty and Service

Walter Meier (Manufacturing) Inc., warrants every product it sells. If one of our tools needs service or repair, one of our Authorized Service Centers located throughout the United States can give you quick service. In most cases, any of these Walter Meier Authorized Service Centers can authorize warranty repair, assist you in obtaining parts, or perform routine maintenance and major repair on your JET® tools. For the name of an Authorized Service Center in your area call 1-800-274-6848.

## MORE INFORMATION

Walter Meier is consistently adding new products to the line. For complete, up-to-date product information, check with your local Walter Meier distributor, or visit [waltermeier.com](http://waltermeier.com).

## WARRANTY

JET products carry a limited warranty which varies in duration based upon the product (MW = Metalworking, WW = Woodworking).

<b>90</b> DAY WARRANTY	<b>1</b> YEAR WARRANTY	Body Repair Kits Bottle Jacks Cable Pullers Cold Saws Hoists-Air Hoists-Electric Metal forming Mill/Drills Milling Machines MW Bandsaws MW Drill Presses MW Finishing Equipment MW Lathes MW Precision Vises	<b>2</b> YEAR WARRANTY	Palet Trucks Rigging Equip. Service Jacks Stackers Surface Grinders Tapping Trolleys-Air Trolleys-Electric Web Slings Winches-Electric	<b>3</b> YEAR WARRANTY	WW Benchtop Tools	<b>5</b> YEAR WARRANTY	Beam Clamps Chain Hoist- Manual Lever Hoists Pullers-JCH Models Scissor Lift Tables Screw Jacks Trolleys-Geared Trolleys-Plain Winches-Manual WW Air Filtration WW Bandsaws WW Buffers	WW Drill Presses WW Dust Collectors WW Dust Filters WW Dust Fittings WW Jointers WW Lathes WW Planers WW Sanders WW Shapers WW Tablesaws	<b>LIFE</b> LIFETIME WARRANTY	Fastening Tools Mechanics Hand Tools Striking Tools Vises (no -precision) Clamps
<i>Warranty reverts to 1 Year Warranty if woodworking (WW) products listed above are used for industrial or educational purposes.</i>											

## WHAT IS COVERED?

This warranty covers any defects in workmanship or materials subject to the exceptions stated below. Cutting tools, abrasives and other consumables are excluded from warranty coverage.

## WHO IS COVERED?

This warranty covers only the initial purchaser of the product.

## WHAT IS THE PERIOD OF COVERAGE?

The general JET warranty lasts for the time period specified in the product literature of each product.

## WHAT IS NOT COVERED?

Five Year Warranties do not cover woodworking (WW) products used for commercial, industrial or educational purposes. Woodworking products with Five Year Warranties that are used for commercial, industrial or education purposes revert to a One Year Warranty. This warranty does not cover defects due directly or indirectly to misuse, abuse, negligence or accidents, normal wear-and-tear, improper repair or alterations, or lack of maintenance.

## HOW TO GET SERVICE

The product or part must be returned for examination, postage prepaid, to a location designated by us. For the name of the location nearest you, please call 1-800-274-6848.

You must provide proof of initial purchase date and an explanation of the complaint must accompany the merchandise. If our inspection discloses a defect, we will repair or replace the product, or refund the purchase price, at our option. We will return the repaired product or replacement at our expense unless it is determined by us that there is no defect, or that the defect resulted from causes not within the scope of our warranty in which case we will, at your direction, dispose of or return the product. In the event you choose to have the product returned, you will be responsible for the shipping and handling costs of the return.

## HOW STATE LAW APPLIES

This warranty gives you specific legal rights; you may also have other rights which vary from state to state.

## LIMITATIONS ON THIS WARRANTY

WALTER MEIER (MANUFACTURING) INC., LIMITS ALL IMPLIED WARRANTIES TO THE PERIOD OF THE LIMITED WARRANTY FOR EACH PRODUCT. EXCEPT AS STATED HEREIN, ANY IMPLIED WARRANTIES OR MERCHANTABILITY AND FITNESS ARE EXCLUDED. SOME STATES DO NOT ALLOW LIMITATIONS ON HOW LONG THE IMPLIED WARRANTY LASTS, SO THE ABOVE LIMITATION MAY NOT APPLY TO YOU.

WALTER MEIER SHALL IN NO EVENT BE LIABLE FOR DEATH, INJURIES TO PERSONS OR PROPERTY, OR FOR INCIDENTAL, CONTINGENT, SPECIAL, OR CONSEQUENTIAL DAMAGES ARISING FROM THE USE OF OUR PRODUCTS. SOME STATES DO NOT ALLOW THE EXCLUSION OR LIMITATION OF INCIDENTAL OR CONSEQUENTIAL DAMAGES, SO THE ABOVE LIMITATION OR EXCLUSION MAY NOT APPLY TO YOU.

Walter Meier sells through distributors only. The specifications in Walter Meier catalogs are given as general information and are not binding. Members of Walter Meier reserve the right to effect at any time, without prior notice, those alterations to parts, fittings, and accessory equipment which they may deem necessary for any reason whatsoever. JET®-branded products are not sold in Canada by Walter Meier.

# Table of Contents

Warranty and Service .....	2
Table of Contents .....	3
Warning.....	4
Introduction .....	5
Specifications .....	5
Unpacking and Clean-Up.....	6
Lifting the JDP-20EVS .....	6
Installation .....	6
Electrical Connections.....	7
Raising the Head .....	8
Adjustments .....	9
Raising the Rack.....	9
Rotating the Table.....	9
Control Panel.....	9
Drill Speed Chart .....	12
Lubrication.....	12
Replacement Parts .....	12
Top Head Assembly.....	13
Parts List: Top Head Assembly .....	14
Head Assembly.....	16
Parts List: Head Assembly .....	17
Control Panel Assembly.....	18
Parts List: Control Panel Assembly.....	19
Electrical Cabinet Assembly .....	20
Parts List: Electrical Cabinet Assembly.....	21
Column/Table/Base Assembly.....	21
Parts List: Column/Table/Base Assembly .....	23
Coolant Pump Assembly .....	25
Electrical Cabinet .....	26
Wiring Diagram – 460 Volt, 3 Phase.....	27
Wiring Diagram – 230 Volt, 1 & 3 Phase.....	28



# Warnings

**For your own safety, read the owner's manual before operating the drill press.**

**This drill press is designed and intended for use by properly trained and experienced personnel only. If you are not familiar with the proper and safe operation of a drill press, do not use until proper training and knowledge has been obtained.**

- **KEEP GUARDS IN PLACE** and in working order.
- **KEEP ALL BODY PARTS AWAY FROM MOVING PARTS.** Avoid placing any part of your body near belts, cutters, gears, etc.
- **REMOVE ADJUSTING KEYS AND WRENCHES.** Form a habit of checking to see that keys and adjusting wrenches are removed from the machine before turning it on.
- **KEEP THE WORK AREA CLEAN.** Cluttered areas and work benches invite accidents.
- **DON'T USE IN A DANGEROUS ENVIRONMENT.** Don't use power tools in damp or wet locations, or expose them to rain. Keep work area well lighted.
- **KEEP CHILDREN AWAY.** All visitors should be kept a safe distance from the work area.
- **MAKE THE WORKSHOP KID PROOF** with padlocks, master switches, or by removing starter keys.
- **DON'T FORCE THE MACHINE.** It will do the job better and more safely at the rate for which it was designed.
- **USE THE RIGHT MACHINE.** Don't force a machine or attachment to do a job for which it was not designed.
- **USE THE PROPER EXTENSION CORD.** Make sure your extension cord is in good condition. When using an extension cord, be sure to use one heavy enough to carry the current your machine will draw. An undersized cord will cause a drop in the line voltage resulting in power loss and overheating. If in doubt, use the next heavier gauge. Remember, the smaller the gauge number, the heavier the cord.
- **WEAR PROPER APPAREL.** Do not wear loose clothing, gloves, neckties, rings, bracelets, or other jewelry which may get caught in moving parts. Non-slip footwear is recommended. Wear protective hair covering to contain long hair.
- **ALWAYS USE SAFETY GLASSES.** Also use face or dust masks if the cutting operation is dusty. Everyday eyeglasses only have impact resistant lenses; they are not safety glasses.
- **DON'T OVERREACH.** Keep proper footing and balance at all times.
- **MAINTAIN TOOLS WITH CARE.** Keep tools sharp and clean for the best and safest performance. Follow instructions for lubricating and changing accessories.
- **ALWAYS DISCONNECT THE MACHINE FROM THE POWER SOURCE BEFORE SERVICING.**
- **REDUCE THE RISK OF UNINTENTIONAL STARTING.** Make sure the switch is in the off position before plugging in.
- **NEVER STAND ON A MACHINE.** Serious injury could occur if the machine tips or if the drill bit is unintentionally contacted.
- **CHECK DAMAGED PARTS.** Before further use of the machine, a guard or other part that is damaged should be carefully checked to determine that it will operate properly and perform its intended function - check for alignment of moving parts, binding of moving parts, breakage of parts, mounting, and any other conditions that may affect its operation. A guard or other part that is damaged should be properly repaired or replaced.
- **NEVER LEAVE THE MACHINE RUNNING UNATTENDED. TURN POWER OFF.** Don't leave the machine until it comes to a complete stop.

# Introduction

This manual is provided by Walter Meier (Manufacturing) Inc., covering the safe operation and maintenance procedures for a JET Model JDP-20EVS Drill Press. This manual contains instructions on installation, safety precautions, general operating procedures, maintenance instructions and parts breakdown. This machine has been designed and constructed to provide years of trouble free operation if used in accordance with instructions set forth in this manual. If there are any questions or comments, please contact either your local supplier or Walter Meier. Walter Meier can also be reached at our web site: [www.waltermeier.com](http://www.waltermeier.com).

# Specifications

Model Number.....	<b>JDP-20EVS/230</b> .....	<b>JDP-20EVS/460</b>
Stock Number.....	354210.....	354212
Drilling Capacity		
Cast Iron (in.).....	1-1/2.....	1-1/2
Steel (in.).....	1-3/8.....	1-3/8
Column Diameter (in.).....	4-1/2.....	4-1/2
Spindle to Column (maximum – in.) .....	10-7/16.....	10-7/16
Spindle Travel (in.) .....	6.....	6
Spindle Taper.....	MT-3.....	MT-3
Max. Distance Spindle to Table (in.).....	30-1/4.....	30-1/4
Max. Distance Spindle to Base (in.) .....	43-5/16.....	43-5/16
Table:		
Overall Size (in.).....	22 x 18-3/4.....	22 x 18-3/4
Working Surface (in.).....	18-1/8 x 14-3/4.....	18-1/8 x 14-3/4
Table Travel (in.).....	18.....	18
Number of T-Slots.....	2.....	2
Table T-Slot Size (in.).....	5/8.....	5/8
Table T-Slot Centers (in.) .....	7-7/16.....	7-7/16
Base:		
Overall Size (LxWxH/in.).....	27-1/2 x 19-1/4 x 6-1/8.....	27-1/2 x 19-1/4 x 6-1/8
Base Work Table (in.).....	14-3/4 x 11-13/16.....	14-3/4 x 11-13/16
Number of T-Slots.....	2.....	2
Base T-Slot Size (in.).....	5/8.....	5/8
Base T-Slot Centers (in.).....	7-7/16.....	7-7/16
Number of Spindle Speeds.....	Variable.....	Variable
Range of Spindle Speeds (RPM) .....	65-2,000.....	65-2,000
Main Motor.....	TEFC 2HP, 3PH, <b>230V Only</b> , 7A.....	TEFC 2HP, 3PH, <b>460V Only</b> , 3.5A
Coolant Motor.....	1/8 HP, 1Ph.....	1/8 HP, 3Ph
Overall Height (in.).....	83.....	83
Net Weight (approx. – lbs.) .....	722.....	722
Floor Space Required (LxW/in).....	37 x 37.....	37 x 37

The above specifications were current at the time this manual was published, but because of our policy of continuous improvement, Walter Meier reserves the right to change specifications at any time and without prior notice, without incurring obligations.

**⚠WARNING** Read and understand the entire contents of this manual before attempting set-up or operation. Failure to comply may cause serious injury.

## Unpacking and Clean-Up

1. Remove the shipping crate.
2. Remove the protective coating from all rust protected surfaces with a soft cloth moistened with kerosene or a mild solvent. Do not use acetone, gasoline, or paint thinner, as these may damage painted surfaces.
3. To prevent rust, apply a thin coat of metal sealer to the table.

## Lifting the JDP-20EVS

**⚠WARNING** Keep people a safe distance away from the drill press while it is being moved. Failure to comply may cause damage to property and/or serious bodily injury.

1. Make sure the two head locking bolts (refer to A, Fig. 4) are tight prior to lifting.
2. Position the JDP-20EVS next to the area that will be used for the machine.
3. The "Lifting Point" should be used to raise the drill press off of the shipping pallet.
4. Lift the machine at the "Lifting Point" with a forklift. Use a 2x4 on the fork to protect the head.

**NOTE:** You should remove the coolant hose holder so that it is not damaged during lifting.

## Installation

The drill press must be located in a dry, well-lighted area with adequate room on all sides of the machine. The floor must be level and the drill press must rest solidly on the floor. The most accurate and vibration free operation will require the drill press to be bolted to the floor. While this is not absolutely necessary, it is highly recommended. Place shims near the four bolt holes to level the drill press, if necessary. Figure 2 shows the hole dimensions of the base. Equal pressure should be applied to all four nuts when tightening to prevent distortion of the base.

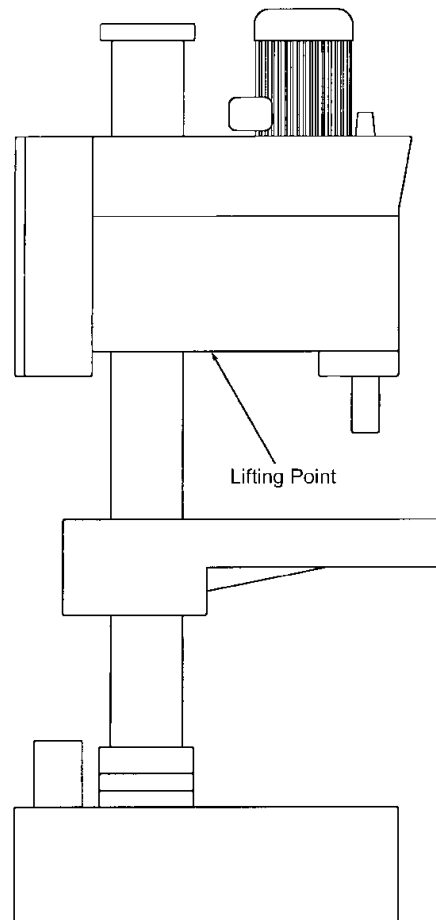


Figure 1

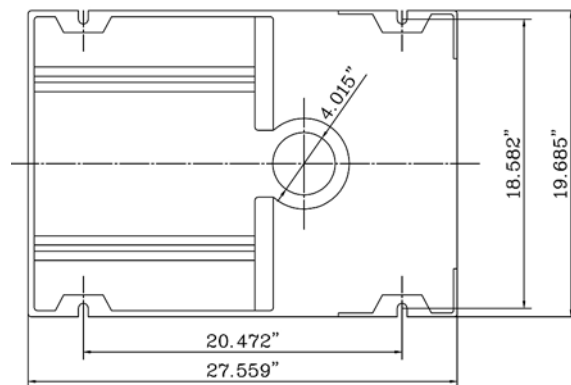


Figure 2

## Electrical Connections

**⚠WARNING** A qualified electrician must complete all electrical connections. All adjustments or repairs must be done with the drill disconnected from the power source. Failure to comply may result in serious injury.

The motor for the JDP-20EVS/230 is rated at 2HP, 3PH **230V only**. The machine can also be run on 1-Phase power by hooking up the ground, L1 and L2 wires, as explained below.

The motor for the JDP-20EVS/460 is rated at 2HP, 3PH, **460V only**.

The JDP-20EVS Drill Press is not supplied with a power cord. To connect power, you may either install a power cord with a UL/CSA listed plug, or hard wire the machine directly to a service panel.

If the drill press is to be hard-wired to a panel, make sure a disconnect is available for the operator. (During hard-wiring of the machine, make sure the fuses have been removed or the breakers have been tripped in the circuit to which the drill press will be connected.)

If using a power cord, strip back the cord until about 3 to 4 inches of the lead wires are exposed. Slide a grommet onto the cord to be installed later in the control box hole, to prevent stress to the power cord.

1. Bring the lead wires through the hole in the side of the control box and connect as follows (refer to Figure 3):
2. If your incoming power is **single phase**, connect the two leads to L1 and L2, and the green ground wire to the grounding screw.
3. If your incoming power is **three phase**, connect the three leads to L1, L2 and L3, and the green ground wire to the grounding screw.

***This drill press must be properly grounded.*** Make sure the green ground wire is secured to the grounding screw as described.

Make sure the power available matches the power requirement of the drill. When the drill is connected properly, the spindle turns clockwise in a conventional drilling rotation. If the spindle does not turn clockwise, disconnect the drill from the power supply and reverse two of the three power leads (except ground wire *green*).

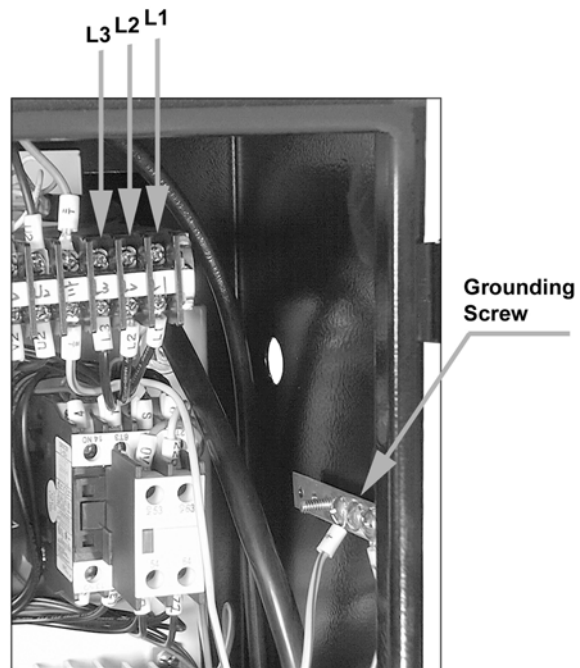


Figure 3

## Raising the Head

The drill press head is lowered on the column for crating and transportation. Before operating the drill press, the head will need to be raised to the operational level.

To raise the head:

1. Loosen the two head locking bolts (A, Figure 4) by turning counterclockwise. *Make sure the two screws (C, Figure 4) in the lock collar (B) are tight.*
2. Take the head and turn it slightly from side to side (Figure 5) to loosen the rust prevention solution on the column
3. Loosen the table lock by placing the handle on the crankshaft (A, Fig. 7) and rotating the handle counter-clockwise
4. Cut a 2x4 approximately 16" in length.
5. Raise the table by placing handle on crankshaft (B or C, Figure 7) and rotating clockwise. Snug the 2x4 between the table and the head as close to the column as possible. **Caution:** Do not place the 2x4 under the lock collar (B, Fig. 6).
6. Use the table lift crank on a shaft (B or C, Fig. 7) to raise the head and 2x4 until the head bore and the column are flush. **CAUTION:** When the head bore and the column cap are flush, the head cannot be raised anymore. Use a ladder to observe the column through the top of the belt cover.
7. Tighten the two head locking bolts (A, Fig. 4). This will hold the head in place until the lock collar can be moved into position. The 2x4 can now be safely removed.
8. After the head is set at the desired height, loosen two set screws (C, Fig. 4) on the lock collar.
9. Slide the lock collar up the column until it is flush with the head.
10. Firmly tighten the two setscrews on the lock collar (C, Fig. 4).

To lower the head, reverse the steps above. **Do not** loosen the head locking bolts without supporting the head.

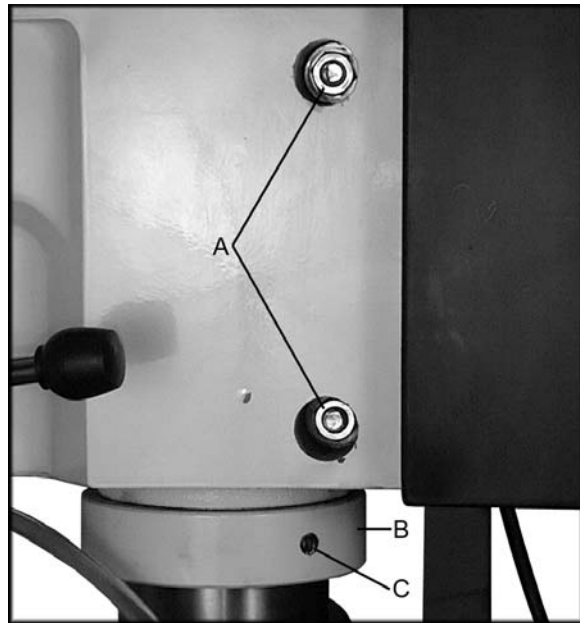


Figure 4

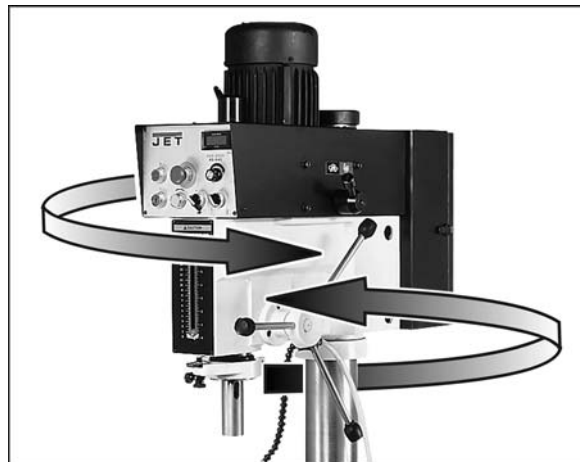


Figure 5

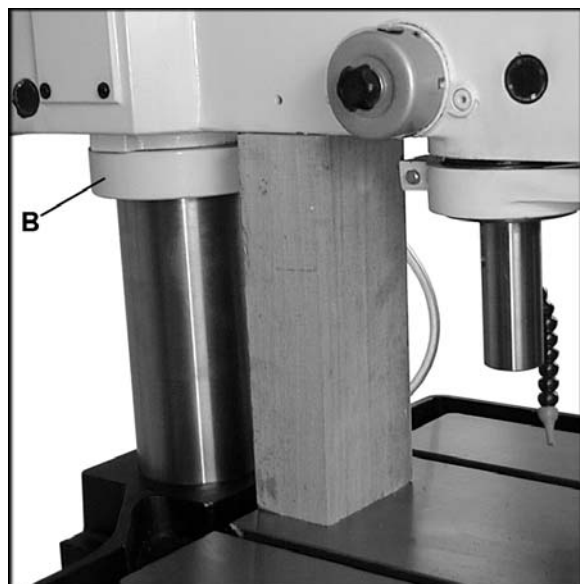


Figure 6



# Adjustments

## Raising the Rack

Some drilling operations will require the table to be moved closer to the spindle than the rack will allow as set by the factory. To raise the rack:

1. Tighten the table lock handle (A, Fig. 7).
2. Loosen two set screws (A, Fig. 8) on the column bearing collar (B, Fig. 8). **Caution:** Do not loosen the two setscrews with lock nuts (C, Fig. 8).
3. Raise the rack (D, Fig. 8) by placing the handle on crankshaft (refer to B or C, Fig. 7) and rotating clockwise to the desired level.
4. Tighten the two set screws (A, Fig. 8) to keep the rack in position.
5. Now the table can be raised to the desired position.

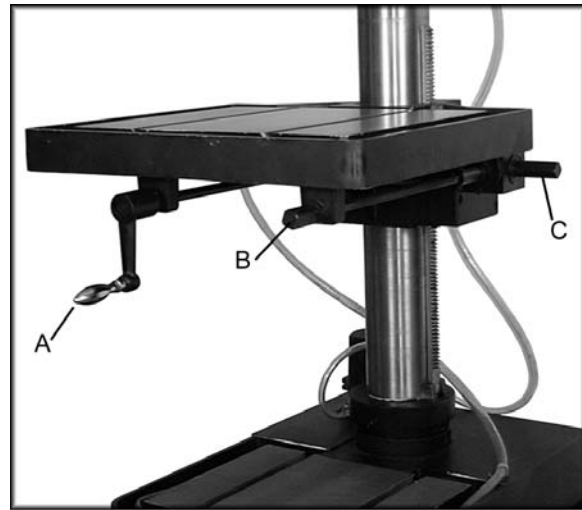


Figure 7

## Rotating the Table

The table can be rotated around the column to accommodate the workpiece.

1. Loosen the table lock handle (A, Fig. 7).
2. Pivot the table to a location you choose.
3. Tighten the table lock handle.

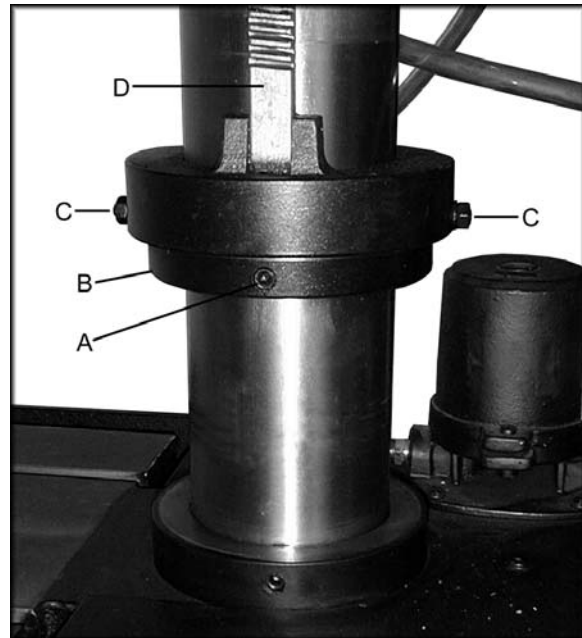


Figure 8

## Control Panel

1. **Off Button** (1, Fig. 9) This will stop the motor.
2. **On Button** (2, Fig. 9) Activates the motor in the drill or tap mode.
3. **Emergency Stop Button** (3, Fig. 9) Disconnects the power to the motor. Reset the button by turning 90° clockwise.
4. **Tap Reverse Button** (4, Fig. 9) Reverses the spindle rotation and the tap withdraws. Works only in the tap mode.
5. **Coolant Switch** (5, Fig. 9) Turns the coolant pump on while in drill or tap mode.
6. **Changing Spindle Speeds RPM** (6, Fig. 9) To change spindle speeds, turn the speed control knob until the read-out shows the desired speed.
7. **Drill/Tap Switch** (7, Fig. 9) Turn the switch to the left for the drill function. Turn the switch to the right for tap function.



Figure 9

8. **High-Low Handle** (8, Fig. 9) Turn to the right to select the high motor speed. Turn to the left to select the low motor speed. Change high-low handle only after stopping motor.

**NOTE:** The Electronic Variable Speed unit is designed to shut down, to prevent harm to the system, in the event of overloading the spindle. Make sure the Speed Control Knob and the High-Low Handle are in the matching ranges for the work being done. Drilling large holes requires the High-Low Handle to be in 'Low' mode and the Speed Control Knob to be selecting a speed that is high enough to power the large bit.



Figure 9

### Adjusting the Depth Stop for Drilling

Place the drill/tap switch (7, Fig. 10) in the drill mode. Adjust the zero reading on the scale as follows:

1. Lower the quill to the bottom of its stroke by turning the handle (A, Fig. 10) counter-clockwise until it stops, and hold in that position.
2. To set the zero, loosen lock knob (B, Fig. 10). Turn the knurled knob (C, Fig. 10) until the pointer reads zero.
3. To set the depth stop, turn the knurled knob (C, Fig. 10) to the desired setting. Tighten lock knob (B, Fig. 10). The quill will now advance to this setting.

### Adjusting the Depth Stop for Tapping

Place the drill/tap switch in the tap mode. To adjust the depth stop for tapping, follow the instructions for adjusting the depth stop for drilling. The major differences in the tap mode are two micro-switches.

1. Advance the quill, releasing the upper limit switch for tapping.
2. The spindle will reverse directions upon triggering the lower limit switch.

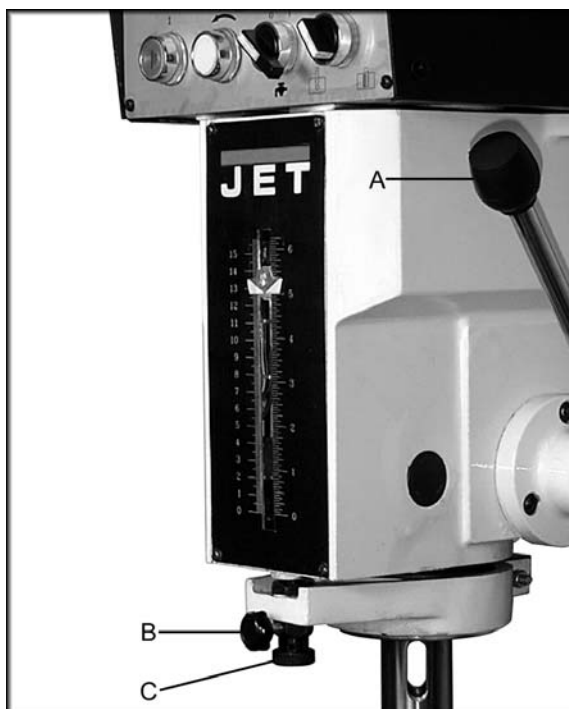


Figure 10

### Spindle Preparation

Thoroughly clean the inside of the spindle with a soft dry cloth. Also clean any taper or arbor to be used in the spindle. If these are not kept clean, the taper or arbor will not "seat" properly in the spindle and may drop out unexpectedly.

## Installing Tools into the Spindle Bore

1. Disconnect the machine from the power source.
2. Make sure the spindle bore and the tool are clean and free of oil.
3. Place a protective piece of scrap wood on the table.
4. Raise the table to approximately 8" to 10" below the spindle.
5. Insert the Morse Taper #3 tool into the spindle.
6. Lower the spindle, with the handle assembly, and seat the tool against the wood.

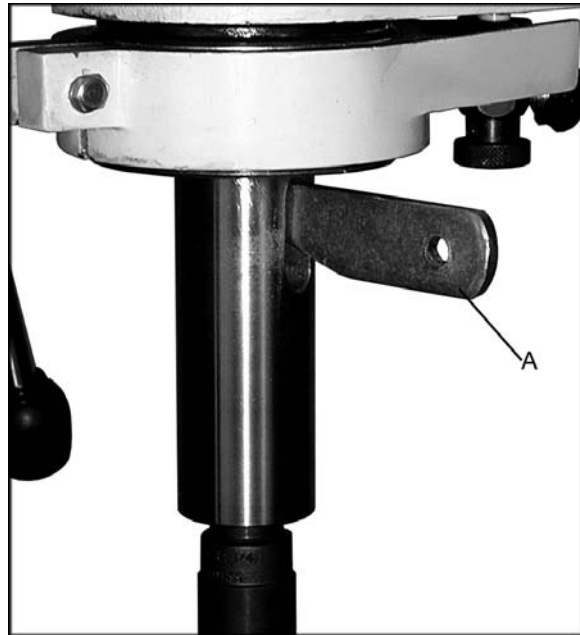


Figure 11

## Removing Tools from Spindle Bore

1. Disconnect the machine from the power source.
2. Place a protective piece of scrap wood on the table.
3. Raise the table to approximately 8" to 10" below the spindle.
4. Lower the spindle to expose the slots in the spindle wall.
5. Insert the drift key (A, Fig. 11) into the spindle slots and tap gently until the drill bit or chuck arbor loosens.

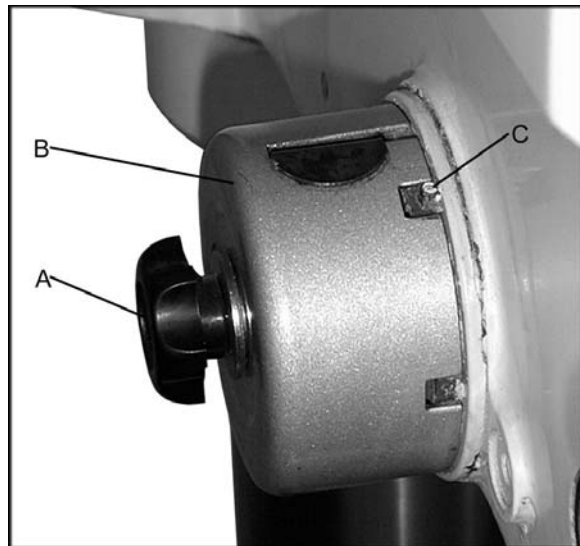


Figure 12

## Coolant Pump

The coolant tank should be filled with 2 gallons of a cutting coolant. Fill by pouring coolant into the base of the machine. Add coolant in the same manner when coolant is low. To drain coolant, remove hex cap screw located on the lower backside of the base. Follow all coolant manufacturer's instructions for safety, mixing disposal, etc.

Make sure the drain hose has a good tight connection into the table and that the coolant flows into the base.

Make sure the hose leaving the pump and entering the ball valve has good tight connections.

The flexible nozzle enables the user to adjust the coolant for each job. There is one ball valve that turns the coolant to the nozzle on, or off.

## Adjusting the Spindle Return Spring

The spindle return comes pre-set from the factory and should not need adjustment. If future attention is ever required, proceed as follows:

1. Do NOT remove the spring cap (B, Fig. 12).
2. Loosen knob (A, Fig. 12) just enough to rotate the spring cap past the notch (C, Fig. 12).
3. Rotate the spring cap clockwise to decrease spring tension. Rotate the spring cap counter-clockwise to increase spring tension.
4. Re-tighten the knob (A, Fig. 12).

## Drill Speed Chart

There are many variables when determining what RPM to use. Use the following drill speed chart to choose the approximate drill speed for the size bit, and type of material to be drilled. The chart is a general reference for a 90° cut in the workpiece using HSS (high-speed steel) tools. For more detailed information refer to the “Machinery’s Handbook.”

	1/8"	1/4"	3/8"	1/2"	5/8"	3/4"	7/8"	1"	1-1/8"	1-1/4"
<b>Aluminum and Alloys</b>	2,000	2,000	2,000	2,000	1224-1834	1016-1528	876-1310	764-1146	680-1018	612-840
<b>Copper Alloys</b>	1833-2000	966-2000	611-1782	458-1336	366-1069	305-891	261-763	229-668	203-594	183-534
<b>Alloy Steels</b>	611-2000	305-1298	203-865	152-649	122-519	101-432	87-371	76-324	67-288	65-259

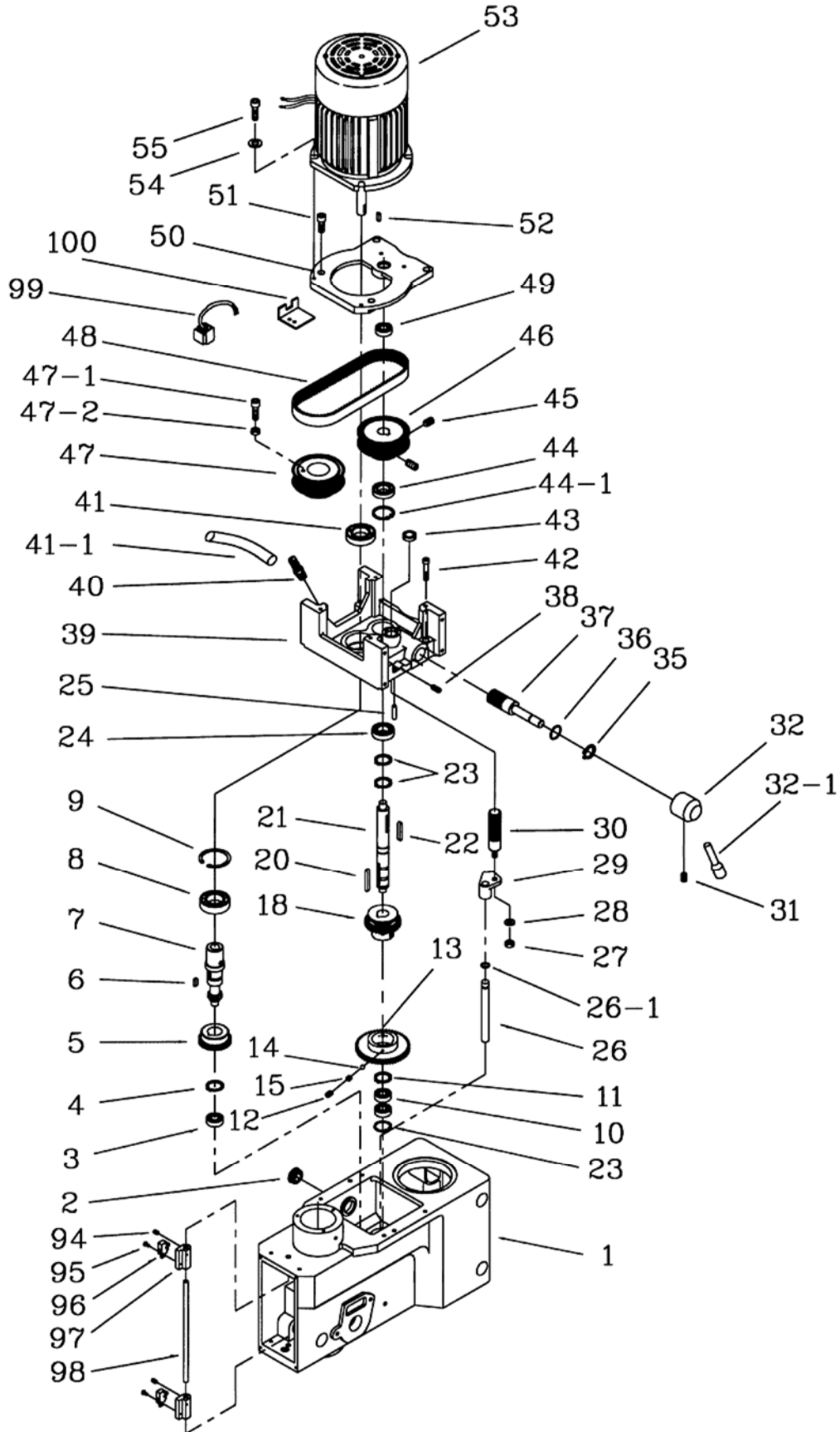
## Lubrication

Location	Type	Frequency
Top of spindle shaft under plastic cap	#2 lithium based tube grease	Monthly
Quill and column	Machine tool oil	Daily
Lift rack	20W non-detergent oil	Weekly (clean rack with kerosene before lubricating)
Table lift	Gear grease	Twice yearly (clean and regrease)
Behind oil fill label left side of head	Mobil DTE Heavy Medium	Change after 6 months and annually thereafter. Capacity 1 Quart. Drain plug is located in the cut away section on the bottom side of the head

## Replacement Parts

Replacement parts are listed on the following pages. To order parts or reach our service department, call 1-800-274-6848, Monday through Friday (see our website for business hours, [www.waltermeier.com](http://www.waltermeier.com)). Having the Model Number and Serial Number of your machine available when you call will allow us to serve you quickly and accurately.

# Top Head Assembly

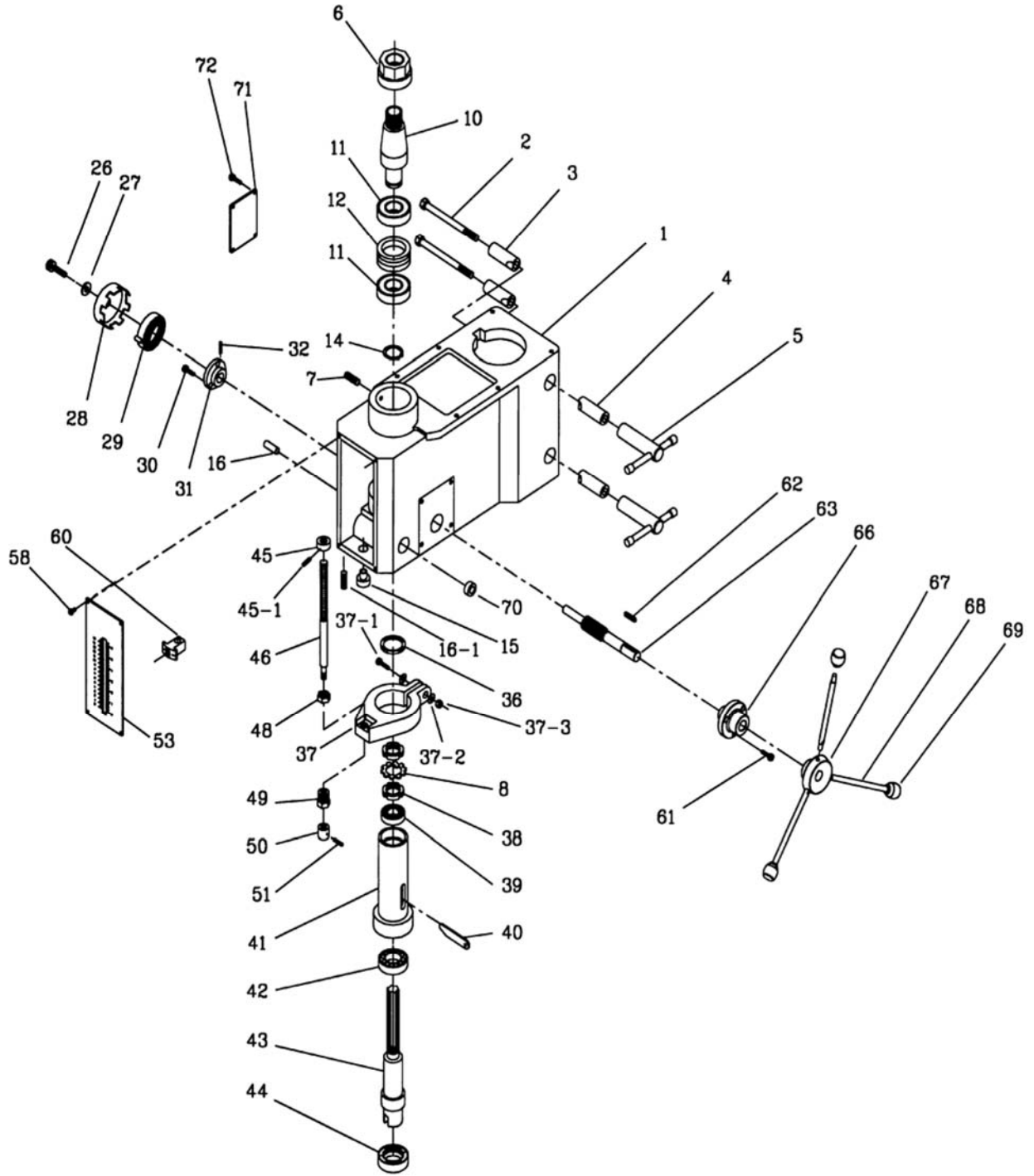


## Parts List: Top Head Assembly

Index No.	Part No.	Description	Size	Qty
1	20EVS-T01	Head Body		1
2	20EVS-T02	Sight Glass		1
3	BB-6202Z	Ball Bearing	6202Z	1
4	20EVS-T04	C-Clip	S31	1
5	20EVS-T05	Gear	M=2,T=32	1
6	20EVS-T06	Key	6x6x20	1
7	20EVS-T07	Drive Shaft	M=2,T=13	1
8	BB-6007Z	Ball Bearing	6007Z	1
9	20EVS-T09	C-Clip	R62	1
10	BB-6202	Ball Bearing	6202	1
11	20EVS-T11	C-Clip	S48	1
12	20EVS-T12	Set Screw	3/8"x1"	2
13	20EVS-T13	Gear	M=2,T=56	1
14	20EVS-T14	Steel Ball	M8	2
15	20EVS-T15	Spring		2
18	20EVS-T18	Gear	M=2,T=36	1
20	20EVS-T20	Key	7x7x55	1
21	20EVS-T21	Shaft		1
22	20EVS-T22	Key	7x7x15	1
23	20EVS-T23	C-Clip	S25	3
24	BB-6005	Ball Bearing	6005	1
25	20EVS-T25	Taper Pin	5x38	2
26	20EVS-T26	Rod		1
26-1	20EVS-T26-1	Oil Ring		1
27	20EVS-T27	Hex Nut	M10xP1.5	1
28	20EVS-T28	Lock Washer	M10	1
29	20EVS-T29	Speed Change Block		1
30	20EVS-T30	Screw Bar		1
31	20EVS-T31	Set Screw	3/8"x3/8"	1
32	20EVS-T32	Speed Lever		1
32-1	20EVS-T32-1	Handle		1
35	20EVS-T35	C-Clip	R30	1
36	20EVS-T36	Oil Ring	30x17x7	1
37	20EVS-T37	Gear Shaft		1
38	TS-1523031	Set Screw	M6x10	1
39	20EVS-T39	Gear Box		1
40	20EVS-T40	Oil Filter	3/8"x3/8"	1
41	20EVS-T41	Oil Seal	62x35x10	1
41-1	20EVS-T41-1	Tube		1
42	TS-1504091	Hex Socket Cap Screw	M8x45	4
43	20EVS-T43	Oil Seal		1
44	20EVS-T44	Oil Seal	25x47x28	1
44-1	20EVS-T44-1	C-Clip	R47	1
45	20EVS-T45	Set Screw	5/16"x3/8"	2
46	20EVS-T46	Drive Pulley	M=2,T=35	1
47	20EVS-T47	Spindle Pulley		1
47-1	20EVS-T47-1	Hex Socket Cap Screw	3/4"x3/16"	1
47-2	TS-0561081	Nut	3/4"	1
48	20EVS-T48	Belt	680xM8	1
49	BB-6202	Ball Bearing	6202	1
50	20EVS-T50	Motor Base		1
51	20EVS-T51	Screw	M8x20	4
52	20EVS-T52	Key	6x6x20	1

<b>Index No.</b>	<b>Part No.</b>	<b>Description</b>	<b>Size</b>	<b>Qty</b>
53.....	20EVS-230V.....	Motor.....	2HP, 3Ph, 230V.....	1
.....	20EVS-460V.....	Motor.....	2HP, 3Ph, 460V.....	1
.....	20EVS-230VF.....	Fan (not shown) .....	230V .....	1
.....	20EVS-460VF.....	Fan (not shown) .....	460V .....	1
.....	20EVS-460VFC .....	Fan Cover (not shown) .....	.....	1
54.....	TS-1550051 .....	Lock Washer .....	M8.....	3
55.....	TS-1515031 .....	Hex Socket Cap Screw.....	M8x25 .....	4
94.....	20EVS-T94 .....	Set Screw.....	1/4"x1/4".....	4
95.....	20EVS-T95 .....	Cross Head Screw.....	M3x16 .....	4
96.....	20EVS-T96 .....	Micro Switch.....	.....	2
97.....	20EVS-T97 .....	Micro Switch Bracket .....	.....	2
98.....	20EVS-T98 .....	Micro Switch Support Rod .....	.....	1
99.....	20EVS-T99 .....	Induction Switch .....	.....	1
100.....	20EVS-T100 .....	Switch Support Plate .....	.....	1

# Head Assembly

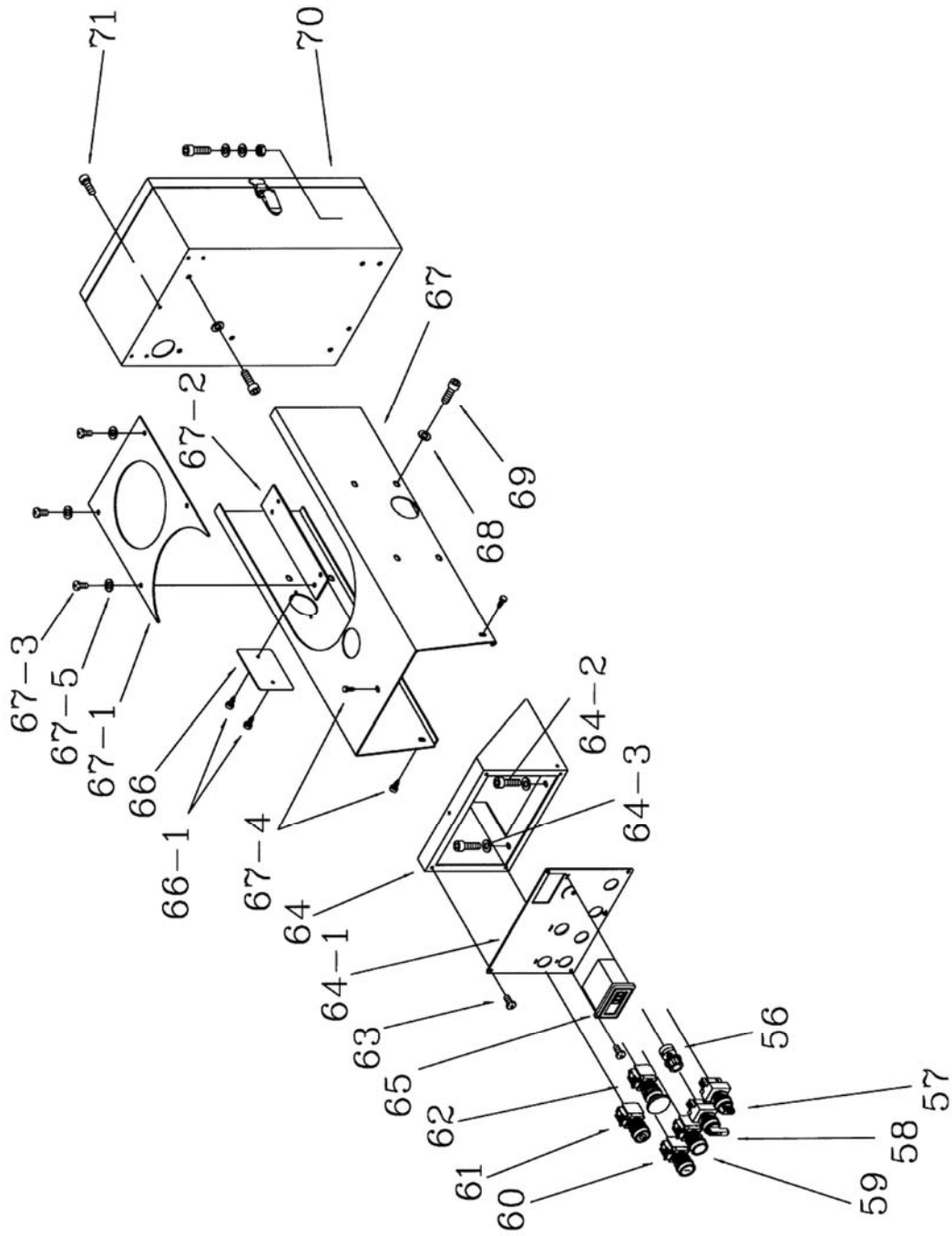




## Parts List: Head Assembly

Index No.	Part No.	Description	Size	Qty
1	20EVS-T01	Head Body		1
2	20EVS-H2	Hex Head Bolt	1/2"x4-1/2"	2
2-1	20EVS-H2-1	Spring		2
3	20EVS-H3	Left Lock Sleeve		2
4	20EVS-H4	Right Lock Sleeve		2
5	20EVS-H5	Lock Handle		1
5-1	20EVS-H5-1	Nut	1/2"	2
6	20EVS-H6	Top Nut		1
7	TS-1524031	Set Screw	M8x12	1
8	20EVS-H8	Star Washer		1
10	20EVS-H10	Spindle Taper Sleeve		1
11	BB-6009ZR	Ball Bearing	6009ZR	2
12	20EVS-H12	Bearing Spacer		1
14	20EVS-H14	C-Clip	S45	1
15	20EVS-H15	Screw Bushing		1
16	20EVS-H16	Quill support Block		1
16-1	20EVS-H16-1	Set Screw	M8x10	1
26	20EVS-H26	Screw		1
27	TS-0680041	Washer	3/8"x1"	1
28	20EVS-H28	Spring Cover w/Spring #29		1
29	20EVS-H29	Spring		1
30	20EVS-H30	Screw	3/16"x1/2"	3
31	20EVS-H31	Spring Base		1
32	20EVS-H32	Spring Pin		1
36	20EVS-H36	Rubber Spacer		1
37	20EVS-H37	Feed Base (serial no. 4030413 and higher)		1
37-1	20EVS-H37-1	Hex Cap Bolt	1/4"x2"	1
37-2	TS-0720071	Spring Washer	1/4"	2
37-3	TS-0561011	Nut	1/4"	1
37-4	20EVS-H37-4	Screw	1/4"x5/16"	1
38	20EVS-H38	Jam Nut		2
39	20EVS-H39	Taper Roller Bearing	30206	1
40	20EVS-H40	Taper Arbor		1
41	20EVS-H41	Quill		1
42	20EVS-H42	Taper Roller Bearing	30207	1
43	20EVS-H43	Spindle Shaft		1
44	20EVS-H44	Oil Seal	72x45x8	1
45	20EVS-H45	Set Position Block (serial no. 4030413 and higher)		1
45-1	TS-1521011	Set Screw	M4x4	1
46	20EVS-H46	Scale Rod (serial no. 4030413 and higher)		1
50	20EVS-H50	Set Knob (serial no. 4030413 and higher)		1
51	TS-2276081	Set Screw	M6x8	1
53	20EVS-H53	Graduated Dial Label		1
58	20EVS-H58	Cross Cap Screw	3/16"x3/8"	4
60	20EVS-H60	Limit Block		1
61	20EVS-H61	Hex Socket Cap Screw	M8x25	3
62	20EVS-H62	Key	6x6x20	1
63	20EVS-H63	Pinion Shaft		1
66	20EVS-H66	Flange		1
67	20EVS-H67	Handle Hub		1
68	20EVS-H68	Handle Rod		3
69	20EVS-H69	Knob		3
70	20EVS-H70	Oil Cap		2
71	20EVS-H71	Cover		1
72	20EVS-H72	Cross Cap Screw	1/4"x1/2"	4

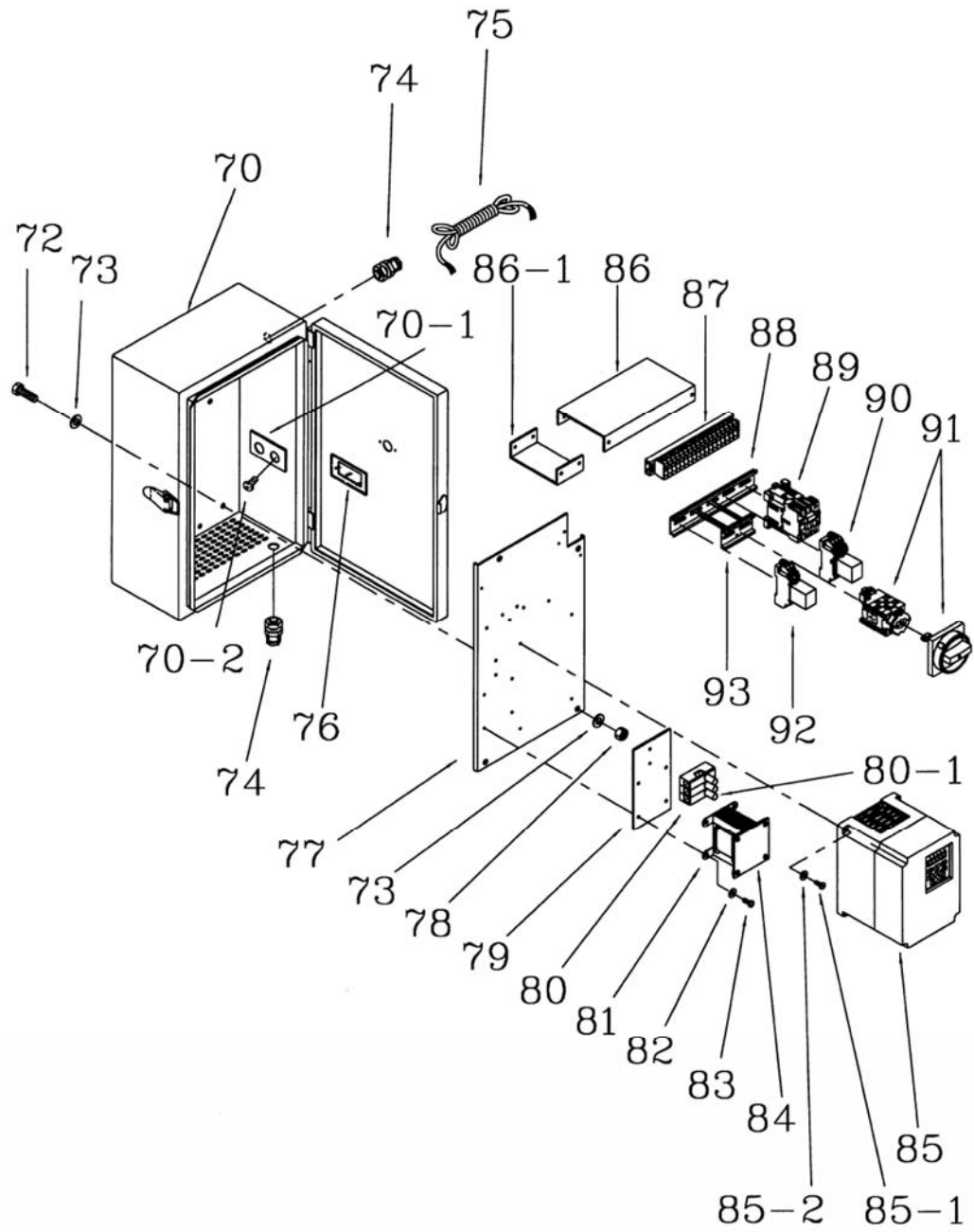
# Control Panel Assembly



## Parts List: Control Panel Assembly

Index No.	Part No.	Description	Size	Qty
56	20EVS-T56	Speed Control Knob		1
57	20EVS-T57	Drill/Tap Switch		1
58	20EVS-T58	Pump Switch		1
59	20EVS-T59	Reverse Switch		1
60	20EVS-T60	Start Switch		1
61	20EVS-T61	Stop Switch		1
62	20EVS-T62	Emergency Switch		1
63	20EVS-T63	Screw		4
64	20EVS-T64	Plate Bracket		1
64-1	20EVS-T64-1	Control Panel I.D.		1
64-2	TS-1515031	Hex Socket Cap Screw	M8x20	2
64-3	20EVS-T64-3	Washer	M8	2
65	20EVS-T65	Digital Readout Assembly		1
66	20EVS-T66	Oil Filler Cover		1
66-1	20EVS-T66-1	Cross Head Screw	3/16"x3/8"	2
67	20EVS-T67	Pulley Cover		1
67-1	20EVS-T67-1	Top Cover		1
67-2	20EVS-T67-2	Fixed Plate		2
67-3	20EVS-T67-3	Cross Head Screw	3/16"x3/8"	11
67-5	20EVS-T67-5	Washer	3/16"	8
68	TS-1551061	Spring Washer	M8	8
69	TS-1515011	Hex Socket Cap Screw	M8x12	8
70	20EVS-T70	Electric Control Box w/Door and Latch <i>(serial no. 3040097 and higher on the 460V model)</i>		1
71	TS-1515011	Hex Socket Cap Screw	M8x12	4

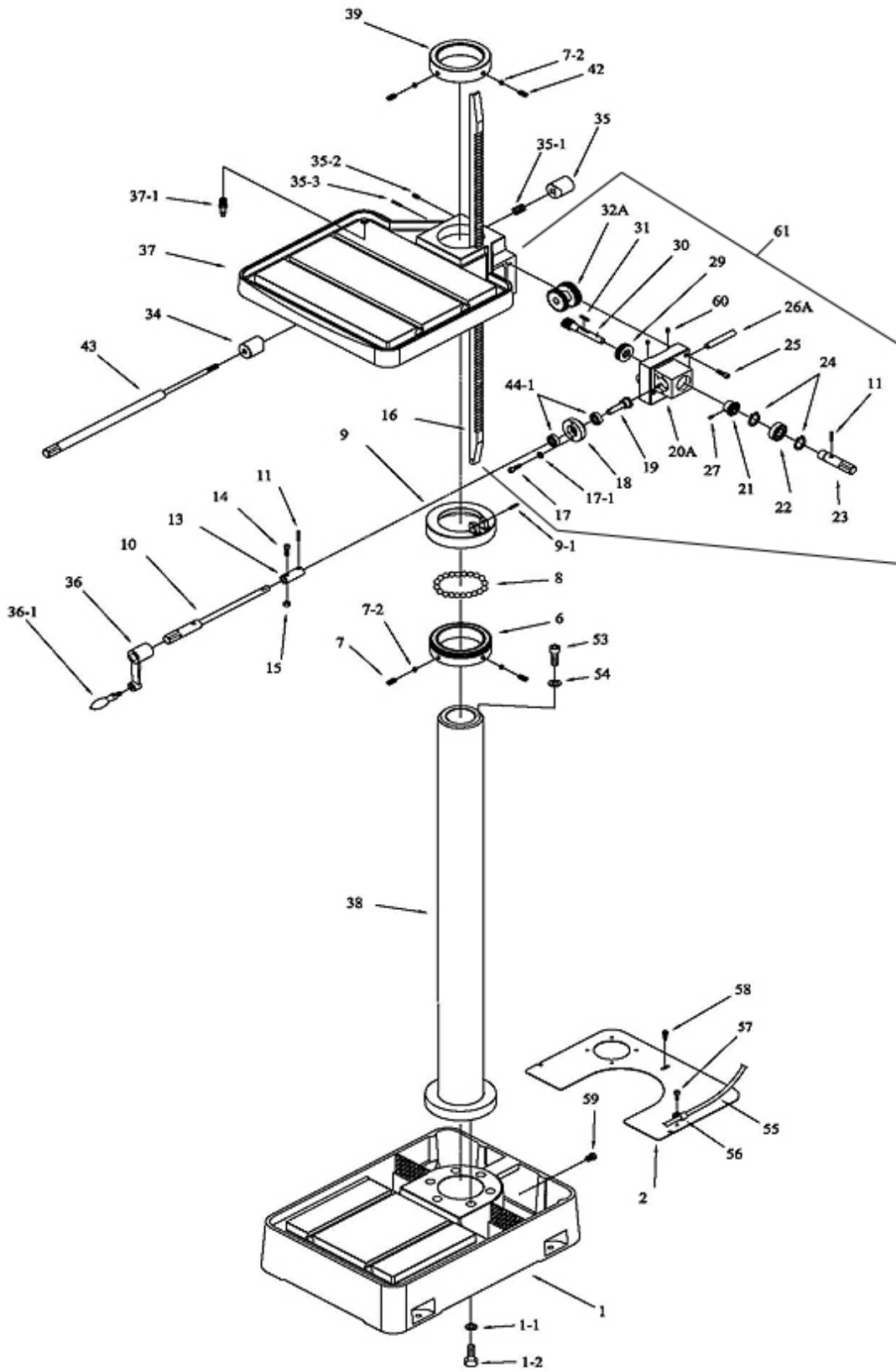
# Electrical Cabinet Assembly



## Parts List: Electrical Cabinet Assembly

Index No.	Part No.	Description	Size	Qty
70	20EVS-T70	Electric Control Box w/Door and Latch <i>(serial no. 3040097 and higher on the 460V model)</i>		1
70-1	20EVS-T70-1	Brass Plate		1
70-2	20EVS-T70-2	Screw		4
72	20EVS-T72	Hex Cap Bolt	5/16"x1"	3
73	TS-0680031	Washer	5/16"	6
74	20EVS-T74	Cable Relief		2
75	20EVS-T75	Electric Cable	1.25MM^2	1
76	20EVS-T76	Plastic Plate		1
77	20EVS-T77	Electric Base Plate		1
78	TS-0570021	Nut	5/16"	3
79	20EVS-T79	Insulation Board		1
80	20EVS-T80	Fuse (0.5A)		2
80-1	20EVS-T80-1	Fuse (2A)		1
81	20EVS-T81	Transformer		1
82	TS-1550031	Washer	M5	4
83	20EVS-T83	Screw	M5x10	4
84	20EVS-T84	Insulation Board		1
85	VFD-B-230V	Delta Inverter (for 230V) <i>(serial no. 3040097 and higher)</i>		1
	VFD-B-460V	Delta Inverter (for 460V) <i>(serial no. 3040097 and higher)</i>		1
85-1	20EVS-T85-1	Screw	M4x20	4
85-2	20EVS-T85-2	Washer	M4	8
86	20EVS-T86	Connecting Board		1
86-1	20EVS-T86-1	Connecting Board (small)		1
87	20EVS-T87	Terminal Plate		1
88	20EVS-T88	Aluminum Rail Plate		1
89	20EVS-T89	Contactactor		1
90	20EVS-T90	Relay	250V	1
	20EVS-T90-460	Relay	460V	1
91	20EVS-T91	Safety Switch Assembly		1
92	20EVS-T92	Relay	250V	1
	20EVS-T92-460	Relay	460V	1
93	20EVS-T93	Aluminum Rail Plate (small)		1

# Column/Table/Base Assembly



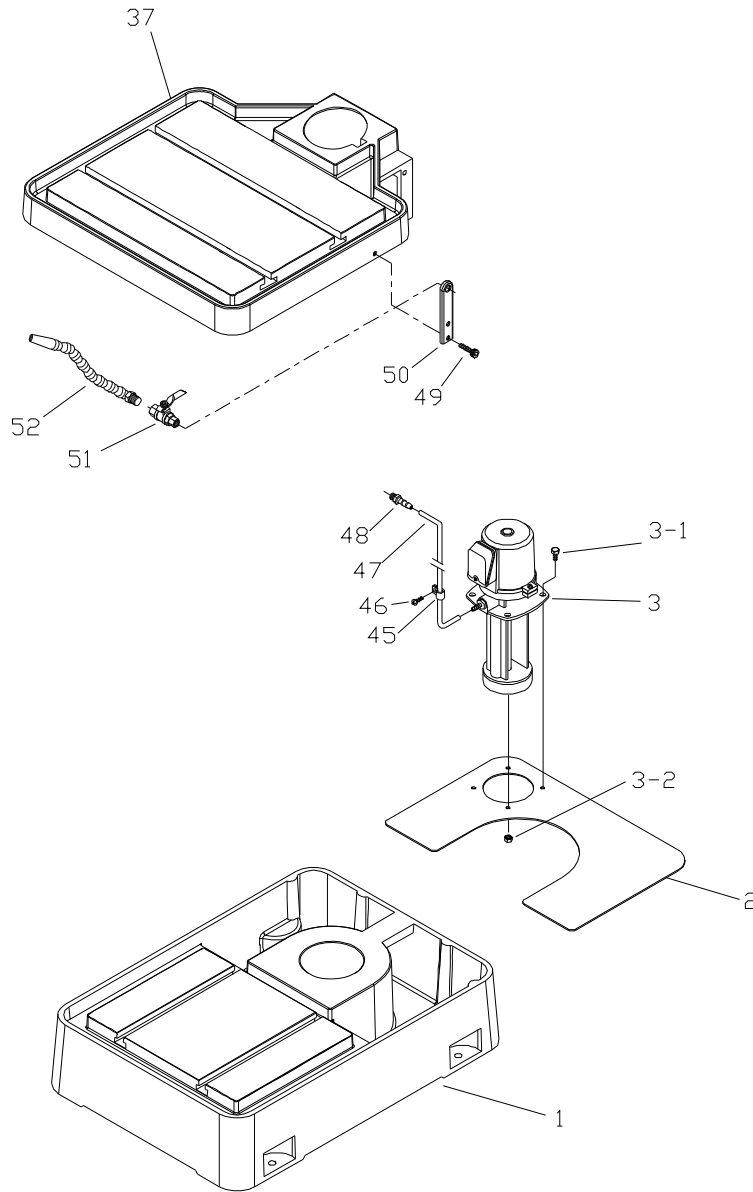
## Parts List: Column/Table/Base Assembly

Index No.	Part No.	Description	Size	Qty
1	20EVS-C1	Coolant Base		1
	20EVS-C1N	Coolant Base (serial no. 7090372 and higher)		1
1-1	TS-0720111	Lock Washer	1/2"	6
1-2	TS-0070031	Hex Cap Screw	1/2" x 1-1/2"	6
2	20EVS-C2	Cover		1
6	20EVS-C6	Support Bearing Collar		1
	20EVS-C6-1	Support Bearing Collar (serial no. 7090372 and higher)		1
7	20EVS-C7	Set Screw	1/2"x3/4"	1
7-2	20EVS-C7-2	Brass Block		4
8	20EVS-C8	Steel Ball	M10	40
9	20EVS-C9	Column Bearing Collar		1
	20EVS-C9N	Column Bearing Collar (serial no. 7090372 and higher)		1
9-1	20EVS-C9-1	Screw	3/8"x1"	1
10	20EVS-C10	Crank Shaft w/ Connection Rod		1
11	20EVS-C11	Spring Pin	4x20	2
13	20EVS-C13	Sleeve		1
14	20EVS-C14	Hex Socket Cap Screw	1/4"x1-1/2"	1
15	TS-0561011	Hex Nut	1/4"	1
16	20EVS-C16	Rack		1
17	TS-1514031	Hex Socket Cap Screw	M6x20	2
17-1	TS-1541021	Spring Washer		2
18	20EVS-C18	Flange		1
19	20EVS-C19	Small Bevel Gear		1
20	20EVS-C20	Gear Bracket		1
20A	20EVS-C20A	Gear Bracket (serial no. 10120660 and higher)		1
21	20EVS-C21	Bevel Gear		1
22	BB-6005ZZ	Ball Bearing	6005ZZ	1
23	20EVS-C23	Crank Shaft		1
24	20EVS-C24	C-Clip	S25	2
25	TS-1515051	Hex Socket Cap Screw	M8x35	3
26	20EVS-C26	Shaft		1
26A	20EVS-C26A	Shaft (serial no. 10120660 and higher)		1
27	20EVS-C27	Set Screw	1/4" x 3/8"	1
29	20EVS-C29	Thrust Bearing	51102	1
30	20EVS-C30	Worm Shaft		1
31	20EVS-C31	Key	4x4x20	1
32	20EVS-C32	Gear		1
32A	20EVS-C32A	Gear Assembly (serial no. 10120660 and higher)		1
34	20EVS-C34	Lock Sleeve		1
35	20EVS-C35	Lock Sleeve (thread)		1
35-1	20EVS-C35-1	Spring		1
35-2	20EVS-C35-2	Set Screw	M6x25	1
35-3	20EVS-C35-3	Pin	5x25	1
36	20EVS-C36	Lift Handle Crank		1
36-1	20EVS-C36-1	Handle		1
37	20EVS-C37	Table		1
37-1	20EVS-C37-1	Hose Coupler	1/2"	1
38	20EVS-C38	Column		1
	20EVS-C38N	Column (serial no. 7090372 and higher)		1
39	20EVS-C39	Rack Collar		1
42	20EVS-C42	Set Screw	1/2"x3/4"	2
43	20EVS-C43	Connecting Rod (threaded)		1
44-1	BB-6202ZZ	Ball Bearing	6202ZZ	2
53	20EVS-C53	Hex Socket Cap Screw		1
54	20EVS-C54	Washer		1
55	20EVS-C55	Hose	1/2"	1
56	20EVS-C56	Clamp		1

Index No.	Part No.	Description	Size	Qty
57	20EVS-C57	Pan Head Screw		1
58	20EVS-C58	Pan Head Screw		1
59	20EVS-C59	Plug	3/8"PT	1
60	TS-1522021	Socket Set Screw	M5x8	2
61	20EVS-TRM	Table Raising Mechanism Assembly		1
	20EVS-SBCA	Support Bearing Collar Assembly (includes #6,7,7-2,8,9 and 9-1)		1



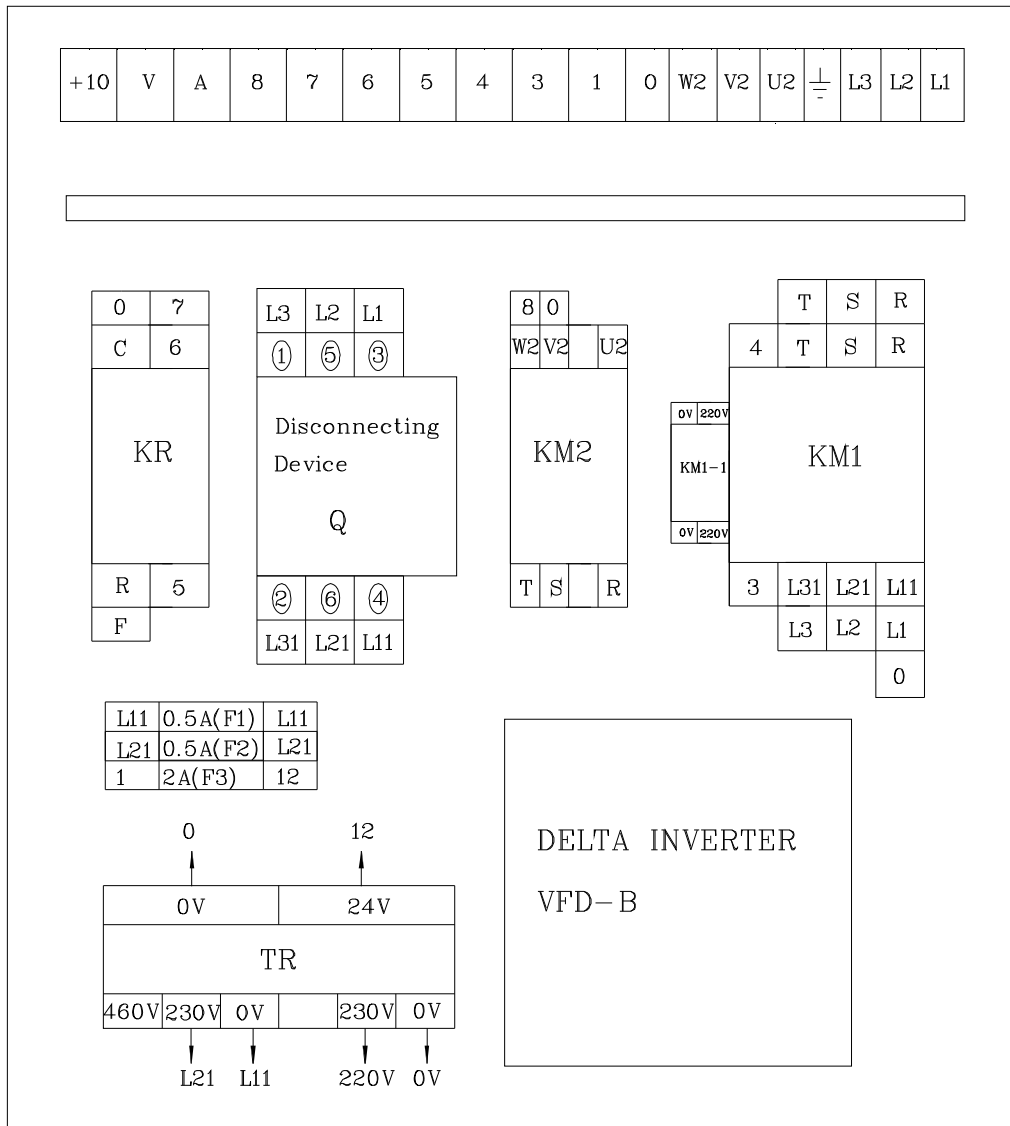
# Coolant Pump Assembly



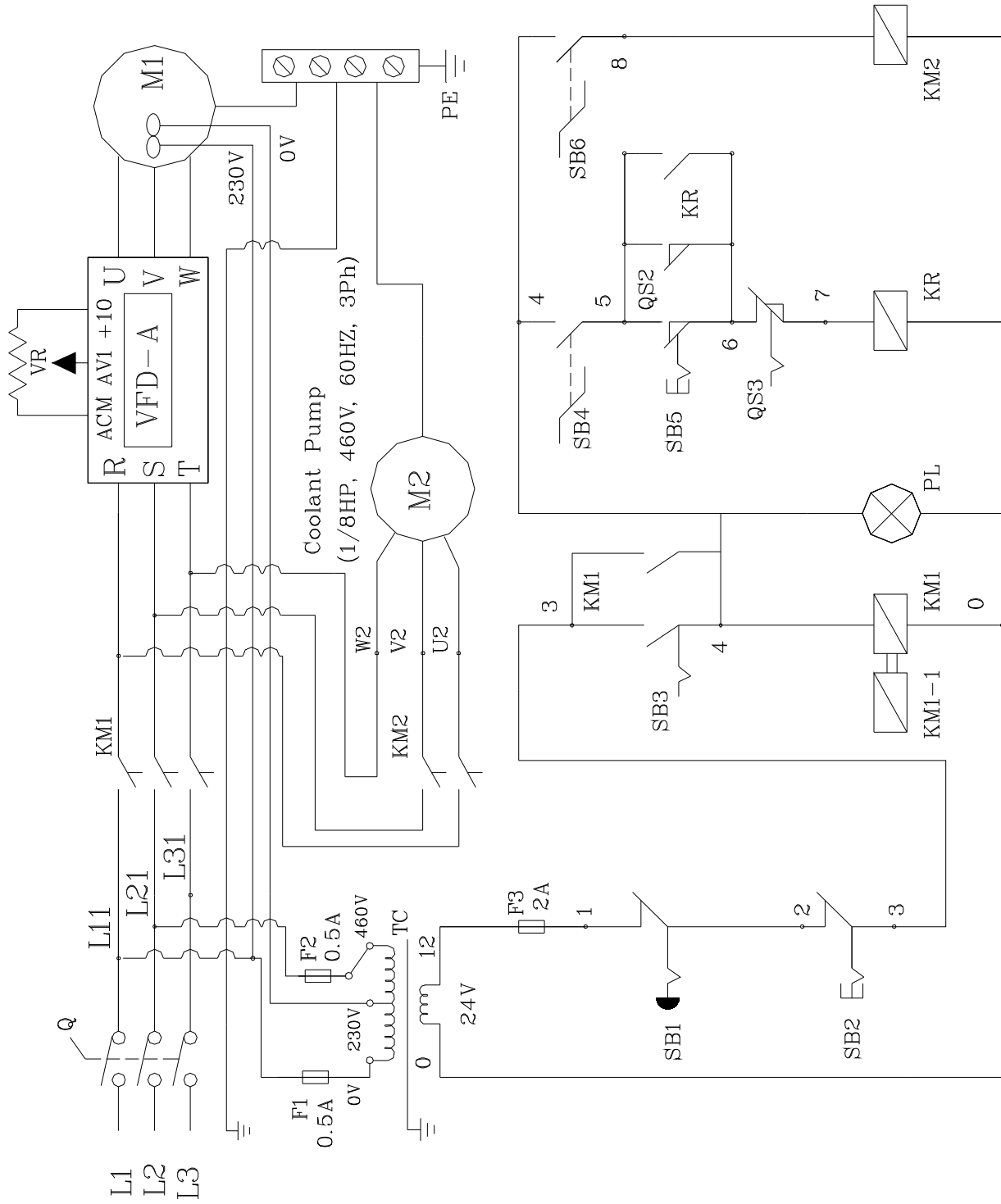
Index No.	Part No.	Description	Size	Qty
1.....	20EVS-C1.....	Coolant Base.....		1
2.....	20EVS-C2.....	Cover.....		1
3.....	20EVS-CP3PH.....	Coolant Pump.....	1/8 HP, 230V, 3 Ph.....	1
.....	20EVS-CP1PH.....	Coolant Pump.....	1/8 HP, 230V, 1 Ph.....	1
3-1.....	20EVS-C4.....	Hex Cap Bolt.....	1/4"x1/2".....	4
3-2.....	20EVS-C5.....	Hex Nut.....		4
37.....	20EVS-C37.....	Table.....		1
45.....	20EVS-C45.....	Clamp.....		1
46.....	20EVS-C46.....	Cross Cap Screw.....		1
47.....	20EVS-C47.....	Tube.....		1
48.....	20EVS-C48.....	Connector.....		1
49.....	TS-1515031.....	Hex Socket Cap Screw.....	M8x20.....	1
50.....	20EVS-C50.....	Support Plate.....		1
51.....	20EVS-C51.....	ON/OFF Valve.....		1
52.....	20EVS-C52.....	Nozzle.....		1

# Electrical Cabinet

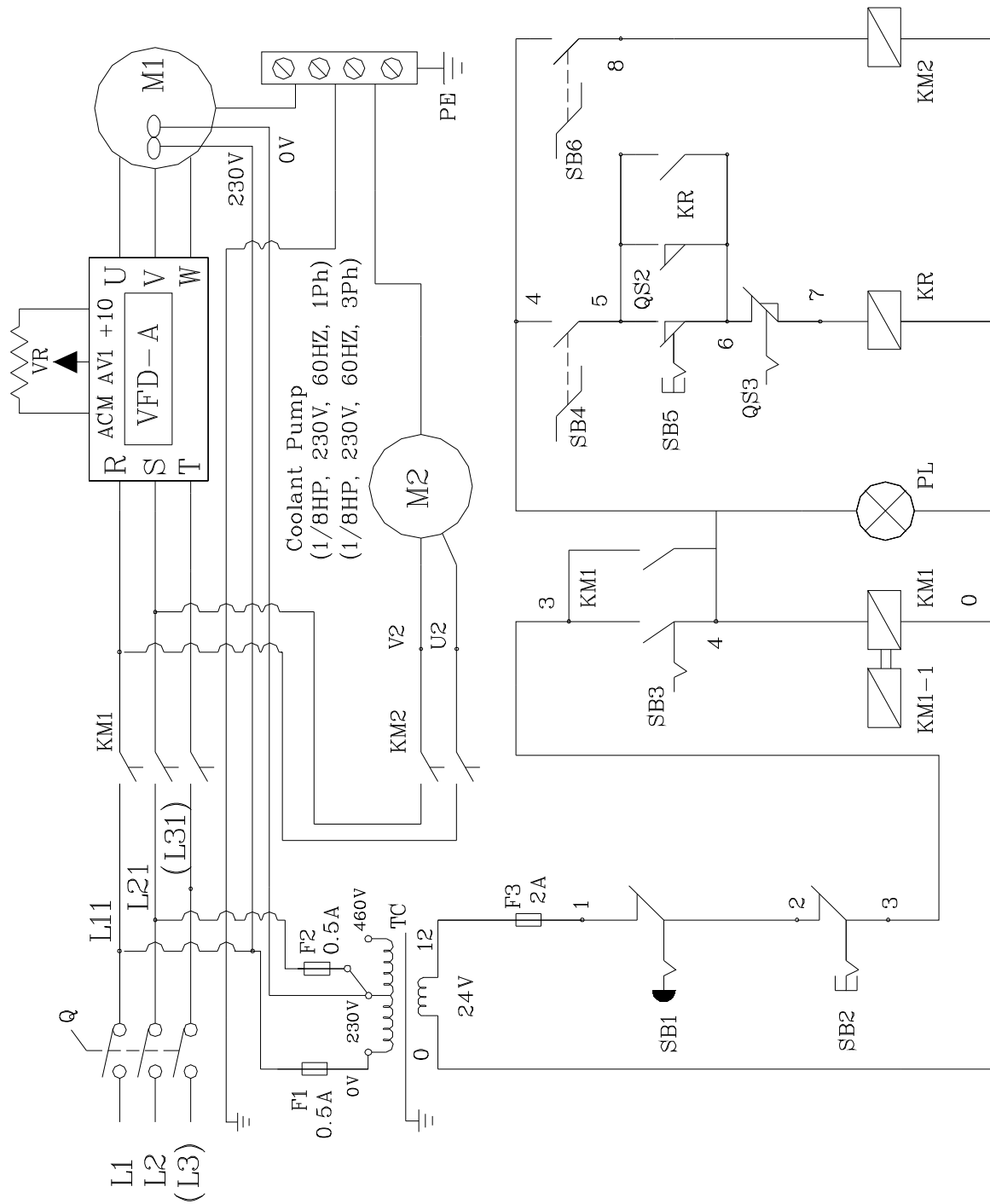
Index No.	Part No.	Description	Size	Qty
Q	20EVS-T91	Safety Switch Assembly	500Vac,16A	1
F1	20EVS-T80	Fuse	0.5A	1
F2	20EVS-T80	Fuse	0.5A	1
F3	20EVS-T80-1	Fuse	2A	1
KM1	20EVS-T89	Contactor		1
KM1-1	20EVS-T89-1	Connector		1
KM2	20EVS-T90	Relay	250V	1
	20EVS-T90-460	Relay	460V	1
KR	20EVS-T92	Relay	250V	1
	20EVS-T92-460	Relay	460V	1
TR	20EVS-T81	Transformer		1
VFD-B	VFD-B-230V	Delta Inverter (serial no. 3040097 and higher)	AC Motor	1
VFD-B	VFD-B-460V	Delta Inverter (serial no. 3040097 and higher)	AC Motor	1



# Wiring Diagram – 460 Volt, 3 Phase



# Wiring Diagram – 230 Volt, 1 & 3 Phase



**WALTER MEIER (Manufacturing) Inc.**

427 New Sanford Road  
 LaVergne, Tennessee 37086  
 Phone: 800-274-6848  
[www.waltermeier.com](http://www.waltermeier.com)