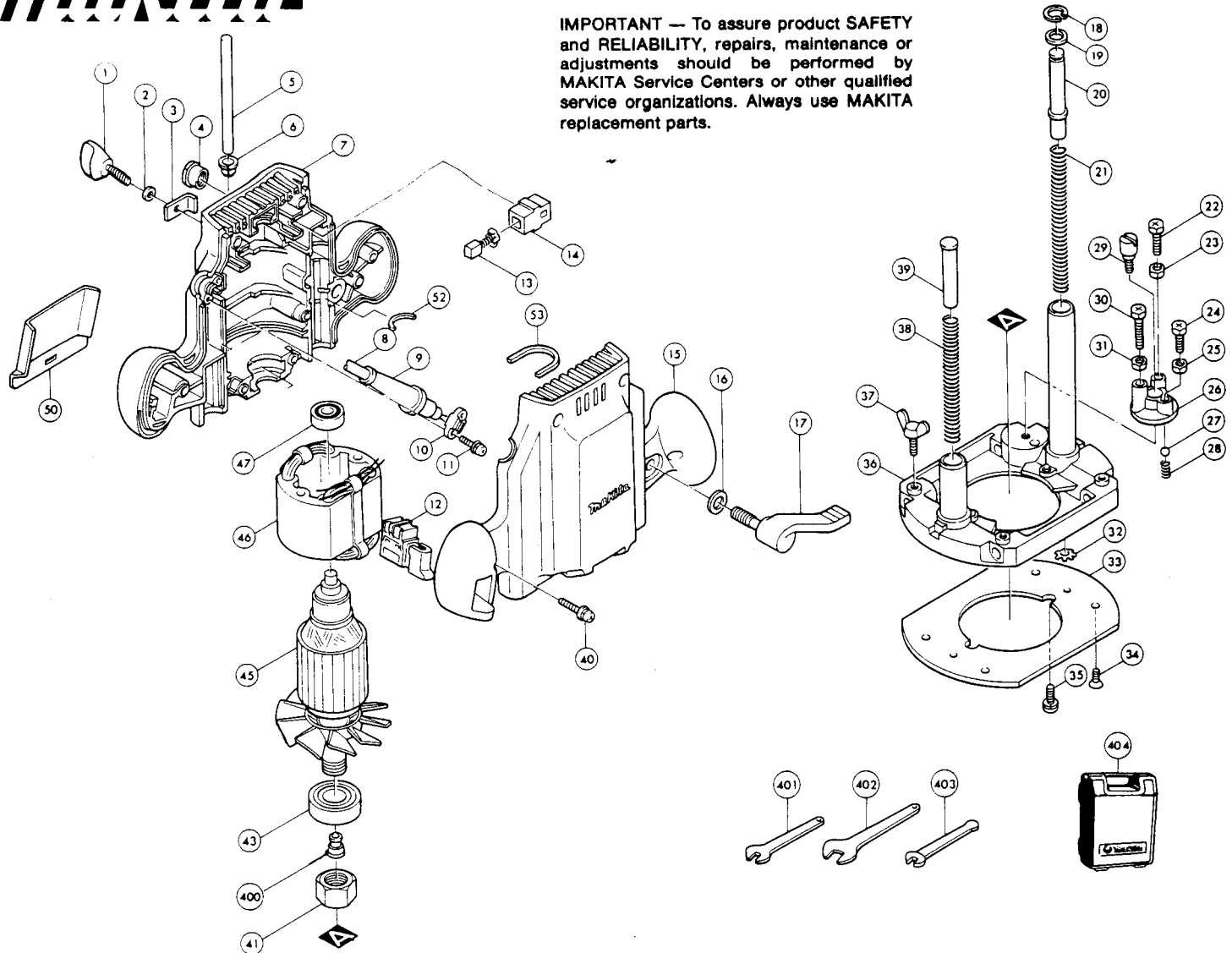


**IMPORTANT** — To assure product **SAFETY** and **RELIABILITY**, repairs, maintenance or adjustments should be performed by **MAKITA Service Centers** or other qualified service organizations. Always use **MAKITA** replacement parts.



Item No.	Part No.	No. Used	Description	Item No.	Part No.	No. Used	Description
1	251878-6	1	SCREW M5×20	28	231419-4	1	COMPRESSION SPRING
2	941101-4	1	FLAT WASHER 5	29	251447-3	1	FLAT HEAD SCREW M6
3	343352-9	1	PRESSURE PLATE	30	265334-0	1	HEX BOLT M5×20
4	252094-3	1	HEX. NUT M8	31	931202-6	1	HEX. NUT M5
5	321948-6	1	STOPPER POLE	32	259019-8	2	SELF LOCK
6	410960-2	1	DEPTH POINTER	33	410834-7	1	BASE PLATE
7	181959-1	1	HOUSING SET (Include Rubber Pins 263002-9, 263005-3, & Item No. 15)	34	912107-9	4	COUNTERSUNK HEAD SCREW M4×8
8	664064-4	1	CORD With Plug (2×18×8;SJ)	35	911206-4	2	PAN HEAD SCREW M5×10
9	682502-4	1	CORD GUARD 8-85	36	154346-7	1	BASE COMPLETE
10	687002-9	1	STRAIN RELIEF	37	924216-2	2	WING BOLT M5×15
11	911133-5	2	PAN HEAD SCREW M4×18	38	231417-8	1	COMPRESSION SPRING 10
12	651236-0	1	SWITCH	39	256651-9	1	PIN
13	643117-2	2	CARBON BRUSH (CB-117)	40	911243-8	7	PAN HEAD SCREW M5×25
14	643605-9	2	BRUSH HOLDER	41	763615-1	1	COLLET NUT
15	181959-1	1	HOUSING SET (Include Rubber Pins 263002-9, 263005-3, & Item No. 7)	43	211275-8	1	BALL BEARING 6003DDW
16	941202-8	1	FLAT WASHER 8	45	612891-3	1	ARMATURE ASS'Y (Assembled Item No. 43, 74)
17	272221-6	1	LEVER	46	622636-1	1	FIELD ASS'Y
18	962065-9	1	RETAINING RING R-15	47	211031-6	1	BALL BEARING 608LLB
19	267047-9	1	FLAT WASHER	50	410896-5	1	CHIP DEFLECTOR
20	256652-7	1	PIN	52	443073-4	1	FELT
21	231416-0	1	COMPRESSION SPRING 10	53	443074-2	1	FELT
22	265335-8	1	HEX. BOLT M5×28	<b>ACCESSORIES</b>			
23	931202-6	1	HEX. NUT M5	400	763637-1	1	COLLET CONE, 1/4"
24	265333-2	1	HEX. BOLT M5×16	401	781006-4	1	WRENCH 13
25	931202-6	1	HEX. NUT M5	402	781011-1	1	WRENCH 22
26	134437-0	1	STOPPER ASS'Y (Include Item No. 22-26, 29-31)	403	781213-9	1	WRENCH 8
27	216009-4	1	STEEL BALL	404	824283-6	1	PLASTIC TOOL CASE