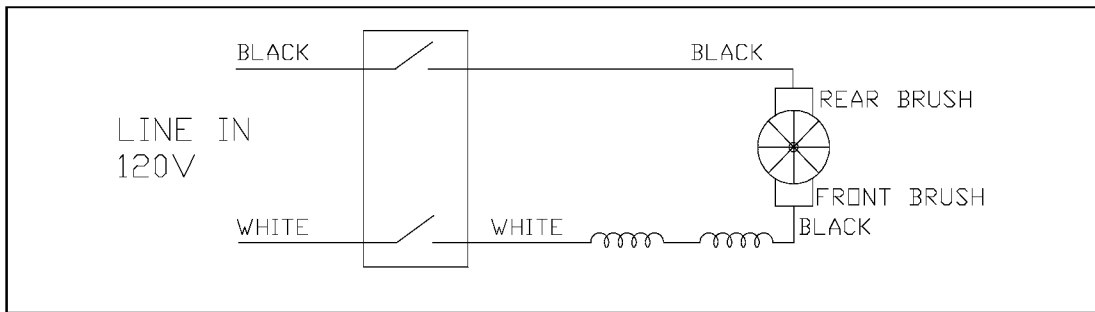
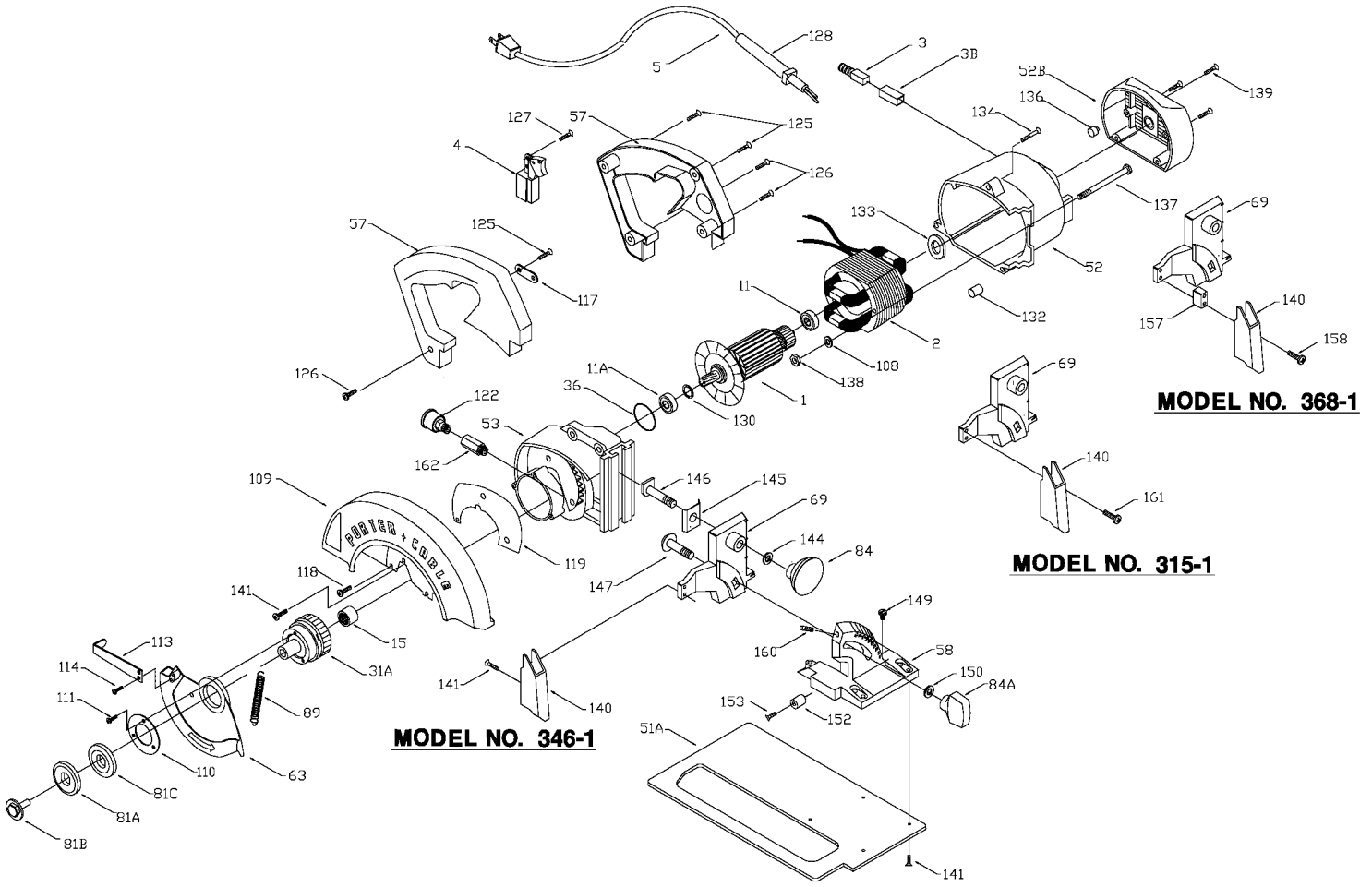


# PORTER-CABLE CIRCULAR SAWS

**WARNING:** Electrical repairs should only be attempted by trained repairmen. Contact the nearest Porter-Cable Service Center or other competent repair center.

**315-1**  
**346-1**  
**368-1**



## Parts List for 368-1 Type 2

Item Number	Part Number	Description	Qty Required
1	000000-00	No Longer Available	1
1	683434	FAN ASSY	1
2	000000-00	No Longer Available	1
3	879553	BRUSH	2
3	000000-00	No Longer Available	2
4	5140066-98	SWITCH KIT	1
4	384127-01	SCREW	10
5	683784	TERMINAL	2
5	330079-98	CORD/10FT/14-2SJ	1
11	330003-64	BALL BEARING	3
11	879010	BEARING	3
15	684188	BEARING	3
31	000000-00	No Longer Available	1
31	879670	GEAR & SHAFT	1
31	000000-00	No Longer Available	1
31	875078	JACKSHAFT SPACER	10
31	879010	BEARING	3
36	691594	O-RING	10
51	000000-00	No Longer Available	1
51	000000-00	No Longer Available	1
52	879565	MOTOR HOUSING	1
52	684111	END CAP	1
53	691598	GEAR HOUSING	1
57	000000-00	No Longer Available	1
58	695356	SEGMENT ANGLE	1
63	684590	TELESCOPING GUARD	1
69	000000-00	No Longer Available	1

COPYRIGHT© 2005. All Rights Reserved.

Parts list, pricing, and availability subject to change. Please visit [www.dewaltservicenet.com](http://www.dewaltservicenet.com) for current parts information.

## Parts List for 368-1 Type 2

Item Number	Part Number	Description	Qty Required
81	000000-00	No Longer Available	1
81	695662	BLADE BOLT/WASHER	1
81	801669	WASHER	10
81	000000-00	No Longer Available	1
81	684398	BLADE BOLT	1
81	698316	BLADE BOLT	1
81	000000-00	No Longer Available	1
84	803674	KNOB	1
84	685902	KNOB	1
89	848686	SPRING	10
108	000000-00	No Longer Available	10
109	876340	GUARD & SPRING	1
110	683636	RETAINER	10
111	858008	SCREW	10
113	847264	LEVER	1
114	882187	SCREW	10
117	861434	CORD CLAMP	1
118	877817	SCREW	10
119	000000-00	No Longer Available	1
122	000000-00	No Longer Available	1
125	900826	SCREW	10
126	688277	SCREW	10
127	882185	SCREW MACHINE STEEL	10
128	901266	STRAIN RELIEVER	10
130	684179	RETAINING RING	10
132	810425	PLUG	1
133	000000-00	No Longer Available	10

COPYRIGHT© 2005. All Rights Reserved.

Parts list, pricing, and availability subject to change. Please visit [www.dewaltservicenet.com](http://www.dewaltservicenet.com) for current parts information.

## Parts List for 368-1 Type 2

Item Number	Part Number	Description	Qty Required
134	688278	SCREW	10
136	000000-00	No Longer Available	1
137	000000-00	No Longer Available	10
138	862641	NUT	10
139	848148	SCREW	10
140	684215	AUX GUARD	1
141	883486	SCREW	10
144	851584	WASHER	10
145	683983	DEPTH ADJ PLATE	1
146	683984	DEPTH ADJ STUD	1
147	1341664	BOLT	10
147	1341664	BOLT	10
149	688395	SCREW	10
150	685533	WASHER	10
150	695354	WASHER	10
152	845359	BUMPER	1
153	879548	SCREW	10
157	684220	SPACER	10
158	000000-00	No Longer Available	10
158	844644	SCREW	10
160	861485	SET SCREW	10
162	000000-00	No Longer Available	1
163	000000-00	No Longer Available	1
164	000000-00	No Longer Available	1
165	842935	SCREW	10
166	823383	SPRING	10
800	801946	LUBE	1

COPYRIGHT© 2005. All Rights Reserved.

Parts list, pricing, and availability subject to change. Please visit [www.dewaltservicenet.com](http://www.dewaltservicenet.com) for current parts information.

## Parts List for 368-1 Type 2

Item Number	Part Number	Description	Qty Required
800	801945	TUBE GREASE	1
856	000000-00	No Longer Available	1
856	000000-00	No Longer Available	1
856	000000-00	No Longer Available	1
856	000000-00	No Longer Available	1
856	000000-00	No Longer Available	1
856	000000-00	No Longer Available	1
856	000000-00	No Longer Available	1
856	882456	WRENCH	1
856	000000-00	No Longer Available	1
856	000000-00	No Longer Available	1
856	000000-00	No Longer Available	1
861	000000-00	No Longer Available	1

COPYRIGHT© 2005. All Rights Reserved.

Parts list, pricing, and availability subject to change. Please visit [www.dewaltservicenetwork.com](http://www.dewaltservicenetwork.com) for current parts information.