

SERVICE CHANGE

1. Change on Motor and Housing.

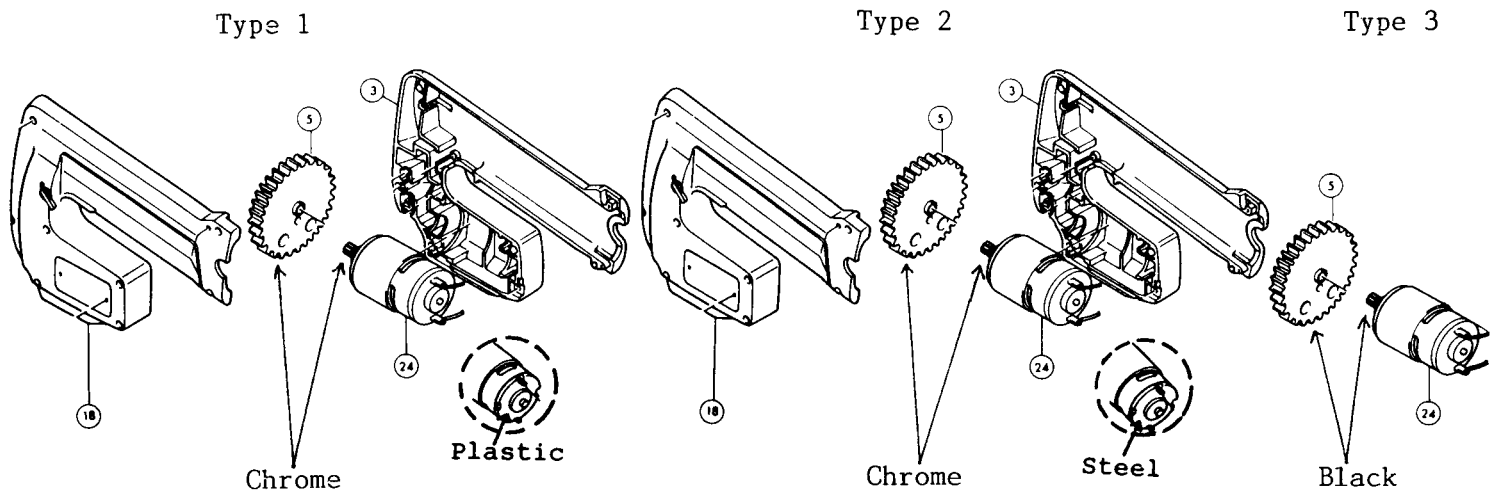
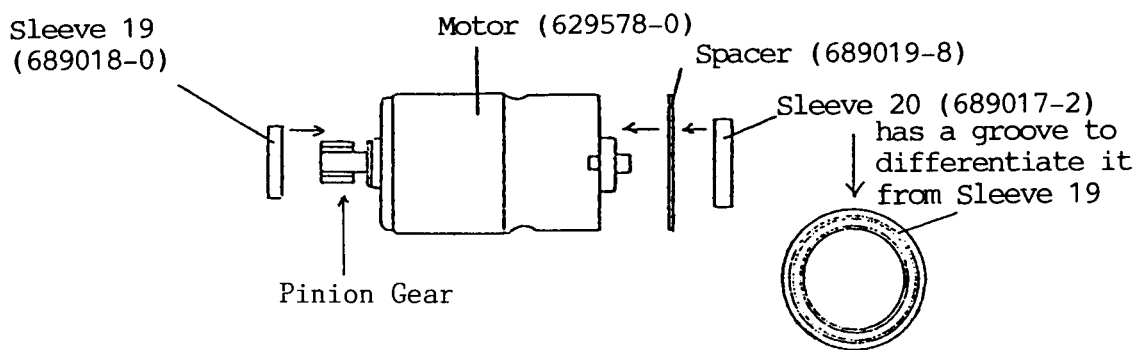


Fig.	Description	Type 1	Type 2	Type 3
3	Housing (R)	Part #410459-7 (Discontinued)	Part #182087-5 Housing Set	
18	Housing (L)	Part #410460-2 (Discontinued)		
5	Gear	Part #153157-7 (Discontinued)		Part #153202-8
24	Motor	Part #629544-7 (Discontinued)	Part #629578-0 w/Pinion Gear 221920-7 (Discontinued)	Part #629581-1 w/Pinion Gear 221882-9

The above parts are completely interchangeable as a set.

SERVICE NOTE

1. Type 2 Motor fits Type 1 Housing when below parts are added.



2. Type 2 Motor can be used with Type 3 Gear by replacing Pinion Gear on Motor (Part #221920-7) to Type 3 Motor's Pinion Gear (Part #221882-9).