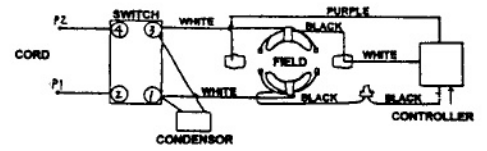




JIG SAW

Model 4323

WIRING DIAGRAM



IMPORTANT! - To assure product SAFETY and RELIABILITY, repairs, maintenance or adjustments should be performed by MAKITA Service Centers, or other qualified service organizations. Always use MAKITA replacement parts.

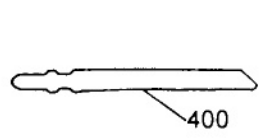
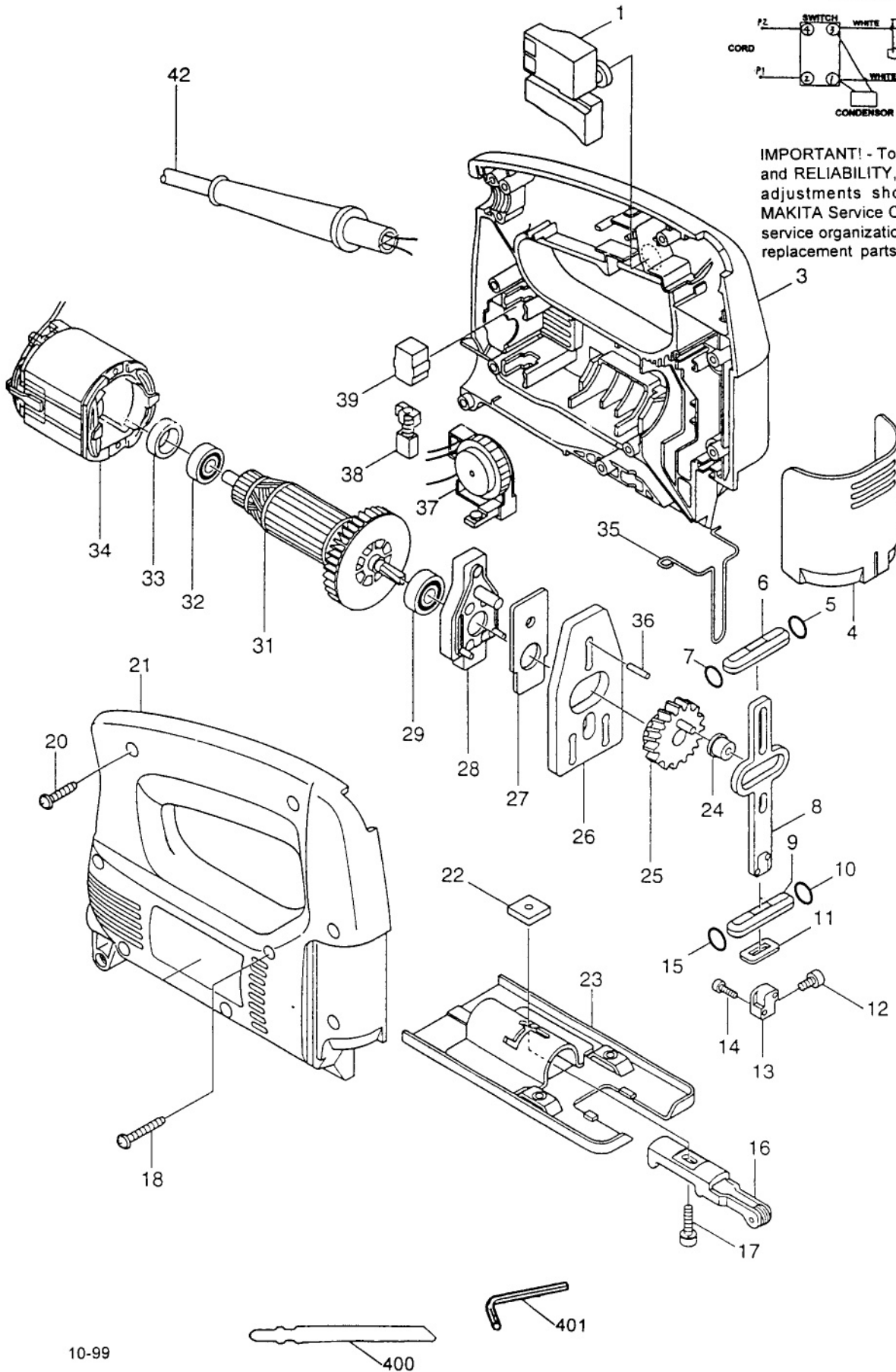


Fig.	Part No.	Qty. Used	Description	Fig.	Part No.	Qty. Used	Description
1	651286-5	1	SWITCH	22	343540-8	1	HOLDER
3	183030-7	1	HOUSING SET (2 Ea. Rubber Pin 4, 263002-9;Incl. Fig. 21)	23	163397-9	1	BASE
4	416476-5	1	DUST COVER	24	257683-9	1	COLLAR SLEEVE
5	213038-8	1	O RING 5	25	153254-9	1	GEAR COMPLETE
6	313082-6	1	SLIDER GUIDE	26	344614-8	1	BALANCE PLATE
7	213038-8	1	O RING 5	27	344615-6	1	THRUST PLATE
8	344613-0	1	SLIDER	28	152577-2	1	BEARING CASE COMPLETE
9	313082-6	1	SLIDER GUIDE	29	210005-4	1	BALL BEARING 608DDW
10	213038-8	1	O RING 5	31	517266-0	1	ARMATURE ASS'Y 115V (Incl. Fig. 29, 30, 32)
11	423307-1	1	POLY URETHANE SPONGE SEAL	32	*	1	BALL BEARING 607LLB
12	922107-1	1	HEX. SOCKET HEAD BOLT M4x8	33	*	1	RING 19
13	313083-4	1	BLADE CLAMP	34	633406-3	1	FIELD 115V
14	266177-3	2	HEX. SOCKET HEAD BOLT M3x10	35	323748-0	1	SAFETY WIRE
15	213038-8	1	O RING 5	36	256254-9	1	PIN 3
16	152578-0	1	RETAINER COMPLETE	37	631265-9	1	CONTROLLER 100-120V
17	266178-1	1	HEX. SOCKET HEAD BOLT	38	191956-9	1	CARBON BRUSH CB-75
18	266053-1	1	TAPPING SCREW FLANGE PT 4x35	39	643552-4	1	BRUSH HOLDER 5-8
20	265995-6	9	TAPPING SCREW 4x18	42	664422-4	1	POWER SUPPLY CORD
21	183030-7	1	HOUSING SET (Incl. 2 Ea. Rubber Pin 4, 263002-9; Incl. Fig. 3)	ACCESSORIES			
				400	792538-6	1	JIG SAW BLADE B-10
				401	783201-2	1	HEX. WRENCH 3

*Service Change 1

SERVICE CHANGE

Change on Ball bearing and removal of Ring 19.

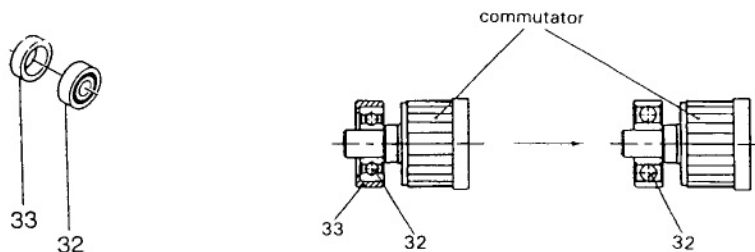


Fig.	Description	Type 1	Type2
32	Ball Bearing	Part #211021-9 (607LLB)	Part #210025-8 (627LLB)
33	Ring 19	Part #257216-0 (Discontinued)	-----

These parts are interchangeable as a set.

NOTE: Part numbers of Armature ass'y remains the same. Please remove Ring 19 when you use new armature.