



# SERVICE PARTS LIST

BUL. 54-00-0710

## CONNECTION & OUTLET BOX

REVISED BUL  
6354-1

DATE  
Feb. '68

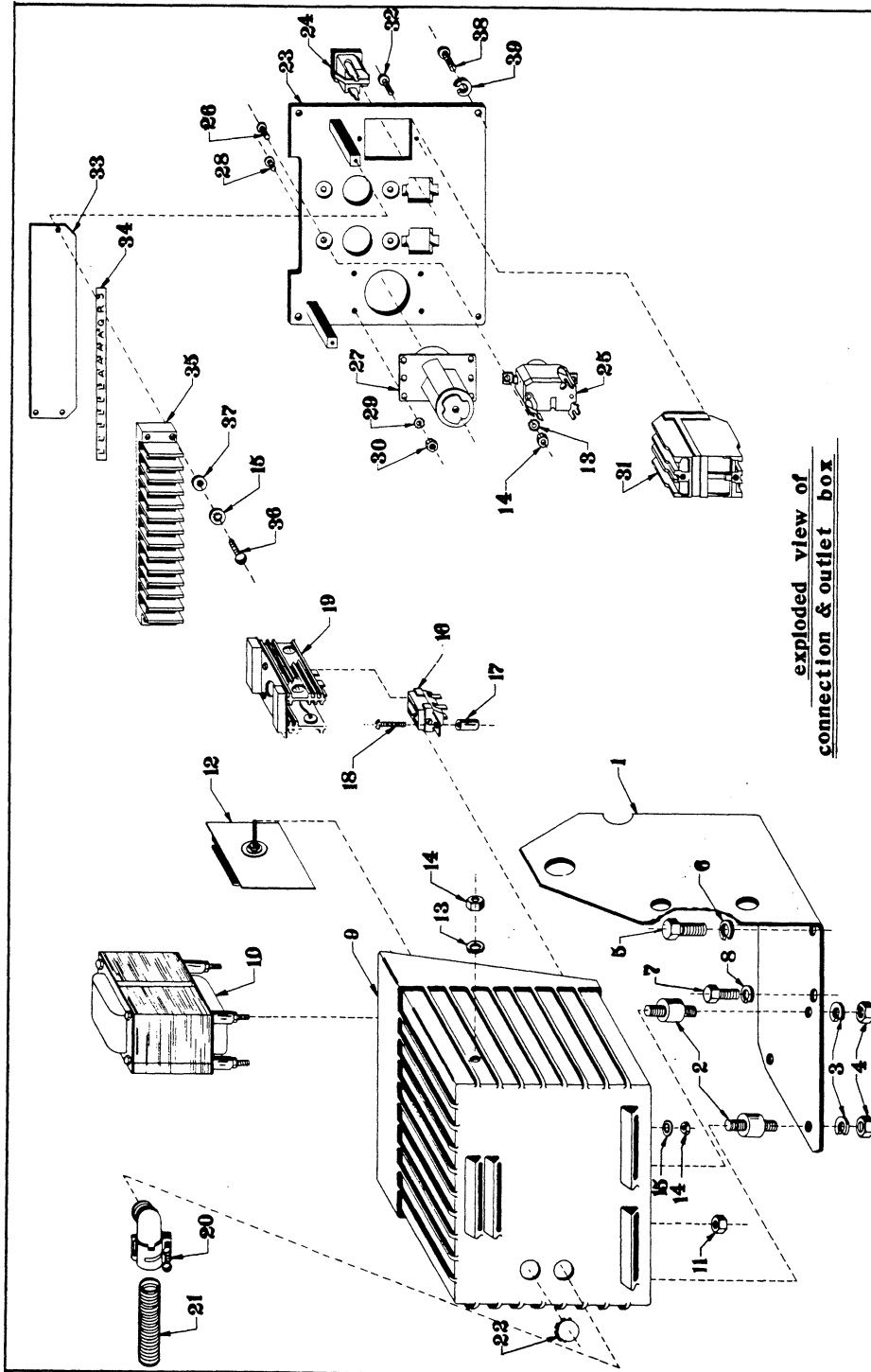
Catalog No. 4780

4780

Starting Serial No. 354-1001

WIRING INSTN.

Both Model and Serial No. must be furnished to obtain correct parts.



exploded view of connection & outlet box

X121BM-Ind-665-300



# SERVICE PARTS LIST

BUL. 54-00-0730

## WIRING DIAGRAM

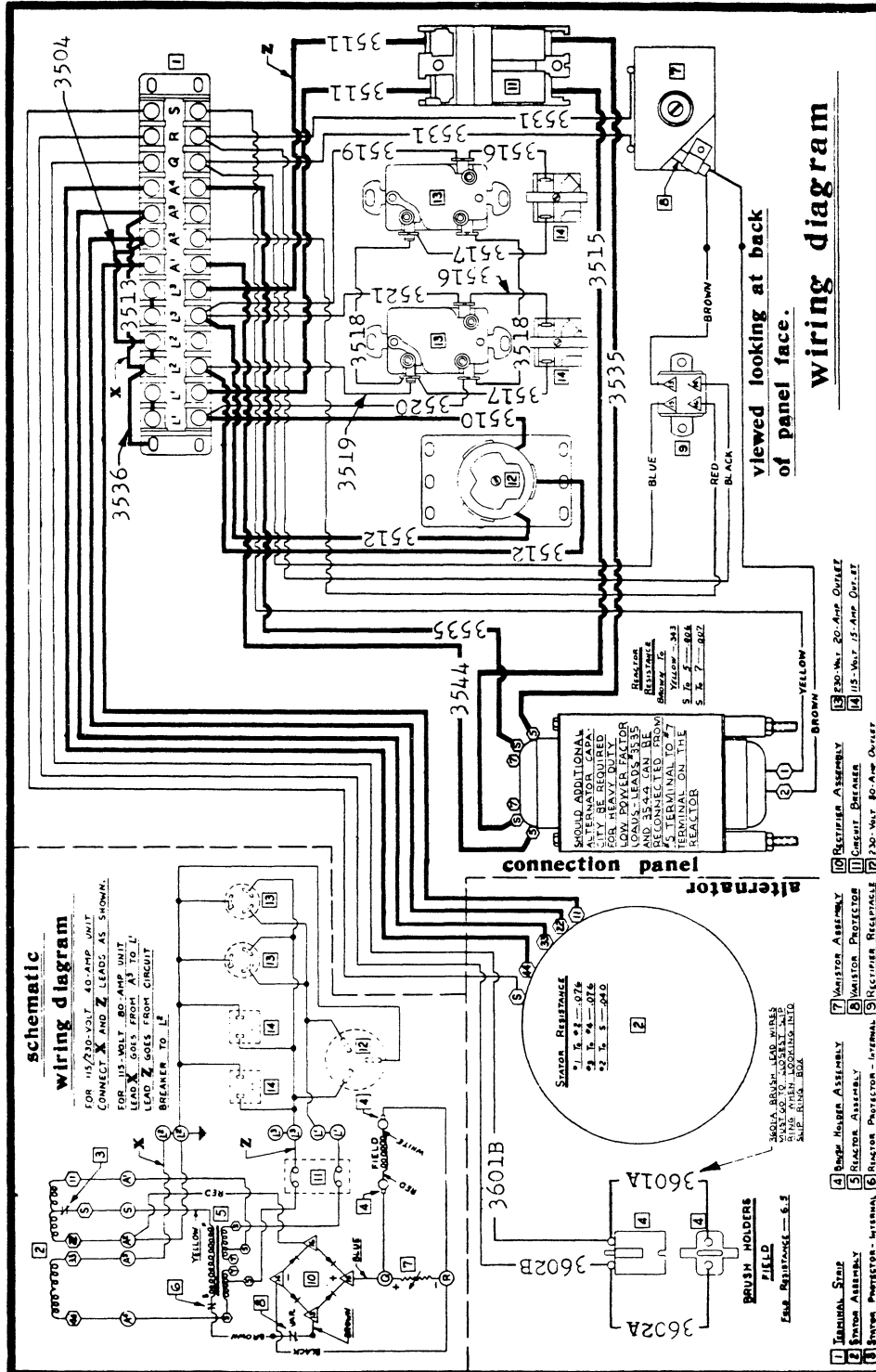
REVISED BUL 6354-1 DATE Feb. '68

Catalog No. 4780

Starting Serial No. 354-1001

WIRING INSTR.

Both Model and Serial No. must be furnished to obtain correct parts.



W45B-M-Ind-465-150



# SERVICE PARTS LIST

BUL.54-00-0720

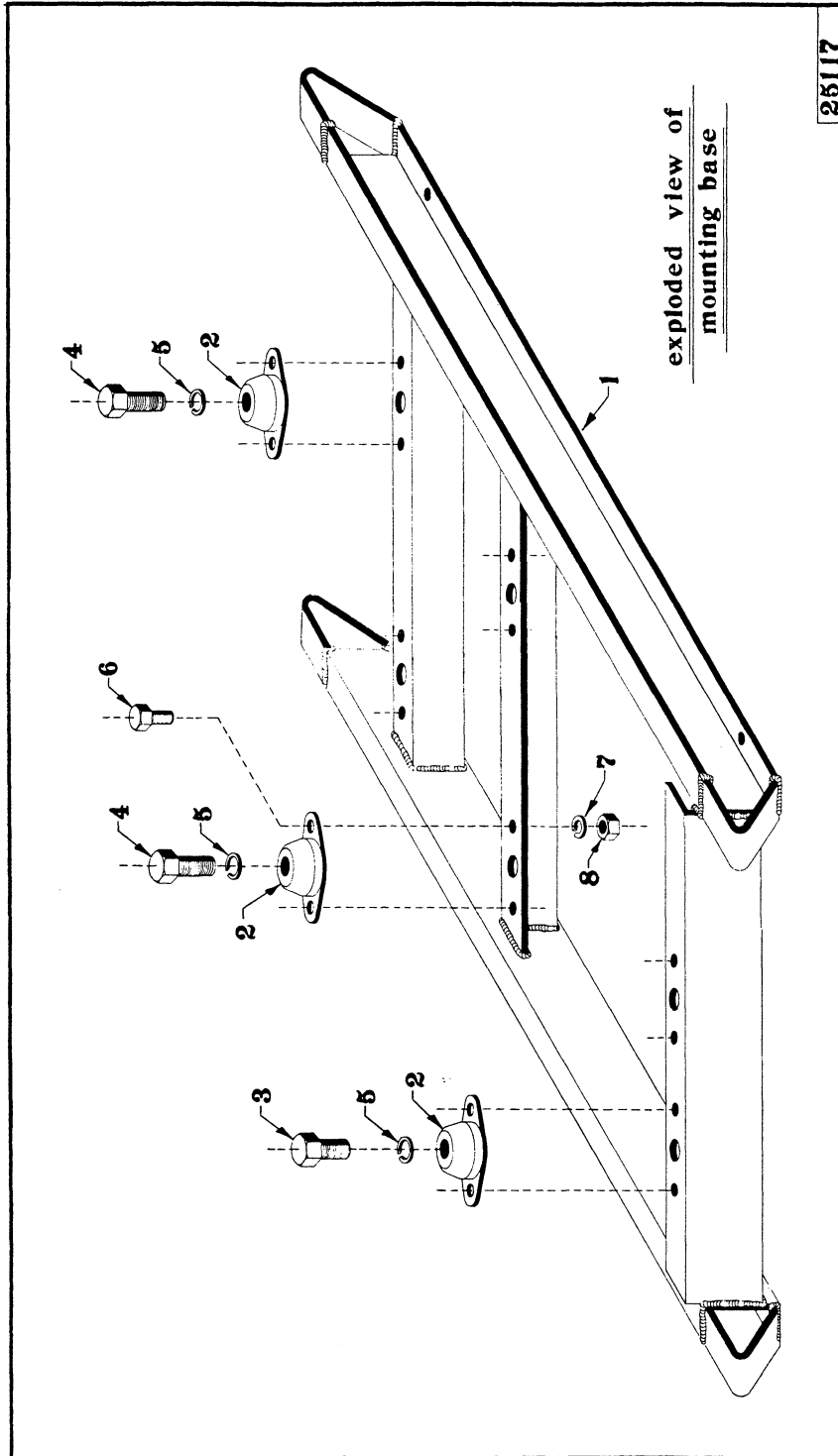
## ALTERNATOR BASE

REVISED BUL 6354-1	DATE Feb. '68
WIRING INSTR.	

Catalog No. 4780

Starting Serial No. 354-1001

Both Model and Serial No. must be furnished to obtain correct parts.



X123A-M-Ind-1064-750



# SERVICE PARTS LIST

BUL. 54-00-0700

## 7500 WATT ALTERNATOR

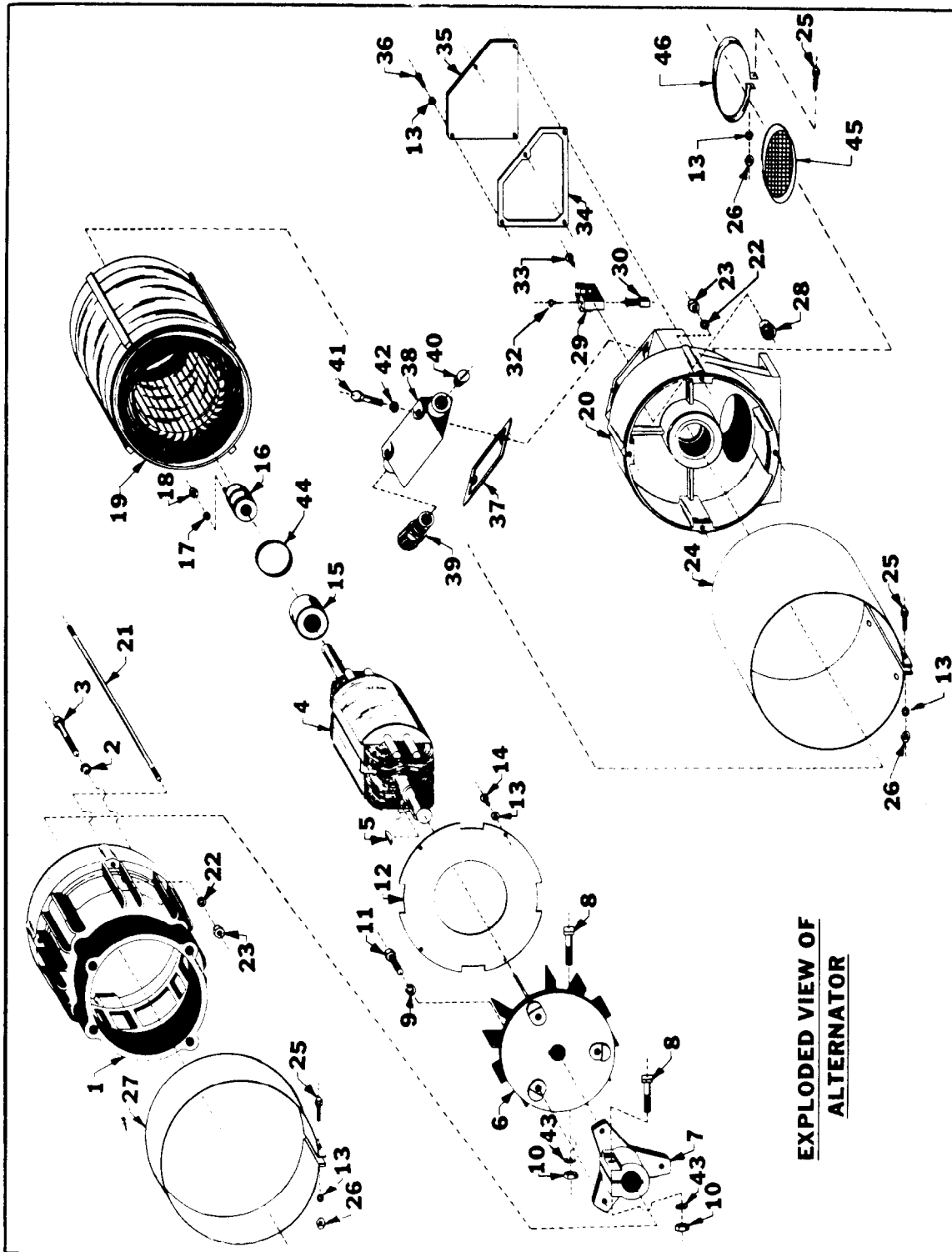
REVISED BUL 6354-1      DATE Feb. '68

Catalog No. **4780**

Starting Serial No. **354-1001**

WIRING INSTR. **54-00-0730**

Both Model and Serial No. must be furnished to obtain correct parts.



**EXPLODED VIEW OF ALTERNATOR**

X122DM-Ind-1266-150

## MILWAUKEE PART NUMBERS AND DESCRIPTION

### FOR CAT. NO. 4780 ALTERNATOR - 7500 WATT

Item	Part Number	Description	No. Required
1	42-04-0210	Housing Adaptor	
2	06-97-2700	7/16" Lockwasher	4
3	06-75-5200	7/16 - 14 x 2 1/4 Hex. Hd. Capscrew	4
4	23-40-0180	Rotor Assembly	
5	06-42-0300	#15 Woodruff Key	
6	22-84-0340	Fan and Rotor Support	
7	42-04-0220	Engine Shaft Adaptor	
8	06-75-4800	3/8 - 16 x 2" Lg. Hex. Hd. Capscrew (Stressproof)	2
9	06-97-2650	5/16" Lockwasher	3
10	06-55-2400	3/8 - 16 Greer Stop Nut	2
11	06-75-3950	5/16 - 18 x 3/4 Hex Hd. Capscrews	3
12	42-14-0110	Baffle	
13	06-97-2200	#10 Washer	10
14	06-81-4650	10 - 32 x 3/8 Rd. Hd. Screw	4
15	02-04-2555	Ball Bearing	
16	44-90-0230	Slip Ring	
17	06-97-1800	#6 Washer	2
18	06-55-0600	6 - 32 Hex Nut	2
19	23-58-0200	Stator Assembly (Man. Start)	
	23-58-0210	Stator Assembly (Elec. Start)	
20	43-76-0180	Rear Housing	
21	45-58-0170	Stud	4
22	06-97-4050	1/4" Washer	8
23	06-55-1500	1/4 - 20 Hex Nut	8
24	43-76-0190	Alternator Strap	
25	06-75-2625	10 - 32 x 1" Screw	4
26	06-55-1100	10 - 32 Hex. Nut	4
27	45-12-0200	Fan Shield	
28	42-40-0360	Snap Bushing	
29	22-20-0220	Brush Holder	2
30	22-18-0340	Brush Assembly	4
31	06-97-1800	#6 Washer	4
32	06-81-8650	6 - 32 x 1/4 Rd. Hd. Screw	4
33	06-81-4568	8 - 32 x 5/8 Rd. Hd. Mch. Screw	4
34	43-44-0210	Gasket	
35	42-92-0160	Brush Box Cover	
36	06-75-2450	10 - 32 x 3/4 Capscrew	4
37	43-44-0220	Gasket	
38	42-92-0170	Connection Box Cover	
39	22-56-0220	45° Sealtite Connector	
40	44-68-0170	1/2" Pipe Plug	
41	06-75-3350	1/4 - 20 x 2 Hex. Hd. Capscrew	2
42	06-97-4050	1/4" Lockwasher	2
43	06-97-4125	3/8 Lockwasher	2