



SERVICE PARTS LIST

BULLETIN NO.
54-22-1131

1/2 H.P. BENCH GRINDER		REVISED BULLETIN	DATE May '93
		WIRING INSTRUCTION 58-01-0025	
CATALOG NO. 4981	MOTOR REF. NO. 41882K		

PARTS ORDERS MUST INCLUDE:

CATALOG NO. → (FROM NAMEPLATE)
MOTOR REF. NO.

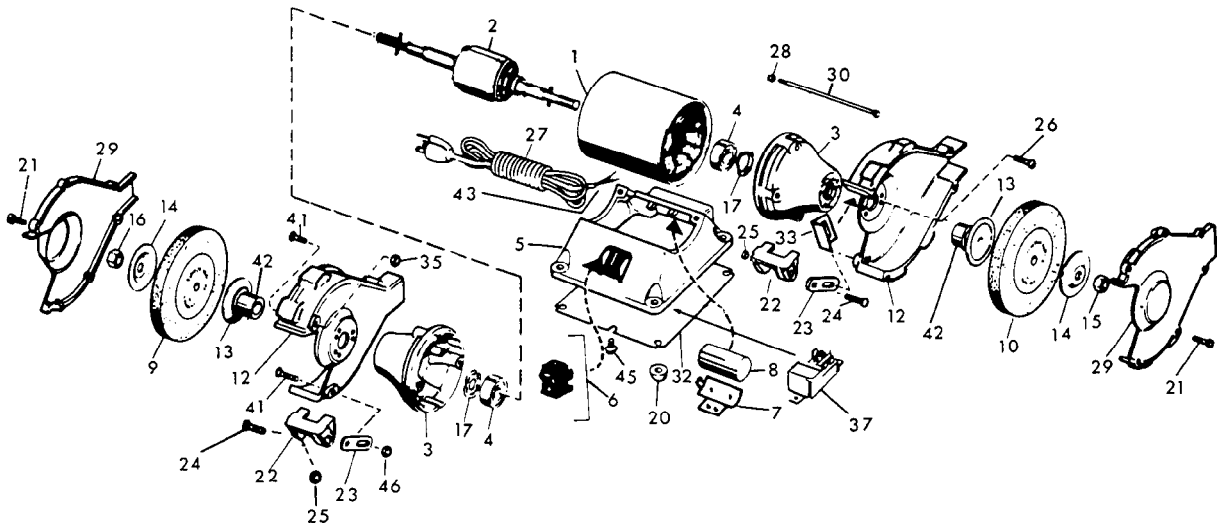


FIG.	PART NO.	DESCRIPTION OF PART	NO. REQ.	FIG.	PART NO.	DESCRIPTION OF PART	NO. REQ.
1	-	Wound Stator with Frame	(1)	22	44-85-0170	Tool Rest	(2)
2	23-40-0560	Rotor and Shaft Assembly	(1)	23	42-36-1360	Tool Rest Support	(2)
3	42-25-2530	End Shield	(2)	24	06-10-1200	3/8-16 x 1 Carriage Bolt	(2)
4	02-04-1720	Bearing	(2)	25	06-57-5165	3/8-16 Hex Lock Nut	(2)
5	42-20-0580	Base	(1)	26	06-81-3200	1/4-20 x 5/8 Self Lock Screw	(6)
6	23-66-1260	Switch	(1)	27	22-64-2770	Cord Set	(1)
7	22-40-0080	Capacitor Clip	(1)	28	06-57-6060	10-32 Lock Nut	(4)
★ 8	22-33-0200	Capacitor	(1)	★ 29	42-92-0520	Wheel Guard Cover	(2)
9	-	Grinding Wheel	(1)	30	06-08-0120	Thru Bolt	(4)
10	-	Grinding Wheel	(1)	32	42-92-0470	Base Cover	(1)
★ 12	43-54-0490	Wheel Guard	(2)	33	45-12-0340	Spark Guard	(2)
13	43-34-0470	Inner Flange	(2)	35	06-55-1985	5/16-18 Hex Nut	(2)
14	43-34-0047	Outer Flange	(2)	37	23-38-0120	Relay	(1)
15	06-55-3300	R.H. 5/8-18 Hex Nut	(1)	41	06-10-1050	5/16-18 x 1-1/8 Carriage Bolt	(4)
16	06-55-3325	L.H. 5/8-18 Hex Nut	(1)	42	45-36-1160	Spacer	(2)
17	40-50-7675	Finger Spring	(2)	43	06-81-5375	8-32 x 1/4 Ground Screw	(1)
20	42-38-0106	Base Bumper	(4)	45	06-81-3190	8-32 x 3/8 Self Lock Screw	(4)
21	06-81-4654	10-32 x 3/4 Self Lock Screw	(12)	46	06-57-5040	5/16-18 Hex Lock Nut	(2)