



SERVICE PARTS LIST

BUL. 54-22-0091

1 H.P. BENCH GRINDER

REVISED BUL. DATE
Feb. '71

Catalog No. 5100

MODEL REF. NO. **65055-E**

WIRING INSTR.

PARTS ORDERS MUST INCLUDE:
 CATALOG NO. (FROM NAMEPLATE)
 MODEL REF. NO. (FROM NAMEPLATE)
 PART NO.
 DESCRIPTION
 QUANTITY REQUIRED

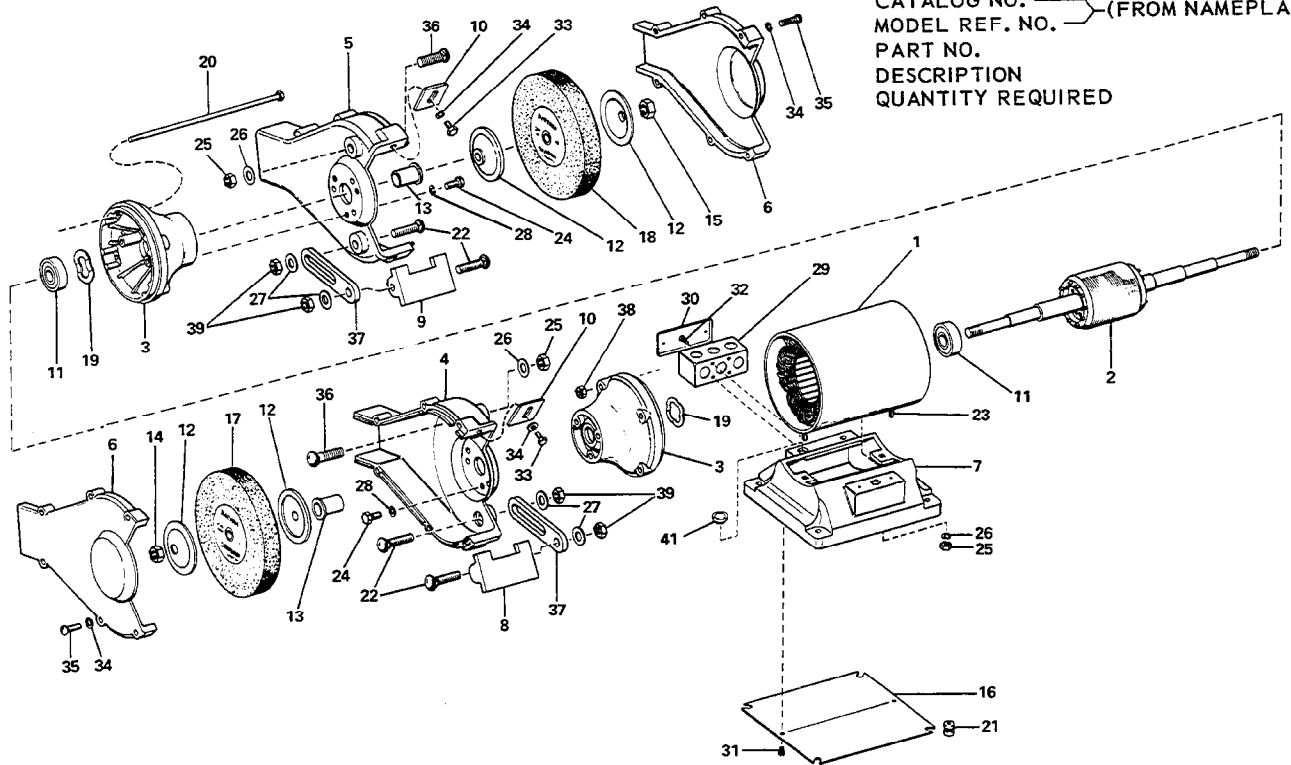


FIG.	PART NO.	DESCRIPTION OF PART	NO. REQ.	FIG.	PART NO.	DESCRIPTION OF PART	NO. REQ.
1	23-58-0370	Wound Stator with Frame	(1)	22	06-10-1275	3/8-16x1-3/8 Carriage Bolt	(4)
2	23-40-0340	Rotor and Shaft Assembly	(1)	23	06-10-3200	5/16-18x7/8 Carriage Bolt	(2)
3	42-25-0235	End Shield	(2)	24	06-75-4650	3/8-16x7/8 Hex. Hd. Bolt	(6)
4	43-54-0146	L.H. Wheel Guard	(1)	25	06-55-1990	5/16-18 Hex. Nut	(4)
5	43-54-0145	R.H. Wheel Guard	(1)	26	45-88-5245	5/16 Flat Washer	(4)
6	42-92-0125	Wheel Guard Cover	(2)	27	45-88-5261	3/8 Flat Washer	(4)
7	42-20-0276	Base	(1)	28	06-97-4125	3/8 Lock Washer	(6)
8	44-85-0125	L.H. Tool Rest	(1)	29	22-12-0045	Conduit Box	(1)
9	44-85-0115	R.H. Tool Rest	(1)	30	42-92-0225	Conduit Box Cover	(1)
10	43-54-0080	Spark Guard	(2)	31	06-81-0275	10-32x3/8 Pan Hd. Screw	(2)
11	02-04-5055	Bearing	(2)	32	06-81-0450	8-32x3/8 Pan Hd. Screw	(2)
12	43-34-0151	Wheel Flange	(4)	33	06-75-0073	1/4-20x3/8 Hex. Hd. Bolt	(2)
13	45-36-0571	Spacer Sleeve	(2)	34	06-97-4000	1/4 Lock Washer	(14)
14	06-55-3725	L.H. 3/4-16 Hex. Nut	(1)	35	06-81-4750	1/4-20x1 Round Hd. Screw	(12)
15	06-55-3700	R.H. 3/4-16 Hex. Nut	(1)	36	06-10-3230	5/16-18x1-3/8 Carriage Bolt	(2)
16	42-92-0055	Base Cover	(1)	37	42-36-0030	Tool Rest Support	(2)
17	-	Grinding Wheel (See Catalog)	(1)	38	06-57-6060	10-32 Whiz Nut	(4)
18	-	Grinding Wheel (See Catalog)	(1)	39	06-57-5160	3/8-16 Whiz Lock Nut	(4)
19	40-50-7662	Finger Spring	(2)	41	-	Plug Cap S-50	(1)
20	06-92-0350	10-32x11-1/8 Long thru Bolt	(4)				
21	42-38-0085	Rubber Base Bumper	(4)				