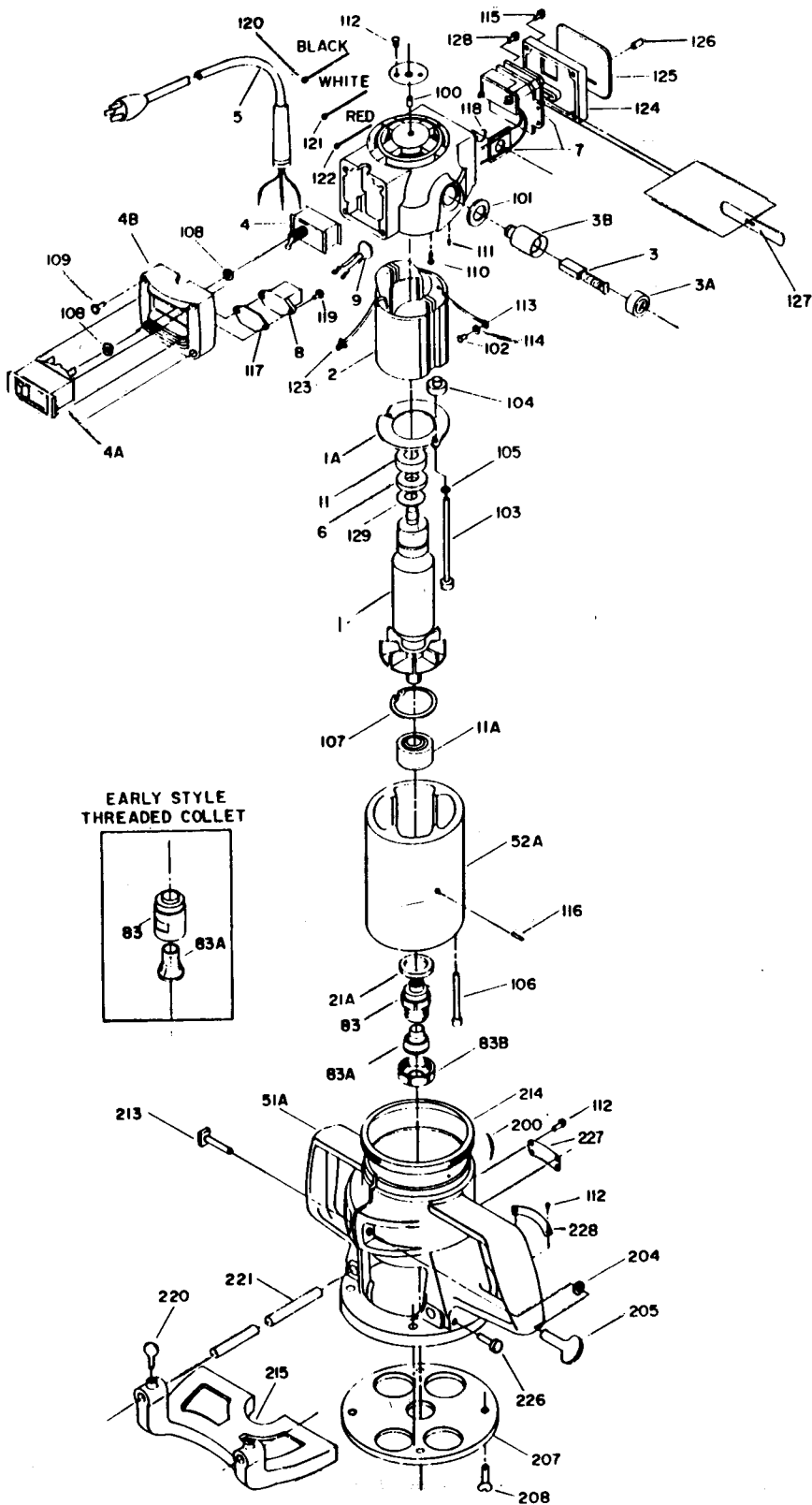


# PORTER-CABLE SPEEDTRONIC™ ROUTER

WARNING! Electrical repairs should only be attempted by trained repairmen. Contact the nearest Porter-Cable Service Center or other competent repair center.

5181  
5182



## Parts List for 518 Type 1

Item Number	Part Number	Description	Qty Required
1	695080	ARMATURE	1
1	000000-00	No Longer Available	1
2	695079	FIELD	1
3	695414	BRUSH & SPRING	2
3	851403	CAP	1
3	000000-00	No Longer Available	1
4	876771	SWITCH	1
4	000000-00	No Longer Available	1
5	695669	CORD	1
6	694582	MAGNETIC DISC	1
7	000000-00	No Longer Available	1
8	000000-00	No Longer Available	1
9	000000-00	No Longer Available	1
11	330003-75	BEARING, BALL	3
11	000000-00	No Longer Available	3
21	854626	SEAL	1
51	694440	BASE CASTING	1
52	000000-00	No Longer Available	1
52	851483	HSG ASSY	1
83	A22709	OPEN-END WRENCH	1
83	000000-00	No Longer Available	1
83	42950	1/2 INCH COLLET ASSY	1
83	698800	1/2 COLLET	1
83	698800	1/2 COLLET	1
100	859069	PLUG	1
101	853518	WASHER	10
102	844107	SCREW	10

COPYRIGHT© 2005. All Rights Reserved.

Parts list, pricing, and availability subject to change. Please visit [www.dewaltservicenetwork.com](http://www.dewaltservicenetwork.com) for current parts information.

## Parts List for 518 Type 1

Item Number	Part Number	Description	Qty Required
103	000000-00	No Longer Available	10
104	861313	NUT	10
105	000000-00	No Longer Available	10
106	802434	SCREW	10
107	000000-00	No Longer Available	1
108	694771	HEX NUT	1
109	694649	SCREW SWITCH COVER	10
110	802764	SCREW	10
111	000000-00	No Longer Available	1
112	801896	SCREW	10
113	849314	TERM	1
114	802648	WASHER	10
115	000000-00	No Longer Available	1
116	800980	PIN	1
117	000000-00	No Longer Available	2
118	000000-00	No Longer Available	10
119	694772	SCREW	10
120	000000-00	No Longer Available	1
121	000000-00	No Longer Available	1
122	000000-00	No Longer Available	1
123	689032	CONNECTOR	1
124	696880	COVER	1
125	000000-00	No Longer Available	1
126	000000-00	No Longer Available	1
127	000000-00	No Longer Available	1
128	858008	SCREW	10
129	803496	WASHER	10

COPYRIGHT© 2005. All Rights Reserved.

Parts list, pricing, and availability subject to change. Please visit [www.dewaltservicenet.com](http://www.dewaltservicenet.com) for current parts information.

## Parts List for 518 Type 1

Item Number	Part Number	Description	Qty Required
200	800869	SPRING	3
204	823374	WASHER	10
205	874582	CLAMP KNOB	10
207	695870	BASE-SUB	1
208	800539	SCREW	10
213	685526	SCREW	10
214	000000-00	No Longer Available	1
215	000000-00	No Longer Available	1
220	000000-00	No Longer Available	10
221	000000-00	No Longer Available	1
226	800191	SCREW	10
227	000000-00	No Longer Available	1
228	000000-00	No Longer Available	1
229	18055	WRENCHOPEN END	1
230	000000-00	No Longer Available	1
231	A22709	OPEN-END WRENCH	1
231	A22709	OPEN-END WRENCH	1
232	851672	FAN	1

COPYRIGHT© 2005. All Rights Reserved.

Parts list, pricing, and availability subject to change. Please visit [www.dewaltservicenet.com](http://www.dewaltservicenet.com) for current parts information.