

SERVICE PARTS LIST

BUL. 54-22-5010

DIE GRINDER

REVISED BUL. DATE
APRIL '79

Catalog No.

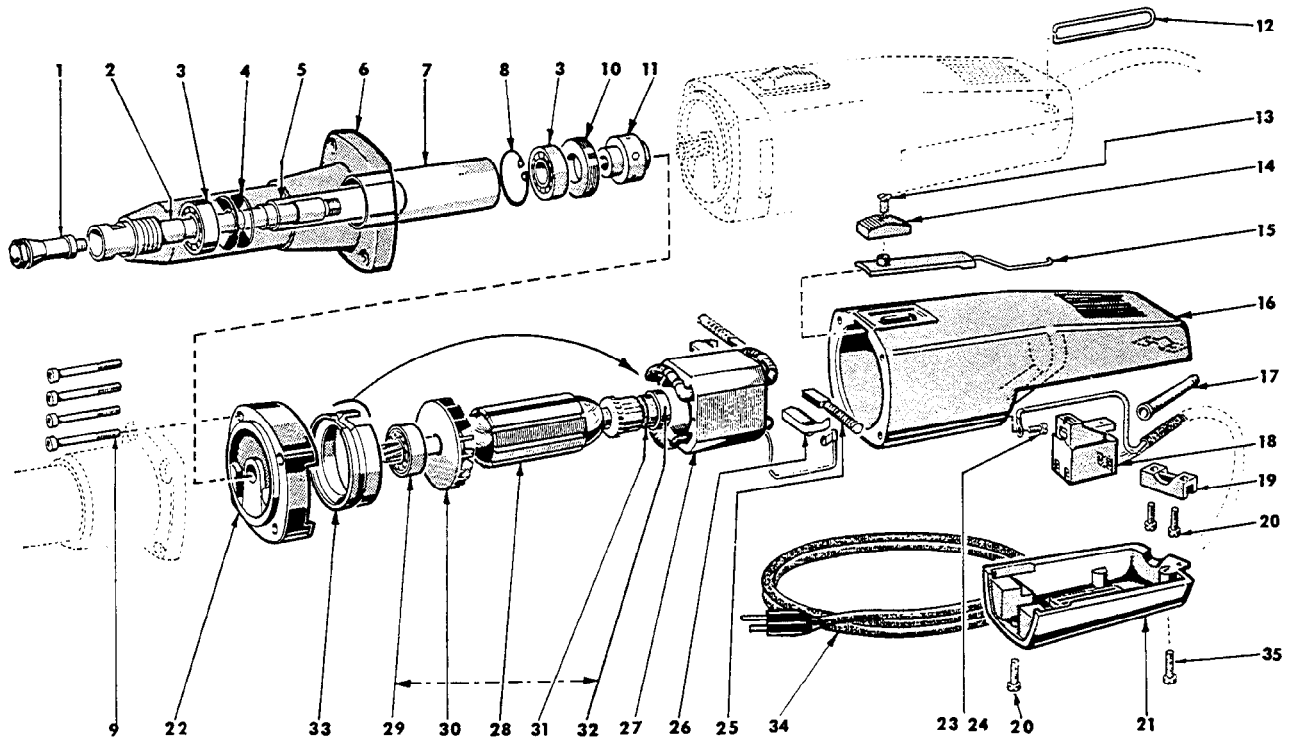
5191

Starting Serial No. 441-1001

WIRING INSTRUCTIONS
58-01-0670

Specify Catalog and Serial No. when ordering parts

34,000 R.P.M.



NOTE: Unless indicated otherwise, dimensions given are in millimeters

FIG.	PART NO.	DESCRIPTION OF PART	NO. REQ.	FIG.	PART NO.	DESCRIPTION OF PART	NO. REQ.
1	48-66-0910	Collet 1/4"	1	22	28-28-1460	Diaphragm	1
2	38-50-5060	Spindle	1	23	05-89-0025	Pan Hd. Ground Screw 3.5x6	1
3	02-04-1220	Ball Bearing	2	24	06-97-1800	Lock Washer	1
4	40-50-0060	Saucer Spring	2	25	22-18-0480	Carbon Brush	2
5	45-36-0695	Spacer Sleeve	1	26	22-20-0255	Brush Holder	2
6	28-14-1345	Gear Case	1	27	18-12-0010	110 Volt Field	1
7	45-36-0690	Spacer Sleeve	1	28	16-12-0010	110 Volt Armature (Includes Figs. 29 thru 32)	1
8	34-80-2225	Retaining Ring	1	29	02-04-0825	Ball Bearing	1
9	05-70-0330	Flat Hd. Screw 3.5 x30	4	30	-	Fan	1
10	44-40-0365	Retaining Nut	1	31	31-86-0130	Insulating Disc	1
11	42-90-0145	Complete Coupling	1	32	02-04-0650	Ball Bearing	1
12	42-36-0715	Suspension Bracket	1	33	31-05-0020	Air Baffle Ring	1
13	05-80-0404	Flat Hd. Screw 4x4	1	34	22-64-0705	Cord Set	1
14	31-92-0010	Trigger	1	35	05-81-0415	Pan Hd. Screw 4 x 15	1
15	44-10-0010	Trigger Lever	1			NOT SHOWN	
16	31-50-0010	Motor Housing	1	49-96-4112		Open End Wrench 12	1
17	23-82-0260	Cord Entry Sleeve	1	49-96-4115		Open End Wrench 15	1
18	23-66-0895	Switch	1	12-98-7098		Nameplate	1
19	31-17-0055	Cord Clamp	1	12-98-7100		Instruction Plate	1
20	05-81-0412	Pan Hd. Screw 4x12	3	12-98-7080		Warning Plate	1
21	31-15-0070	Handle Cover	1	05-82-0305		Switch Screw 3x5.5	4