



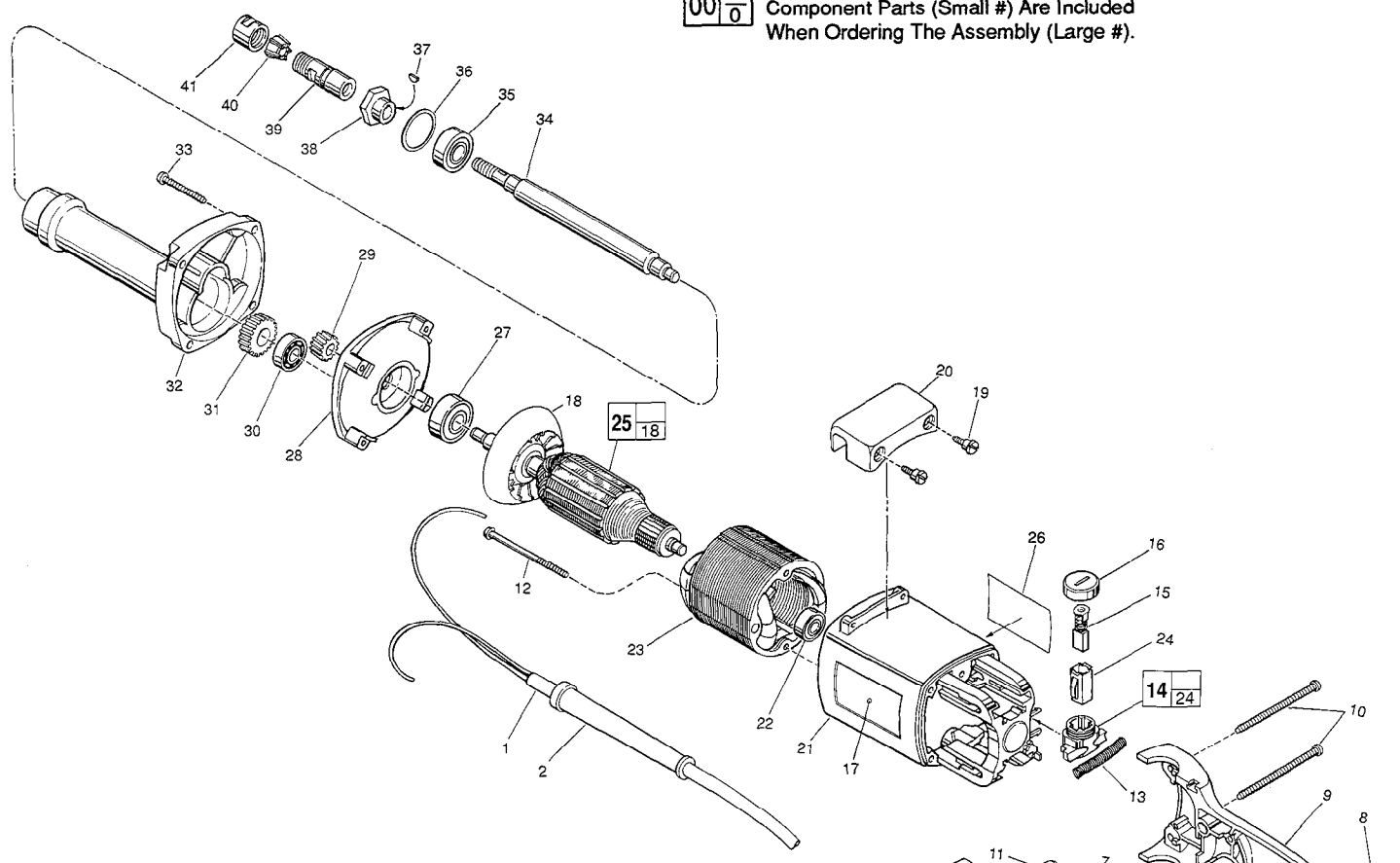
SERVICE PARTS LIST

BULLETIN NO.
54-22-1044

| | | | |
|--|------|--------------------|---------|
| SPECIFY CATALOG NO. AND SERIAL NO. WHEN ORDERING PARTS | | REVISED BULLETIN | DATE |
| 2" DIE GRINDER | | 54-22-1043 | May '97 |
| CATALOG NO. | 5196 | WIRING INSTRUCTION | |
| STARTING SERIAL NO. | 675C | 58-01-0301 | |

00 0

EXAMPLE:
Component Parts (Small #) Are Included
When Ordering The Assembly (Large #).



| FIG. | PART NO. | DESCRIPTION OF PART | NO. REQ. |
|------|------------|-----------------------------------|----------|
| 1 | 22-64-0785 | Cord Set | (1) |
| 2 | 44-76-0050 | Cord Protector | (1) |
| 3 | 31-44-1116 | Left Handle Half | (1) |
| 4 | 06-55-1050 | 10-24 Hex Nut | (5) |
| 5 | 05-78-0305 | Switch Screw T-15 | (4) |
| 6 | 23-66-1805 | Switch | (1) |
| 7 | 06-82-7409 | 8-16 x 1/2" Pan Hd. Plastite T-20 | (1) |
| 8 | 06-82-2568 | 10-24 x 7/8" Pan Hd. Slit. T-25 | (3) |
| 9 | 31-44-1711 | Right Handle Half | (1) |
| 10 | 06-82-2598 | 10-24 x 2-3/4" Pan Hd. Slit. T-25 | (2) |
| 11 | 42-38-0190 | Bumper | (1) |
| 12 | 06-82-7375 | 8-16 x 2-1/2" Taprite T-20 | (2) |
| 13 | 40-50-7770 | Brush Holder Spring | (2) |
| 14 | 22-22-1325 | Brush Holder Assembly | (2) |
| 15 | 22-18-0680 | Carbon Brush Assembly | (2) |
| 16 | 23-44-0210 | Brush Retaining Screw | (2) |
| ★ 17 | 12-20-5200 | Service Nameplate Kit | (1) |
| 18 | 22-84-0710 | Fan | (1) |
| 19 | 45-04-0720 | Shoulder Screw | (2) |
| 20 | 31-70-0125 | Tool Rest | (1) |
| ★ 21 | 31-50-0548 | Motor Housing | (1) |
| 22 | 02-04-0845 | Ball Bearing | (1) |
| 23 | 18-50-0090 | Field | (1) |
| 24 | 22-20-0660 | Brush Tube | (2) |
| 25 | 16-50-0130 | Armature | (1) |
| ★ 26 | 10-98-1815 | Warning Label | (1) |
| 27 | 02-04-1229 | Ball Bearing | (1) |
| 28 | 28-28-1565 | Diaphragm | (1) |
| 29 | 32-02-3020 | Armature Gear | (1) |
| 30 | 02-04-0910 | Ball Bearing | (1) |

| FIG. | PART NO. | DESCRIPTION OF PART | NO. REQ. |
|------|------------|------------------------------|----------|
| 31 | 32-75-3030 | Spindle Gear | (1) |
| 32 | 28-50-6190 | Spindle Housing | (1) |
| 33 | 06-82-7407 | 10-14 x 1-9/16" Pan Hd. T-20 | (4) |
| 34 | 38-50-5320 | Spindle Shaft | (1) |
| 35 | 02-04-1229 | Ball Bearing | (1) |
| 36 | 34-80-2600 | Internal Retaining Ring | (1) |
| 37 | 06-42-0400 | Woodruff Key | (1) |
| 38 | 43-34-0390 | Collet Flange | (1) |
| 39 | 48-68-0040 | 1/4" Collet Body | (1) |
| 40 | 48-66-0975 | 1/4" Collet | (1) |
| ★ 41 | 48-68-0031 | 1/4" Collet Nut | (1) |
| | 49-96-4040 | 1/2" Open End Wrench | (1) |
| | 49-96-4090 | 11/16" Open End Wrench | (1) |
| | 49-96-4075 | 1" Open End Wrench | (1) |

FIG. LUBRICATION
32 3/4 Oz. Type "D" Grease, No. 49-08-4110.

MILWAUKEE ELECTRIC TOOL CORPORATION
13135 W. LISBON RD., BROOKFIELD, WI 53005