



SERVICE PARTS LIST

BUL. 54-22-9001

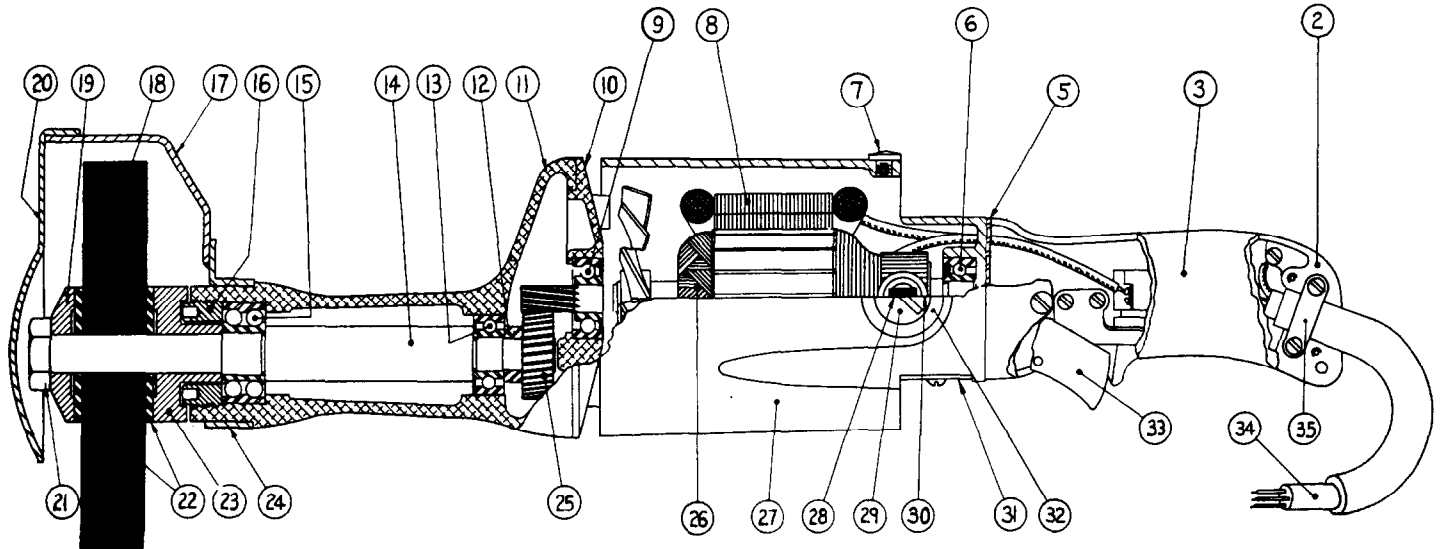
4" GRINDER

Catalog No. 5200-8

Starting Serial No. 283-1023

REVISED BUL. 6283-2 DATE FEB. '68
WIRING INSTR.

Both Model and Serial No. must be furnished to obtain correct parts.



ILLUSTRATED PARTS

FIG.	PART NO.	DESCRIPTION OF PART
2	28-44-1041	Handle (Switch Mounting Side)
3	28-44-9081	Handle (Switch Cover Side)
5		Not Required
6	02-04-1070	Ball Bearing (Comm. End)
7	06-77-1400	Drive Screw Tool Rest Button
8	18-82-1170	Field Assembly
9	02-04-1260	Ball Bearing (Pinion End)
10	28-28-0421	Diaphragm
11	28-50-7601	Spindle Housing
12	45-36-0220	Spindle Gear Spacer
13	02-04-1520	Ball Bearing (Inner)
14	38-50-2051	Spindle
15	02-20-1720	Ball Bearing (Outer)
16	44-40-0180	Bearing Lock Nut
17	43-54-0100	4" Guard Assembly
18	49-92-1120	4" Dia. x 3/4 x 1/2 hole Grinding Wheel (Spec:Grit)

FIG.	PART NO.	DESCRIPTION OF PART
19	43-34-0050	Outer Wheel Flange
20	See Fig. 17	Sold only as an Assembly
21	06-55-2850	1/2"-13 Thread Spindle Nut
22	45-88-0190	Rubber Flange Washers (2)
23	43-34-0070	Inner Wheel Flange
24	See Fig. 17	Sold only as an Assembly
25	32-75-2201	Spindle Gear
26	16-82-1760	Armature Assembly
27	28-50-4562	Motor Housing
28	22-18-0260	Carbon Brush Assemblies (per set 2)
29	23-44-0065	Brush Ret. Cap Assemblies (per set 2)
30	22-22-0130	Brush Holder Assembly (2)
31	44-66-0100	Commutator Cover Plate
32	22-24-0100	Brush Holder Bushing Steel (2)
33	23-66-0250	Switch Assembly
34	22-64-0160	Cord Set
35	28-17-0200	Cord Clamp Strap

MISCELLANEOUS PARTS NOT SHOWN

PART NO.	DESCRIPTION OF PART	PART NO.	DESCRIPTION OF PART
28-79-0241	Tool Rest	06-83-2650	1/4"-20x3/8"Hd'less Brush Holder Set Screws (2)
12-98-3500	Name Plate	06-81-8950	8-32x2 1/4"Fil.Hd.Sems Field Screws (2)
23-86-0130	Insulating Washer (2)	06-81-8625	6-32x1/4"Rd.Hd.Sems Ground Wire Screw (Brass)
06-81-6100	8-32x7/16"Fil.Hd.Sems Cord Clamp Strap Scs (2)	06-81-8200	4-36 Rd.Hd. Name Plate Screws (2)
06-81-7150	10-24x1-3/8"Fil.Hd.Spindle Housing Scs.Sems (4)	06-81-8650	6-32x1/4"Rd.Hd.Comm.Cover Plate Screws Sems (2)
06-81-3750	8-32x1"Oval Hd. Handle Cover Screws	06-81-6950	10-24x1/2"Fil.Hd.Sem Tool Rest Screws (2)
06-81-3700	8-32x7/8"Oval Hd. Handle Cover Screws (2)	06-81-5400	8-32x5/16"Binder Hd.Sems Switch Mtg. Screws (2)
06-81-7550	12-24x3/4"Fil.Hd. Switch Handle Screws (4)	06-42-2000	Woodruff Key

Numbers in brackets indicate number required.
Our minimum charge is \$1.00 NET.

Wire wheel brushes, grinding wheels and cloth buffing wheels greatly increase the scope of your grinder's versatility. A bench base is available for mounting the grinder which offers all the advantages of a bench grinder. Make it a point to see these attachments at your MILWAUKEE distributor or write factory direct for complete information.