



SERVICE PARTS LIST

BUL. 54-22-5000

STRAIGHT GRINDER

REVISED BUL. DATE
APRIL '79

Catalog No.

5265

Starting Serial No. 448-1001

WIRING INSTRUCTIONS
58-01-0680

Specify Catalog and Serial No. when ordering parts

21000 R.P.M.
4.4 AMPS

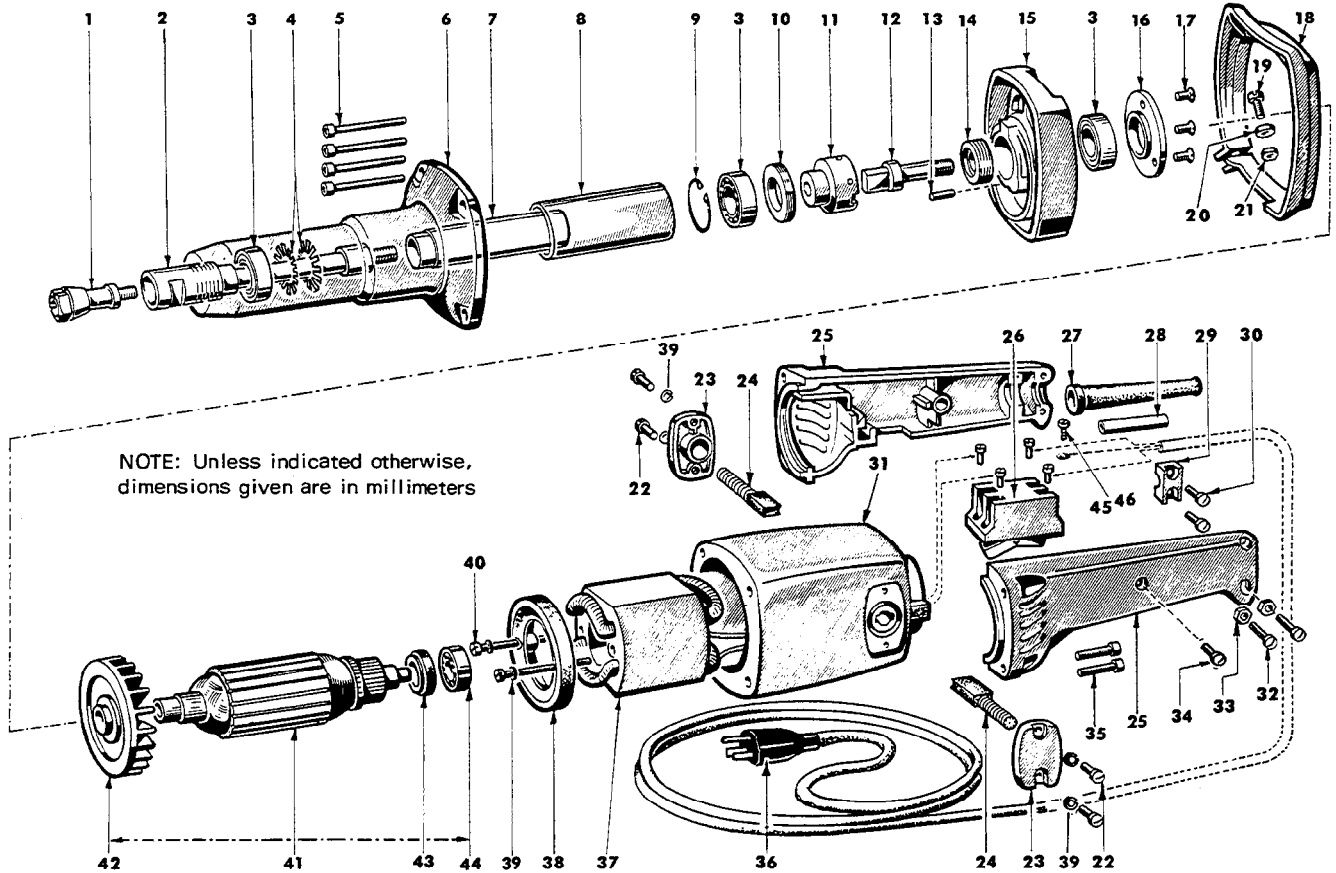


FIG.	PART NO.	DESCRIPTION OF PART	NO. REQ.	FIG.	PART NO.	DESCRIPTION OF PART	NO. REQ.	
1	48-66-0910	Collet 1/4"	1	28	23-82-0275	Insulating Tubing	1	
2	38-50-5060	Spindle	1	29	31-17-0055	Cord Clamp	1	
3	02-04-1220	Ball Bearing	3	30	05-81-0410	Pan Hd. Screw 4x10	2	
4	40-50-0060	Saucer Spring	2	31	28-50-6145	Motor Housing	1	
5	05-74-0535	Socket Hd. Screw 5x35	4	32	05-81-0410	Pan Hd. Screw 4x10	2	
6	28-14-1350	Gear Case	1	33	05-55-0104	Hex Nut 4	2	
7	45-36-0695	Spacer Sleeve	1	34	05-81-0410	Pan Hd. Screw 4x10	4	
8	45-36-0690	Spacer Sleeve	1	35	05-74-0522	Socket Hd. Screw 5x22	1	
9	34-80-2225	Retaining Ring	1	36	22-64-0705	Cord Set	1	
10	44-40-0365	Retaining Nut	1	37	18-22-1180	110 Volt Field	1	
11	42-90-0150	Complete Coupling	1	38	31-05-0025	Air Deflector Baffle	1	
12	36-18-0010	Drive Shaft	1	39	05-90-0104	Lock Washer	6	
13	44-60-0395	Cylindrical Pin	1	40	05-81-0455	Pan Hd. Screw 4x55	2	
14	45-06-0170	Sealing Ring	1	41	16-22-1300	110 Volt Armature (Includes Figs. 42 thru 44)	1	
15	28-28-1465	Diaphragm	1	42	-	Fan	1	
16	44-86-0175	Bearing Retainer	1	43	31-86-0135	Insulating Spacer	1	
17	05-80-0410	Flat Hd. Screw 4x10	3	44	02-04-0705	Ball Bearing	1	
18	31-05-0030	Air Conducting Baffle (Includes Figs. 19 thru 21)	1	45	05-81-0408	Pan Hd. Ground Screw 4x8	1	
19	05-81-0415	Pan Hd. Screw 4x15	1	46	06-97-2000	Lock Washer	1	
20	45-88-7245	Dubo-Ring	1					
21	05-55-0104	Hex Nut 4	1					
22	05-82-0410	Fillister Hd. Screw 4x10	4					
23	31-12-0090	Brush Holder Cap	2					
24	22-18-0485	Carbon Brush	2					
25	31-44-0300	Complete Handle Set (Both Halves)	1					
26	23-66-0900	Switch	1					
27	23-82-0270	Cord Entry Sleeve	1					
						NOT SHOWN		
						49-96-4112	Open End Wrench 12	1
						49-96-4115	Open End Wrench 15	1
						12-98-7098	Nameplate	1
						12-98-7105	Instruction Plate	1
						12-98-7080	Warning Plate	1
						05-82-0408	Switch Screw 4x8	4