



SERVICE PARTS LIST

BULLETIN NO.

54-24-0352

SPECIFY CATALOG NO. AND SERIAL NO. WHEN ORDERING PARTS		REVISED BULLETIN	DATE
1-1/2" VARIABLE SPEED ROTARY HAMMER		54-24-0351	May 2008
CATALOG NO. 5352	STARTING SERIAL NO. 779A	WIRING INSTRUCTION 58-01-1230	

EXAMPLE:



Component Parts (Small #) Are Included When Ordering The Assembly (Large #).

DO NOT WASH OR DEGREASE CRANK ASSEMBLY

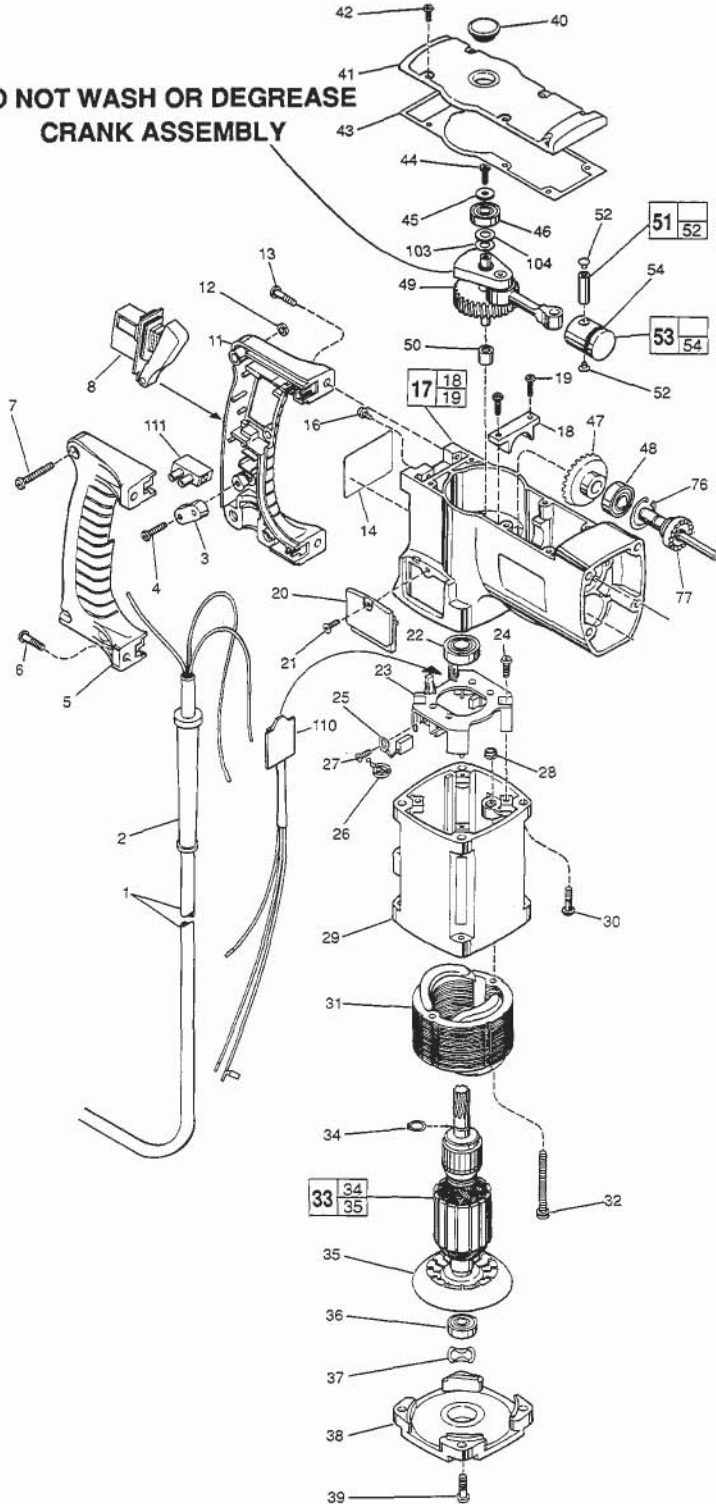


FIG.	PART NO.	DESCRIPTION OF PART	NO. REQ.
1	22-64-0121	Cord Set	(1)
2	44-76-0050	Cord Protector	(1)
3	31-17-0180	Cord Clamp	(1)
4	05-78-0571	M4.55 x 1.59 x 19 Pan Hd. Screw	(2)
5	31-44-1620	Right Handle Half	(1)
6	05-78-0570	M4.55 x 1.59 x 16 Pan Hd. Screw	(2)
7	05-81-0650	M5 x .8 x 25 Pan Hd. Screw	(3)
8	23-66-1930	Switch	(1)
11	31-44-1610	Left Handle Half	(1)
12	05-55-0610	M5 x .8 Hex Nut	(3)
13	05-78-0665	M5 x .8 x 20 Pan Hd. Screw	(2)
★ 14	12-20-0710	Service Nameplate Kit	(1)
★ 16	05-88-8300	M4 x .7 x 10 Pan Hd. T-20 Ground Sc.	(1)
17	28-14-2182	Crankcase	(1)
18		Bearing Cap	(1)
19	05-78-0460	M4 x .7 x 16 Pan Hd. Screw	(2)
20	31-15-0250	Brush Cover	(2)
21	05-78-0440	M4 x .7 x 10 Pan Hd. Screw	(2)
22	02-04-1203	Ball Bearing	(1)
★ 23	22-22-1450	Brush Carrier Assembly	(1)
24	05-78-0340	M3.63 x 1.34 x 10 Pan Hd. Screw	(2)
25	22-18-0780	Carbon Brush (2) Kit	(1)
26	23-52-1550	Brush Spring	(2)
27	05-78-0405	M4 x .7 x 10 Pan Hd. Screw	(2)
28	06-57-3005	10-32 Locking Hex Nut	(2)
29	31-50-0940	Motor Housing	(1)
30	05-74-0515	M5 x .8 x 20 Socket Hd. Sems	(4)
31	18-50-0151	120 Volt Field	(1)
32	06-81-7470	10-32 x 1-7/8 Pan Hd. Sems	(2)
33	16-50-0150	120 Volt Armature	(1)
34	34-60-0950	Retaining Ring	(1)
35	22-84-0710	Fan	(1)
36	02-04-0850	Ball Bearing	(1)
37	45-88-0577	Wave Washer	(1)
38	31-15-0270	Motor Housing Cover	(1)
39	05-78-0570	M4.55 x 1.59 x 16 Pan Hd. Screw	(4)
40	31-12-0220	Cover Cap	(1)
41	28-20-1311	Crank Case Cover	(1)
42	05-78-0460	M4 x .7 x 10 Pan Hd. Screw	(6)
43	43-44-0650	Gasket	(1)
44	05-78-0440	M4 x .7 x 10 Pan Hd. Screw	(1)
45	45-88-0920	Flat Washer - Spring Steel	(1)
46	02-04-0850	Ball Bearing	(1)
47	32-05-1250	Bevel Gear	(1)
48	02-04-1022	Ball Bearing	(1)
49	14-09-0105	Crank Assembly	(1)
50	02-50-1645	Needle Bearing	(1)
51	44-60-0790	Piston Pin Assembly	(1)
52	42-42-0240	Button	(2)
53	14-46-5000	Piston Assembly	(1)
54	34-40-4090	O-Ring	(1)
76	34-80-2006	Internal Retaining Ring	(1)
77	36-14-0700	Clutch Shaft	(1)
103		.003 Shim Washer	(1)
104		.008 Shim Washer	(1)
110	14-20-0380	Remote Module Assembly	(1)
111	22-56-0480	Terminal Block	(1)
	10-98-6850	Product Label	(2)

● 14-46-1193 1-1/2" HAMMER SERVICE KIT
THIS KIT INCLUDES:

- 1 31-12-0220 Cover Cap
- 1 34-40-4085 O-Ring
- 2 34-40-4090 O-Ring
- 1 34-40-4095 O-Ring
- 1 34-40-4100 O-Ring
- 1 43-44-0650 Gasket
- 1 43-44-0670 Gasket
- 1 43-44-0920 Gasket
- 1 45-06-0290 Quad Ring Seal
- 1 49-08-4161 5 Oz. Tube "K" Grease

SEE REVERSE SIDE

MILWAUKEE ELECTRIC TOOL CORPORATION
13135 W. LISBON RD., BROOKFIELD, WI 53005

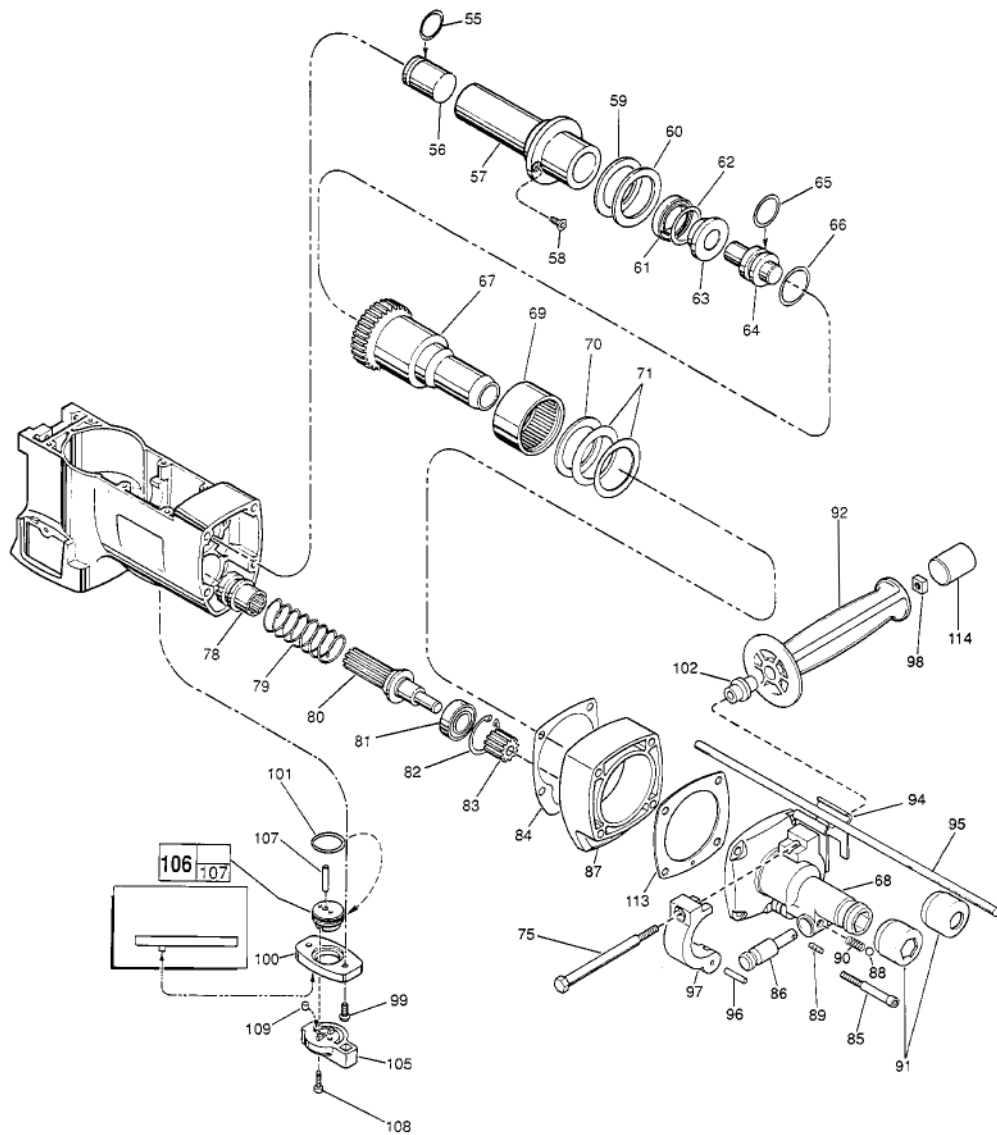


FIG.	PART NO.	DESCRIPTION OF PART	NO. REQ.
	55	34-40-4090 ● O-Ring	(1)
	56	44-82-0102 Ram	(1)
	57	42-98-0165 Service Barrel Assembly	(1)
	58	05-78-0435 M4 x .7 x 13 Flat Hd. Taprite Screw	(2)
	59	44-90-0562 Damping Ring - Plastic	(1)
	60	45-88-7851 Thrust Washer - Steel	(1)
	61	45-88-8015 Cushion Washer	(1)
	62	34-40-4085 ● O-Ring	(1)
	63	45-88-8020 Cushion Washer	(1)
	64	45-56-2551 Striker	(1)
	65	34-40-4095 ● O-Ring	(1)
	66	34-40-4100 ● O-Ring	(1)
	67	38-50-5541 Spindle	(1)
★	68	14-52-0010 Nose Assembly	(1)
	69	02-50-9976 Needle Bearing	(1)
★	70	45-88-0900 Thrust Washer	(1)
	71	40-50-7850 Belleville Spring	(2)
★	75	06-14-0020 3/8-16 x 4" Hex Head Bolt	(1)
	78	36-14-0710 Splined Clutch	(1)
	79	40-50-3250 Clutch Spring	(1)
	80	14-08-0125 Splined Clutch Assembly	(1)
	81	02-04-1510 Ball Bearing	(1)
	82	34-80-2355 Internal Retaining Ring	(1)
	83	32-60-2160 Pinion	(1)
	84	43-44-0670 ● Gasket	(1)
★	85	05-74-0650 M6 x 1.0 x 50 Socket Hd. Cap Screw	(4)
★	86	44-20-0222 Bit Lock	(1)
★	87	28-14-2220 Intermediate Housing	(1)
★	88	02-02-0250 1/4" Steel Ball	(1)
★	89	06-65-0828 Groove Pin	(1)

FIG.	PART NO.	DESCRIPTION OF PART	NO. REQ.
★	90	40-50-8420 Spring	(1)
★	91	45-06-0540 Dust Seal - Hex	(1)
★		45-06-0550 Dust Seal - Round	(1)
	92	43-62-0840 Side Handle	(1)
	94	42-68-0390 Depth Gage Clamp	(2)
	95	44-94-0165 Depth Gage Rod	(1)
	96	06-65-0631 Groove Pin	(1)
★	97	28-82-0190 Handle Ring Half	(2)
★	98	06-54-0310 Square Nut	(1)
	99	05-78-0440 M4 x .7 x 10 Pan Hd. Screw	(2)
	100	44-86-0530 Shift Lever Retainer	(1)
	101	34-40-4160 O-Ring	(1)
★	102	45-36-1590 Spacer	(1)
	105	44-10-0150 Shift Lever	(1)
	106	14-14-0152 Shift Disc Assembly	(1)
	107	----- Dowel Pin	(1)
	108	05-78-0300 M3 x .5 x 16MM Socket Hd. Screw	(2)
	109	45-30-0060 Retaining Slug	(1)
★	113	43-44-0920 ● Gasket	(1)
★	114	44-68-0560 Plug-Cap	(1)

FIG. 19,58,87 NOTES:
 50 Apply Type 242 Blue Loctite. Torque To 30-35 In.-Lb.
 Press Flush To Bottom Of Bore (1.845 Deep).
 85 Apply Type 242 Blue Loctite and Torque To 130-140 In.-Lb.

FIG. LUBRICATION
 49 2-1/2 Oz. Type "K" Grease, No. 49-08-4161.
 80 1-1/2 Oz. Type "K" Grease, No. 49-08-4161.
 83 1 Oz. Type "K" Grease, No. 49-08-4161.

Grease All Rubber Parts When Assembling .