



SERVICE PARTS LIST

BUL. 54-24-3041

3/4" ELECTRIC HAMMER

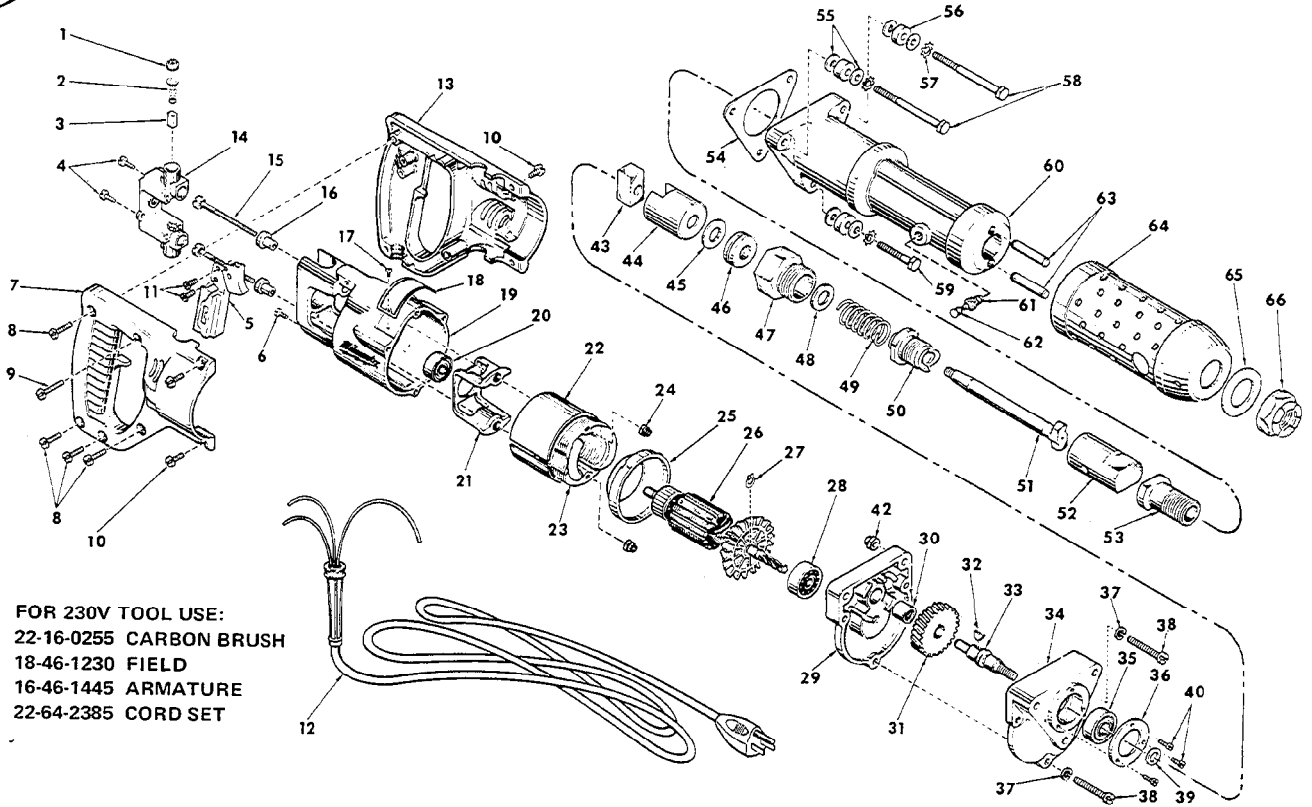
REVISED BUL. 54-24-3040 DATE Mar. '74

Catalog No. 5361

Starting Serial No. **489-1322**

WIRING INSTRUCTIONS **58-01-0176**

Specify Catalog and Serial No. when ordering parts



FOR 230V TOOL USE:
 22-16-0255 CARBON BRUSH
 18-46-1230 FIELD
 16-46-1445 ARMATURE
 22-64-2385 CORD SET

FIG.	PART NO.	DESCRIPTION OF PART	NO. REQ.	FIG.	PART NO.	DESCRIPTION OF PART	NO. REQ.
1	23-44-0150	Brush Retaining Screw	(2)	35	02-04-1250	Ball Bearing	(1)
2	23-52-0160	Brush Spring	(2)	36	44-66-0060	Cover Plate	(1)
3	22-16-0250	Carbon Brush	(2)	37	06-97-3600	Lock Washer	(3)
4	06-81-5475	6-32x3/8 Binding Hd. Sem	(2)	38	06-81-1475	12-24x1-1/8 Fil. Hd. Screw	(3)
5	23-66-0505	Switch	(1)	39	45-88-0080	Chuck Washer	(1)
6	06-81-8625	6-32x1/4 Ground Screw	(1)	40	06-81-5800	6-32x5/16 Fil. Hd. Sem	(3)
7	31-44-0370	R.H. Half D Handle	(1)	41	14-12-0110	Cylinder Assy. (Incl. Figs. 42 thru 66)	(2)
8	06-81-0400	8-32x3/4 Pan Hd. Screw	(4)	42	06-57-5000	1/4-20 Lock Nut	(1)
9	06-81-0470	8-32x1 Pan Hd. Screw	(1)	43	43-12-0050	Male Driver	(1)
10	06-81-0045	8-32x1/2 Pan Hd. Screw	(4)	44	43-12-0070	Female Driver	(1)
11	06-81-5500	8-32x 3/8 Binding Hd. Sem	(2)	45	45-88-0310	Thrust Washer 1/32	} As Required
12	22-64-0385	Cord Set	(1)	45	45-88-5340	Thrust Washer 1/16	
13	31-44-0380	L.H. Half D Handle	(1)	45	45-88-5360	Thrust Washer 3/32	
14	22-22-0300	Brush Holder Assembly	(1)	46	02-80-1000	Thrust Bearing	(1)
15	06-81-1050	8-32x2-7/16 Field Bolt	(2)	47	44-40-0080	Mechanism Nut	(1)
16	31-86-0120	Insulating Spacer	(2)	48	45-88-0100	Steel Washer	(1)
17	06-85-0200	6x1/4 Rd. Hd. Type Z Screw	(2)	49	40-50-1100	Compression Spring	(1)
18	12-99-0032	Nameplate	(1)	50	42-50-0060	Female Cam	(1)
★19	28-50-6148	Motor Housing	(1)	51	36-10-0501	Cam Shaft	(1)
★20	02-04-0891	Ball Bearing	(1)	52	44-62-0060	Piston	(1)
21	31-55-0080	Coil Shield	(1)	53	42-40-0080	Nose Bushing	(1)
★22	23-16-0455	Field Insulator	(1)	54	43-44-0050	Shock Absorber Gasket	(1)
★23	18-42-1230	115 V. Field	(1)	55	45-88-5220	Flat Washer	(6)
24	06-57-2975	8-32 Flexlock Hex Nut	(2)	56	45-88-0090	Shock Absorber Washer	(3)
★25	31-05-0050	Baffle	(1)	57	06-97-1000	Lock Washer	(3)
★26	16-42-1445	115 Volt Armature (Incl. Fig. No. 27)	(1)	58	06-75-0250	1/4-20x2-1/2 Hex. Hd. Cap Screw	(2)
27	34-60-0700	Snap Ring	(1)	59	06-75-0200	1/4-20x1-1/4 Hex. Hd. Cap Screw	(1)
28	02-04-0970	Ball Bearing	(1)	60	28-25-0141	Hammer Cylinder (Incl. Figs. 61 thru 63)	(1)
★29	28-28-0162	Diaphragm	(1)	61	43-33-0050	Grease Fitting	(1)
30	02-50-2110	Needle Bearing	(1)	62	42-52-0100	Lube Cap	(1)
31	32-75-1241	Spindle Gear	(1)	63	44-60-0140	Piston Pin	(2)
32	06-42-1200	Woodruff Key	(1)	64	45-12-0070	Perforated Shield Assy.	(1)
33	38-50-1351	Spindle	(1)	65	45-88-5420	Flat Washer	(1)
34	28-14-0321	Gear Case	(1)	66	44-40-0090	Elastic Stop Nut	(1)
				★67	12-98-7081	Caution Plate (Not Shown)	(1)