



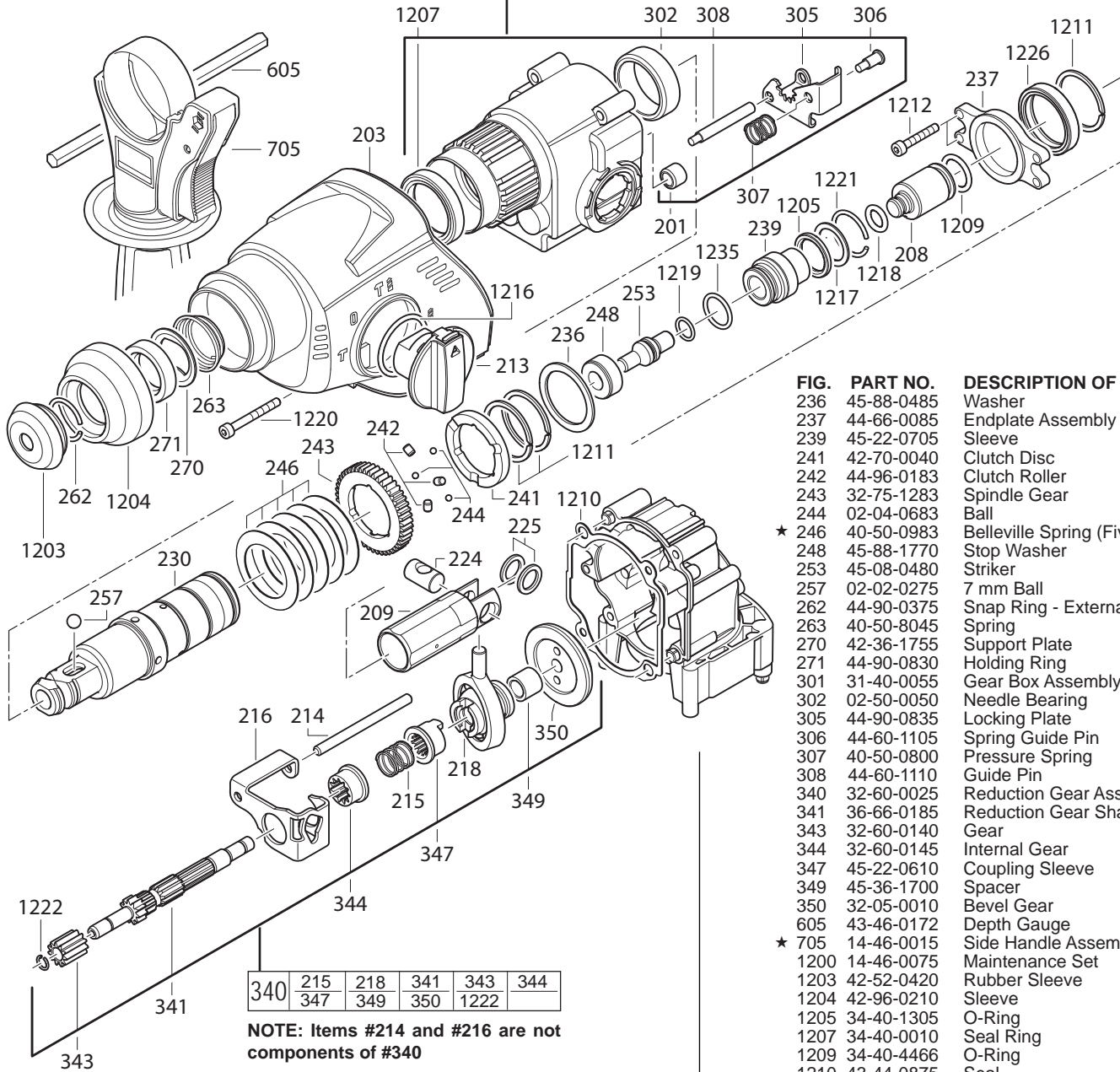
SERVICE PARTS LIST

BULLETIN NO.
54-24-5360

SPECIFY CATALOG NO. AND SERIAL NO. WHEN ORDERING PARTS				REVISED BULLETIN	DATE
1" COMPACT SDS ROTARY HAMMER					Dec. 2012
CATALOG NO.	5363-21	STARTING SERIAL NO.	B03A	WIRING INSTRUCTION 58-01-1280	

EXAMPLE:
Component Parts (Small #) Are Included
When Ordering The Assembly (Large #).

301	1207	308	306	201
	302	305	307	



340	215	218	341	343	344
	347	349	350	1222	

NOTE: Items #214 and #216 are not components of #340

FIG.	PART NO.	DESCRIPTION OF PART	NO. REQ.
201	02-50-2183	Needle Bearing	(1)
203	34-40-0186	Gear Box Housing Cover	(1)
208	45-56-0076	Ram	(1)
209	44-62-0055	Cylinder	(1)
213	44-10-0670	Switch Handle	(1)
214	44-60-0756	Pin	(1)
215	40-50-0883	Spring	(1)
216	44-90-0500	Shift Ring	(1)
218	36-92-0583	Wobble Plate	(1)
224	44-60-0483	Wrist Pin	(1)
225	45-88-0283	Washer	(2)
230	32-75-0041	Spindle	(1)

FIG.	PART NO.	DESCRIPTION OF PART	NO. REQ.
236	45-88-0485	Washer	(1)
237	44-66-0085	Endplate Assembly	(1)
239	45-22-0705	Sleeve	(1)
241	42-70-0040	Clutch Disc	(1)
242	44-96-0183	Clutch Roller	(3)
243	32-75-1283	Spindle Gear	(1)
244	02-04-0683	Ball	(3)
★ 246	40-50-0983	Belleville Spring (Five Required)	(5)
248	45-88-1770	Stop Washer	(1)
253	45-08-0480	Striker	(1)
257	02-02-0275	7 mm Ball	(1)
262	44-90-0375	Snap Ring - External	(1)
263	40-50-8045	Spring	(1)
270	42-36-1755	Support Plate	(1)
271	44-90-0830	Holding Ring	(1)
301	31-40-0055	Gear Box Assembly	(1)
302	02-50-0050	Needle Bearing	(1)
305	44-90-0835	Locking Plate	(1)
306	44-60-1105	Spring Guide Pin	(1)
307	40-50-0800	Pressure Spring	(1)
308	44-60-1110	Guide Pin	(1)
340	32-60-0025	Reduction Gear Assy	(1)
341	36-66-0185	Reduction Gear Shaft	(1)
343	32-60-0140	Gear	(1)
344	32-60-0145	Internal Gear	(1)
347	45-22-0610	Coupling Sleeve	(1)
349	45-36-1700	Spacer	(1)
350	32-05-0010	Bevel Gear	(1)
605	43-46-0172	Depth Gauge	(1)
★ 705	14-46-0015	Side Handle Assembly	(1)
1200	14-46-0075	Maintenance Set	(1)
1203	42-52-0420	Rubber Sleeve	(1)
1204	42-96-0210	Sleeve	(1)
1205	34-40-1305	O-Ring	(1)
1207	34-40-0010	Seal Ring	(1)
1209	34-40-4466	O-Ring	(1)
1210	43-44-0875	Seal	(1)
1211	44-90-0350	Snap Ring - External	(3)
1212	05-74-0183	Screw	(8)
1216	34-40-1025	O-Ring	(1)
1217	42-76-0830	Thrust Collar	(1)
1218	34-40-4451	O-Ring	(1)
1219	34-40-0130	O-Ring	(1)
1220	05-74-0685	Socket Head Screw	(4)
1221	44-90-0183	Retaining Ring - Internal	(1)
1222	34-40-0430	Spring Ring	(1)
1226	44-90-0347	Damping Ring	(1)
1235	34-40-0445	O-Ring	(1)

SEE PAGE 3 FOR IMPORTANT SERVICE NOTES

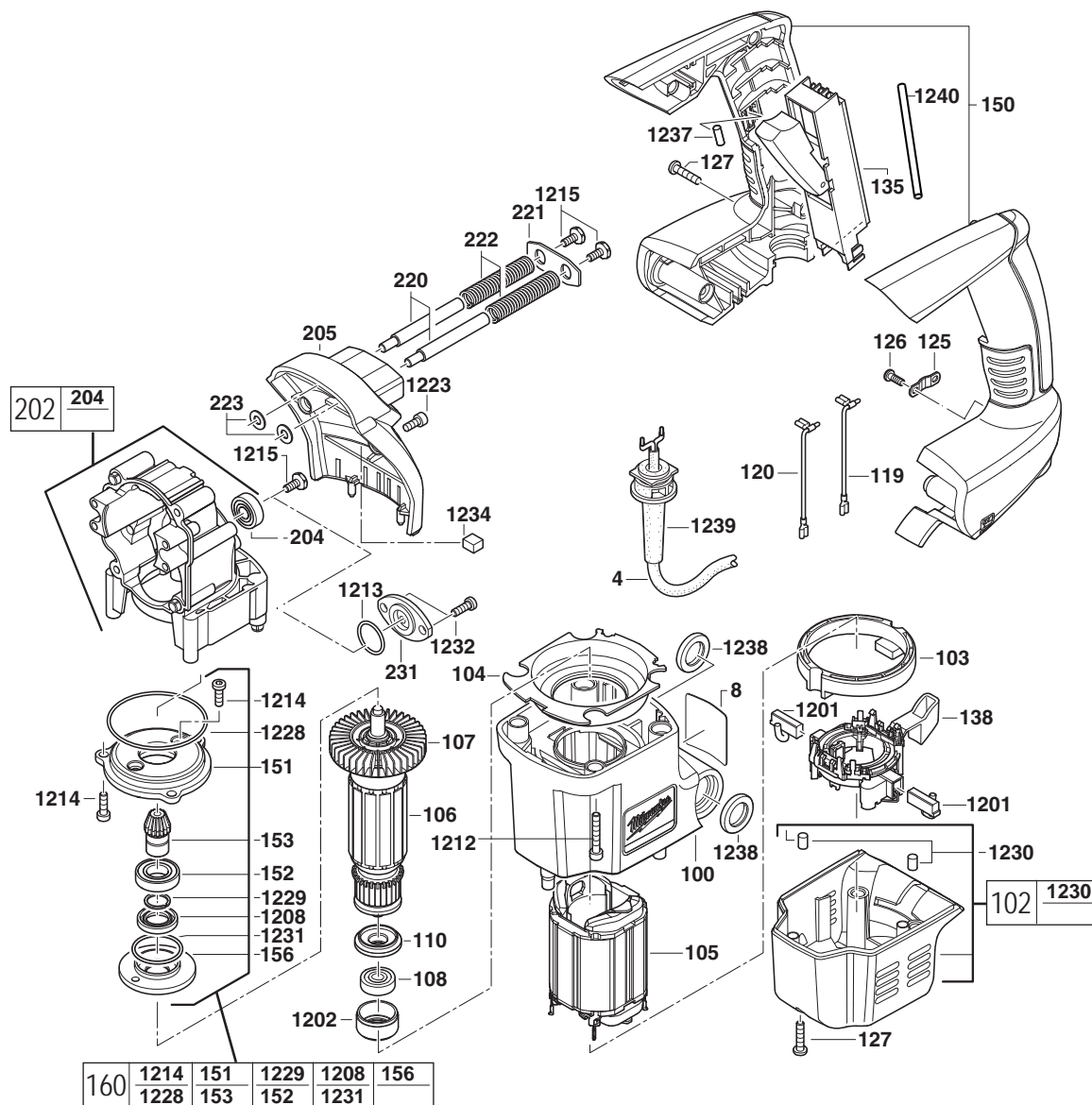


FIG.	PART NO.	DESCRIPTION OF PART	NO. REQ.	FIG.	PART NO.	DESCRIPTION OF PART	NO. REQ.
★	4	22-64-1622 Cord Set	(1)	205	31-15-0760	Gearbox Cover	(1)
	8	12-20-5363 Service Nameplate	(1)	220	44-60-0205	Guide Pin	(2)
	100	31-40-5363 Motor Housing	(1)	221	44-90-0070	Latch Plate	(1)
	102	31-15-0060 Cover Assembly	(1)	222	40-50-0505	Spring	(2)
	103	22-22-0070 Brush Carrier	(1)	223	45-88-0875	Washer	(2)
	104	31-05-0095 Air Deflector Ring	(1)	231	42-92-1520	Bearing Cover	(1)
	105	18-07-0015 Service Field	(1)	1200	14-46-0075	Maintenance Set	(1)
	106	16-07-0015 Service Armature	(1)	1201	22-18-0010	Carbon Brush Set	(1)
	107	22-84-0040 Fan	(1)	1202	42-96-0205	Rubber Sleeve	(1)
	108	02-04-1801 Ball Bearing	(1)	1208	45-06-0095	Seal Ring	(1)
	110	45-88-9000 Insulating Disc	(1)	1213	34-40-0083	O-Ring	(1)
	119	23-94-0155 Wire	(1)	1214	05-74-0715	Socket Head Screw - Plast.	(5)
	120	23-94-0175 Wire	(1)	1215	05-74-0220	Screw	(3)
★	125	31-17-0240 Cord Clamp	(1)	1223	05-74-0225	Screw	(2)
★	126	05-78-0720 Screw	(2)	1228	34-40-0435	O-Ring	(1)
	127	05-78-0715 Screw	(7)	1229	45-88-1775	Spring Ring	(1)
	135	23-66-0405 Switch	(1)	1230	45-30-0055	Slug	(2)
	138	22-22-0075 Brush Carrier	(1)	1231	34-40-0440	O-Ring	(1)
	150	14-38-0115 Handle Assembly	(1)	1232	05-74-0460	Cap Screw	(2)
	151	44-66-0540 Bearing End Plate	(1)	1234	43-84-0443	Felt	(1)
	152	02-04-0090 Ball Bearing	(1)	1237	45-30-0215	Vinyl Slug	(1)
	153	32-60-0015 Pinion	(1)	1238	34-40-0063	O-Ring Motor Housing	(2)
	156	42-92-0165 Bearing Cover	(1)	★	1239	44-76-0075 Cord Protector	(1)
	160	44-66-1146 Bearing End Plate Assembly	(1)	★	1240	45-30-0075 Rubber Slug	(1)
	202	31-15-0105 Gear Box	(1)		49-08-5350	Type "P" Grease (100 g)	(1)
	204	02-04-0056 Ball Bearing	(1)		49-08-4255	Type "Q" Grease (45 g)	(1)

Service Kit 14-46-0075 Contains:

Cat. No.	Description	Qty.			
22-18-0010	Carbon Brush Set	(1)	05-74-0685	Socket Head Screw	(4)
42-96-0205	Rubber Sleeve	(1)	44-90-0183	Retaining Ring - Internal	(1)
42-52-0420	Rubber Sleeve	(1)	34-40-0430	Spring Ring	(1)
42-96-0210	Sleeve	(1)	05-74-0225	Screw	(2)
34-40-1305	O-Ring	(1)	44-90-0347	Damping Ring	(1)
34-40-0010	Seal Ring	(1)	34-40-0435	O-Ring	(1)
45-06-0095	Seal Ring	(1)	45-88-1775	Spring Ring	(1)
34-40-4466	O-Ring	(1)	45-30-0055	Slug	(2)
43-44-0875	Seal	(1)	34-40-0440	O-Ring	(1)
44-90-0350	Snap Ring - External	(3)	05-74-0460	Cap Screw	(2)
05-74-0183	Screw	(8)	43-84-0443	Felt	(1)
34-40-0083	O-Ring	(1)	34-40-0445	O-Ring	(1)
05-74-0715	Socket Head Screw - Plast.	(5)	45-30-0215	Vinyl Slug	(1)
05-74-0220	Screw	(3)	34-40-0063	O-Ring Motor Housing	(2)
34-40-1025	O-Ring	(1)	49-08-5350	Type "P" Grease (100 g)	(1)
42-76-0830	Thrust Collar	(1)	49-08-4255	Type "Q" Grease (45 g)	(1)
34-40-4451	O-Ring	(1)	44-76-0075	Cord Protector	(1)
34-40-0130	O-Ring	(1)	45-30-0075	Rubber Slug	(1)

Service Notes:

Disassembly:

- 220, 1215 Remove screw (s) (1215) from guide bolts (220) evenly to release spring tension.
- 202, 220 Remove guide bolts (220) from gearbox (202) using a 4mm hex key.
- 203, 213 When, removing shift lever (213) from gear case cover (203) follow instructions listed on service bulletin. [see fig. 1]
- 202, 203, 301 Release locking tabs on gearbox cover (203) when removing from gearbox assembly (301 and 202). [see fig. 3]
- 301, 308 Remove guide bolt (308) from gearbox (301) using a 3mm hex key
- 106, 152, 153 Remove armature pinion (153) from armature (106) using Special Service Fixture 61-10-0025.
Note: Place separator plates 61-10-0011 under ball bearing (152) as illustrated in fig. 5.
- 230, 243, 246, 1211 To remove retaining ring (1211) from spindle (230) use service fixture 61-30-0290.
Note: Spindle gear / clutch gear (243) must be compressed against Belleville spring washers (246) before retainer can be removed with a pair of retaining ring pliers. (see fig.8)
- 105, 138 To remove brush carrier (138) from field (105) you must lift brush carrier locking tabs at the front and back of the field board on both sides while applying a light upward force on the carrier.

Reassembly:

- 105, 138 To reassemble brush carrier (138) onto field (105) you must align male prongs of carrier with female mag-mate terminals on the field and push brush carrier down until locking tabs on the brush carrier lock onto the field board.
- 248, 253 Small diameter end of striker (253) must face stop washer (248) in assembly.
- 230, 248 Chamfer side of stop washer (248) must face front of spindle (230).
- 202, 237 Raised bosses on end plate assembly (237) must face gearbox (202) in assembly
- 203, 213 When, reinstalling shift lever (213) into gearcase cover (203) follow instructions shown in fig. 2.
- 220, 306, 308 Apply Blue Loctite ® METCo part # 44-22-0090 to fasteners listed if removed and being reinstalled.
1212, 1214, 1215 New fasteners in service kit will not require Loctite®.
1220, 1223, 1232
- 262, 271 Taper of holding ring (271) must face spring ring (262) in assembly.
- 263, 270 Wide portion of conical spring (263) must face plate (270).
- 341, 349, 350 When reassembling bevel gear (350) onto reduction gear shaft (341) a .001 to .002 clearance must be maintained between bevel gear (350) and spacer (349). [see fig.4]
- 152, 1208 Flared edge of seal (1208) must face ball bearing (152) in assembly.
- 246 Reassemble, Belleville Spring washers as illustrated in fig. 7.
- 106, 107 When replacing a fan (107) on armature assembly (106), refer to illustration shown in fig. 6 for press dimensions.
- 341, 1222 Install a new spring ring retainer (1222) if removed from reduction gear shaft (341).

NOTE: Check the clutch torque. Clutch must slip at 17 to 26 ft. lbs. at the spindle, checked clockwise as viewed from the front of the tool. Selector knob must be set to the hammer only setting.

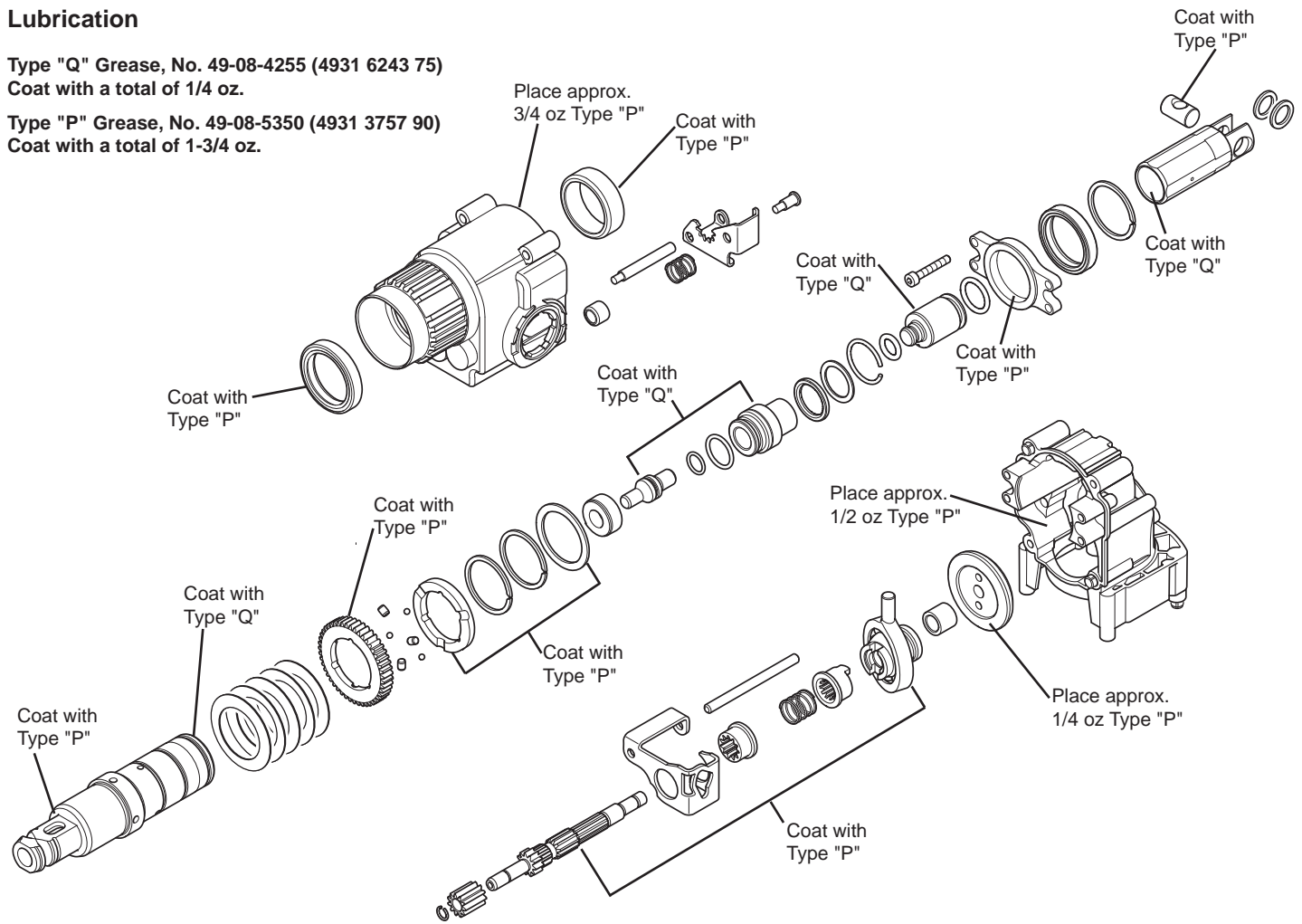
Lubrication

Type "Q" Grease, No. 49-08-4255 (4931 6243 75)

Coat with a total of 1/4 oz.

Type "P" Grease, No. 49-08-5350 (4931 3757 90)

Coat with a total of 1-3/4 oz.



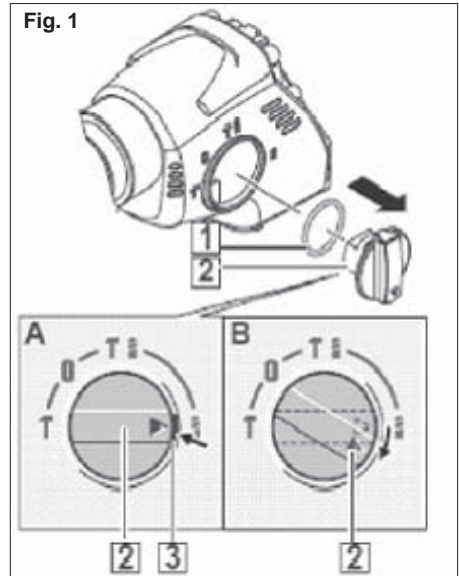
Torque Specifications

Screws in plastic, 15 in. lbs.

Screws in metal, 22 in. lbs. Use Blue Loctite® 242, Cat. No. 44-22-0090

Removing the shift lever

- 1 Bring the shift lever (2) into the Drill-Only position (Illustration A).
- 2 Press in and hold the locking device (3) (Illustration A) and turn the shift lever past the drill icon (Illustration B) until the shift lever (2) can be pulled from the housing.
- 3 Remove the O-ring (1).



Installing the shift lever

- 1 Lightly grease the O-ring (1) and install it into the Shift Lever (2).
- 2 Position the triangle located on the shift lever to the Hammer / Drill icon and insert it into the gearcase (Illustration A). Press the locking device and turn clockwise (Illustration B) until the shift lever (2) engages audibly. After that, turn it back to the required position (C) and release the locking device.

