



SERVICE PARTS LIST

BULLETIN NO.
55-24-0675

SPECIFY CATALOG NO. AND SERIAL NO. WHEN ORDERING PARTS		REVISED BULLETIN	DATE
13mm HAMMER-DRILL			Feb. 2002
CATALOG NO.	5378-51	SERIAL NUMBER	942A
		WIRING INSTRUCTION 58-03-1150	

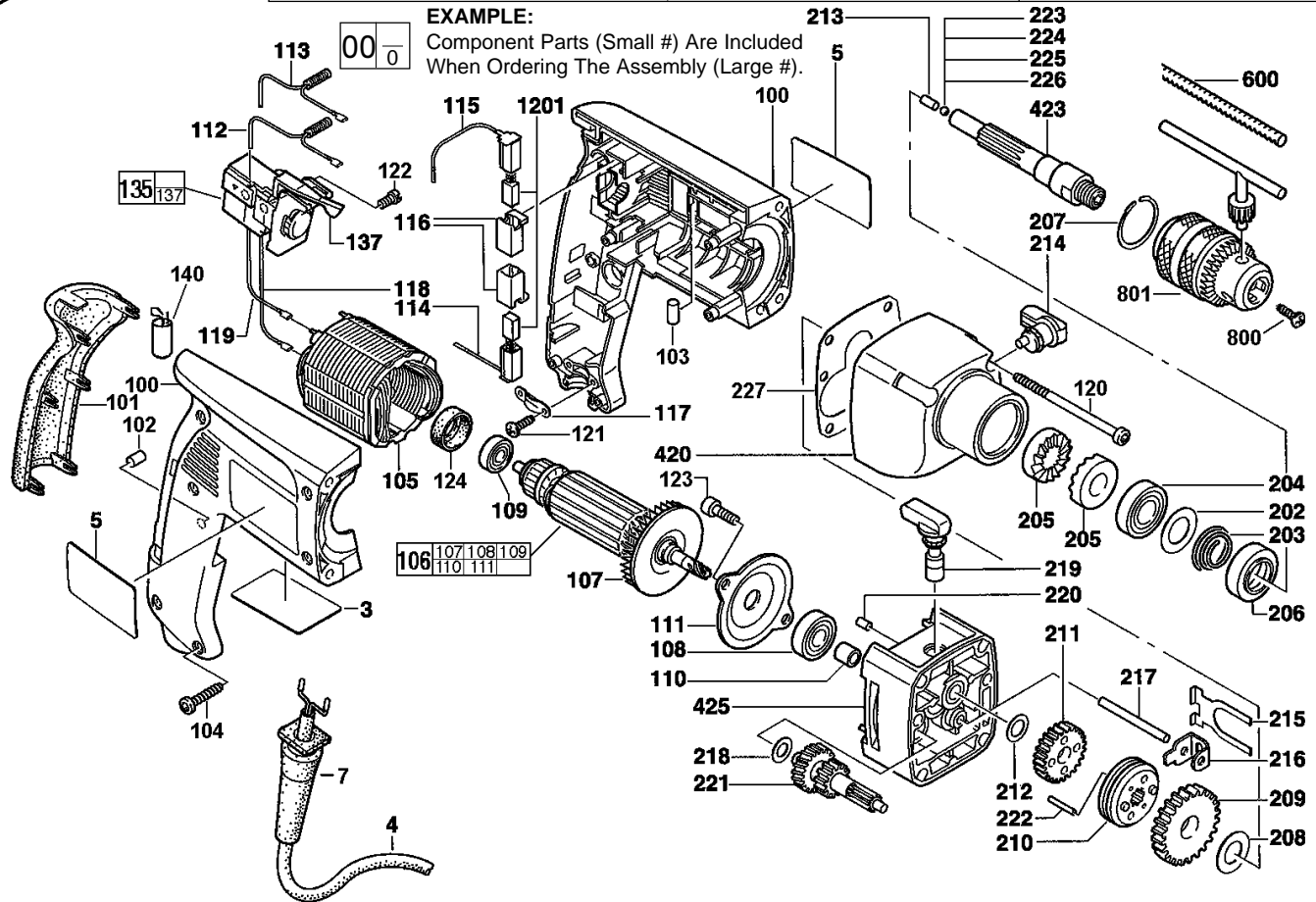


FIG.	PART NO.	DESCRIPTION OF PART	NO. REQ.	FIG.	PART NO.	DESCRIPTION OF PART	NO. REQ.
3	12-20-0416	Nameplate	1	209	32-75-1220	Spindle Gear	1
4	22-64-0907	Cord Set	1	210	44-90-4505	Shift Ring	1
★ 5	10-07-6220	Product Label	2	211	32-75-1225	Spindle Gear	1
7	44-76-0290	Strain Relief	1	212	45-88-8335	Thrust Washer	1
100	14-38-0445	Housing Assembly	1	213	44-60-1490	Pin	1
101	44-52-0585	Handle Cushion	1	214	44-10-0095	Shift Lever	1
102	45-30-0055	Retaining Slug	1	215	40-50-8355	Retaining Spring	1
103	45-30-0195	Retaining Slug	1	216	42-70-0790	Shifting Clip	1
104	05-78-0715	Screw	6	217	44-60-1470	Pin	1
105	18-07-0170	Service Field	1	218	45-88-8345	Thrust Washer	1
106	16-07-0105	Armature - Service	1	219	44-10-0105	Shift Lever	1
107	22-84-0930	Fan	1	220	44-60-1500	Pin	1
108	02-04-1825	Ball Bearing	1	221	32-60-2635	Reduction Gear	1
109	02-04-1820	Ball Bearing	1	222	44-60-1475	Pin	2
110	42-40-1045	Bushing	1	223	02-02-0110	Ball (4.0 Diameter)	1
111	42-92-0070	Bearing Cover	1	224	02-02-0115	Ball (3.8 Diameter)	1
112	23-94-1028	Wire	1	225	02-02-0125	Ball (3.6 Diameter)	1
113	23-94-1029	Wire	1	226	02-02-0105	Ball (3.4 Diameter)	1
114	22-20-0390	Brush Tube	1	227	43-44-0345	Gasket	1
115	22-20-0385	Brush Tube	1	420	31-40-0020	Gearcase	1
116	22-20-0225	Brush Holder	2	423	38-50-0040	Spindle	1
117	31-17-0240	Cord Clamp	1	425	26-28-1865	Diaphragm	1
118	23-94-1032	Wire	1	600	43-46-0170	Depth Gauge	1
119	23-94-1031	Wire	1	800	05-80-0430	Chuck Retaining Screw	1
120	06-82-9640	Screw	4	801	48-66-5195	Chuck	1
121	06-82-0930	Screw	2	1201	22-18-1000	Brush (2) Service Kit	1
122	06-82-0932	Screw	1	49-15-0305	Side Handle	1	
123	05-74-0960	Screw	2	48-66-2110	Chuck Key	1	
124	45-22-0550	Rubber Sleeve	1	48-66-4040	Chuck Key Holder	1	
135	23-66-0047	Switch	1				
137	44-10-0400	Switch Lever	1				
140	22-33-0325	Capacitor	1				
202	45-88-8295	Washer	1				
203	40-50-8890	Spring	1				
204	02-04-1830	Ball Bearing	1				
205	44-84-0295	Ratchet	2				
206	44-90-0004	Seal Ring	1				
207	44-90-0365	Snap Ring (Int.)	1				
208	45-88-1300	Washer	1				

FIG. NOTES:
223-226 The correct size ball must be chosen to properly shim out the end play in the spindle. Spindle is to have a small amount of end play without being tight.

MILWAUKEE ELECTRIC TOOL CORPORATION
13135 W. LISBON RD., BROOKFIELD, WI 53005