



# SERVICE PARTS LIST

**BUL. 54-24-1502**

## HAMMER DRILL

REVISED BUL 54-24-1502 DATE April '70

**Catalog No. 5390**

Starting Serial No. **422-10481**

WIRING INSTR. **58-01-0050**

Both Model and Serial No. must be furnished to obtain correct parts.

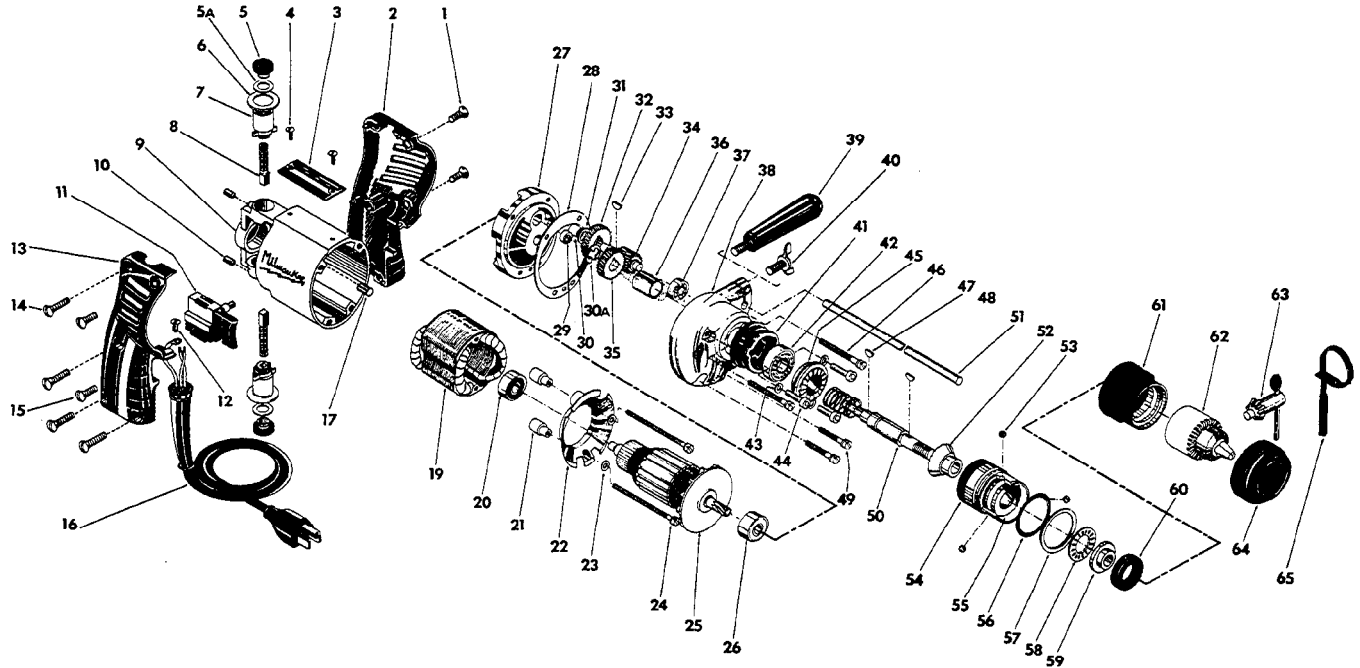


FIG.	PART NO.	DESCRIPTION OF PART
1	06-81-0450	8-32x3/8 Pan Hd. Handle Mtg. Scr.
2	31-44-0211	L.H. Handle Half
3	12-98-0600	Name Plate
★4	06-77-0625	Name Plate Drive Screws
5	23-44-0060	Brush Retaining Cap
5a	23-86-0050	Brush Retaining Cap Washer
6	23-86-0070	Insulating Washer
7	22-22-0271	Brush Holder Assy.
8	22-18-0410	Carbon Brush Assy.
9	28-50-6091	Motor Housing Assy. (Incl. Item 17)
★10	06-83-2430	10-32x1/4 Soc.Hd.Brush Holder Set Scr.
11	23-66-0510	Switch
12	06-81-8625	6-32x1/4 Brass Rd.Hd.Ground Scr.
13	31-44-0200	R.H. Handle Half
14	06-81-0400	8-32x3/4 Pan Hd. Handle Mtg. Scr.
15	06-81-0450	8-32x3/8 Pan Hd. Handle Mtg. Scr.
16	22-64-0450	Cord Set
17	45-30-0120	Ball Bearing Ret. Slug
19	18-22-1160	Field Assembly
20	02-04-0740	Ball Bearing
21	45-36-0601	Baffle Spacer
22	31-05-0010	Baffle
23	45-88-7170	Washer
★24	06-81-8700	6-32x2 5/8 Round Hd. Sems Field Scrs.
25	16-22-1290	Armature Assembly (includes fig.25a)
25a	22-84-0440	Fan Assembly
26	02-04-0880	Ball Bearing
27	28-28-1441	Diaphragm
28	43-44-0280	Gasket
29	02-50-1610	Spindle Shaft Needle Bearing
30	02-50-1210	Int.Shaft Needle Bearing
30a	34-60-0800	'E' Ring
31	45-88-7160	Thrust Washer

FIG.	PART NO.	DESCRIPTION OF PART
(2)	32	32-40-1041 Intermediate Gear
33	06-42-0400	Woodruff Key
34	36-66-4091	Int. Pinion Shaft
35	32-75-2711	Spindle Gear
36	45-36-0611	Spindle Spacer
37	02-04-0640	Int.Shaft Ball Bearing
38	28-14-1321	Gear Case Assembly
39	43-62-0470	Side Handle Assy.
40	06-88-0100	(1/4-20) Wing Screw
41	31-86-0111	Spacer
42	02-08-0510	Spindle Ball Bearing
43	06-97-3200	No.8 Split Ring Lock Washer (3)
44	06-75-2060	8-32x5/8 Soc.Hd.Spacer Mtg.Scr. (3)
45	44-84-0071	Fixed Ratchet
46	06-81-6650	8-32x1 1/4 Fil.Hd.Sem Gear Case Scrs. (2)
47	06-42-0800	Woodruff Key (2)
48	40-50-7680	Ratchet Spring
49	06-81-6400	8-32x1-1/8 Fil.Hd.Sem Gear Case Scr (2)
50	38-50-5013	Spindle
51	44-94-0161	Depth Rod
52	44-84-0066	Rotating Ratchet (See Item 50)
53	02-02-0180	3/16 Steel Ball (3)
54	45-22-0281	Sleeve
55	45-36-0592	Shift Spacer
56	34-40-1500	"O" Ring
57	34-60-2125	Retaining Ring
58	02-80-1200	Needle Thrust Bearing
59	45-36-0621	Thrust Spacer
60	45-06-0160	Felt Seal
61	42-76-0181	Shift Collar
62	48-66-0810	Chuck
63	48-66-3240	Chuck Key
64	49-62-0090	Dust Shield
65	48-66-4040	Key Holder