



# SERVICE PARTS LIST

**BULLETIN NO.**  
54-24-0241

SPECIFY CATALOG NO. AND SERIAL NO. WHEN ORDERING PARTS		REVISED BULLETIN 54-24-0240	DATE Oct. '86
<b>3/8" HAMMER DRILL</b>		WIRING INSTRUCTION <b>58-01-0015</b>	
<b>CATALOG NO. 5392-1</b>	<b>STARTING SERIAL NO. 665-56500</b>		

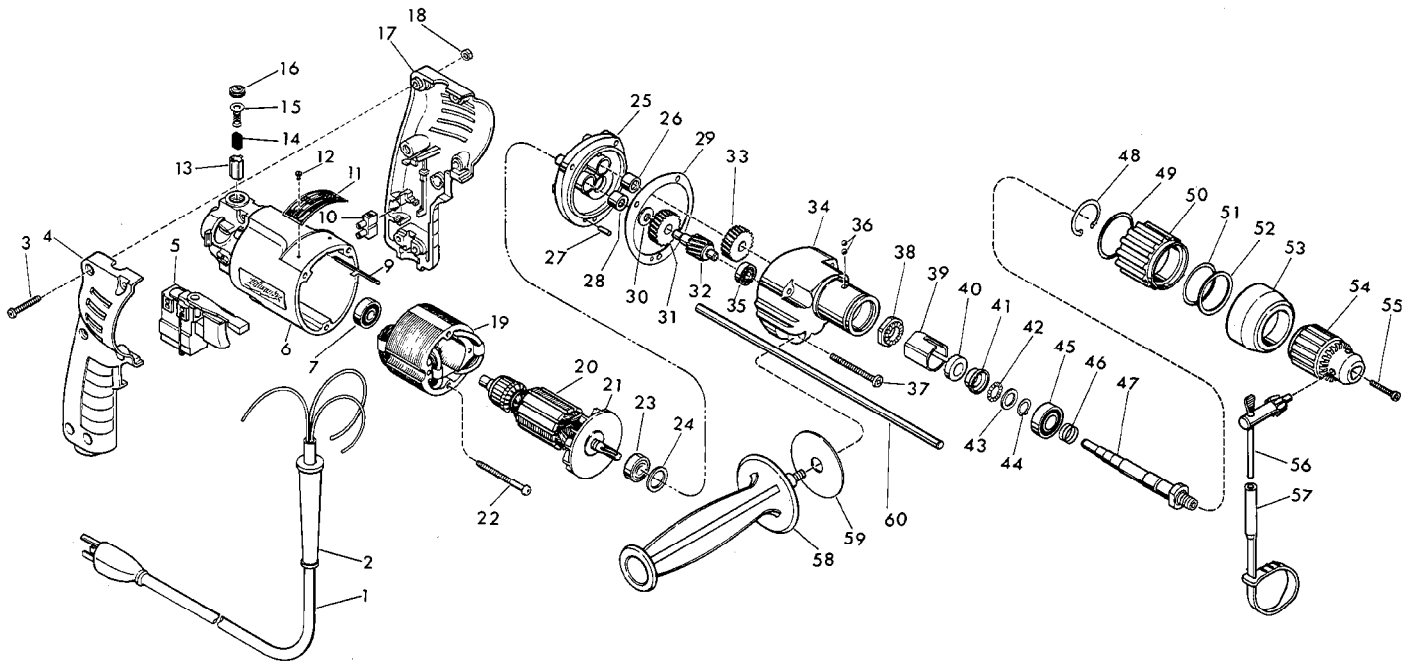


FIG.	PART NO.	DESCRIPTION OF PART	NO. REQ.	FIG.	PART NO.	DESCRIPTION OF PART	NO. REQ.
	1	22-64-1120 Cord Set	(1)	38	44-84-0175	Fixed Ratchet	(1)
	2	44-76-0130 Cord Protector	(1)	39	45-36-1220	Bearing Spacer	(1)
	3	06-81-0473 8-32 x 1" Pan Hd. Pozidriv Screw	(6)	40	44-84-0185	Rotating Ratchet	(1)
	4	31-44-1130 Right Handle Half	(1)	41	45-36-1210	Shift Spacer	(1)
	5	23-66-1390 Speed Control Switch	(1)	42	02-02-0120	1/8" Steel Ball	(15)
★	6	31-50-0345 Motor Housing	(1)	43	45-88-0930	Thrust Washer	(1)
★	7	02-04-0645 Ball Bearing	(1)	44	34-60-0950	Retaining Ring	(1)
★	8	10-98-5986 Warning Label (Nob Shown)	(1)	45	02-08-0510	Ball Bearing	(1)
	9	44-60-0530 Ground Pin	(1)	46	40-50-0220	Compression Spring	(1)
	10	22-56-0456 Terminal Block	(1)	47	38-50-5510	Spindle	(1)
	11	12-99-0395 Nameplate Blank	(1)	48	34-80-2550	Internal Retaining Ring	(1)
	12	06-85-0200 Nameplate Screw	(2)	49	34-40-4040	O-Ring	(1)
	13	22-20-0530 Brush Tube	(2)	50	31-58-0050	Locking Collar	(1)
★	14	22-16-0275 Carbon Brush	(2)	51	34-40-1500	O-Ring	(1)
	15	23-52-0210 Brush Spring Assembly	(2)	52	34-60-2125	Retaining Ring	(1)
	16	23-44-0120 Brush Retaining Screw	(2)	53	49-62-0090	Hammer Dust Shield	(1)
	17	31-44-1140 Left Handle Half	(1)	54	48-66-0795	3/8" Chuck	(1)
	18	06-55-0835 8-32 Hex Nut	(6)	55	06-81-2670	10-32 x 7/8" Socket Hd. Screw - L.H. Thread	(1)
	19	18-10-0130 120 Volt Field	(1)	56	48-66-3240	Chuck Key	(1)
★	20	16-10-0545 120 Volt Armature (Incl. Fig. No. 21)	(1)	57	48-66-4040	Key Holder	(1)
	21	22-84-0440 Fan Assembly	(1)	58	43-62-0905	Side Handle	(1)
	22	06-95-0180 7-18 x 2" Pan Hd. Plastite Screw	(2)	59	45-88-7930	Washer	(1)
	23	02-04-0848 Ball Bearing	(1)	60	44-94-0161	Depth Rod	(1)
	24	45-88-0355 Fiber Washer	(1)				
	25	28-28-1705 Diaphragm	(1)				
	26	02-50-1610 Needle Bearing	(1)				
	27	06-65-0800 Groove Pin	(1)				
	28	02-50-1640 Needle Bearing	(1)				
	29	43-44-0690 Gasket	(1)				
	30	45-88-7721 Thrust Washer	(1)				
	31	32-40-1940 Intermediate Gear	(1)				
	32	36-66-4360 Intermediate Pinion Shaft	(1)				
	33	32-75-3170 Spindle Gear	(1)				
	34	28-14-1685 Gear Case	(1)				
	35	02-04-0640 Ball Bearing	(1)				
	36	02-02-0180 3/16" Steel Ball	(6)				
	37	06-95-0145 7 x 1-3/4" Pan Hd. Pozidriv Screw	(3)				

**NOTES**

- FIG.**  
23 Press To .025 Above Casting Surface  
55 Apply Type 271 Red Loctite & Torque To 40-45 In.,Lbs.

**LUBRICATION**

- 2 Oz. Of Type E Grease In Gearcase  
1/2 Tsp. Of 49-08-0150 Grease To Fig. 38 & 40  
1/4 Tsp. Of 49-08-0150 Grease To Fig. 41 & 42