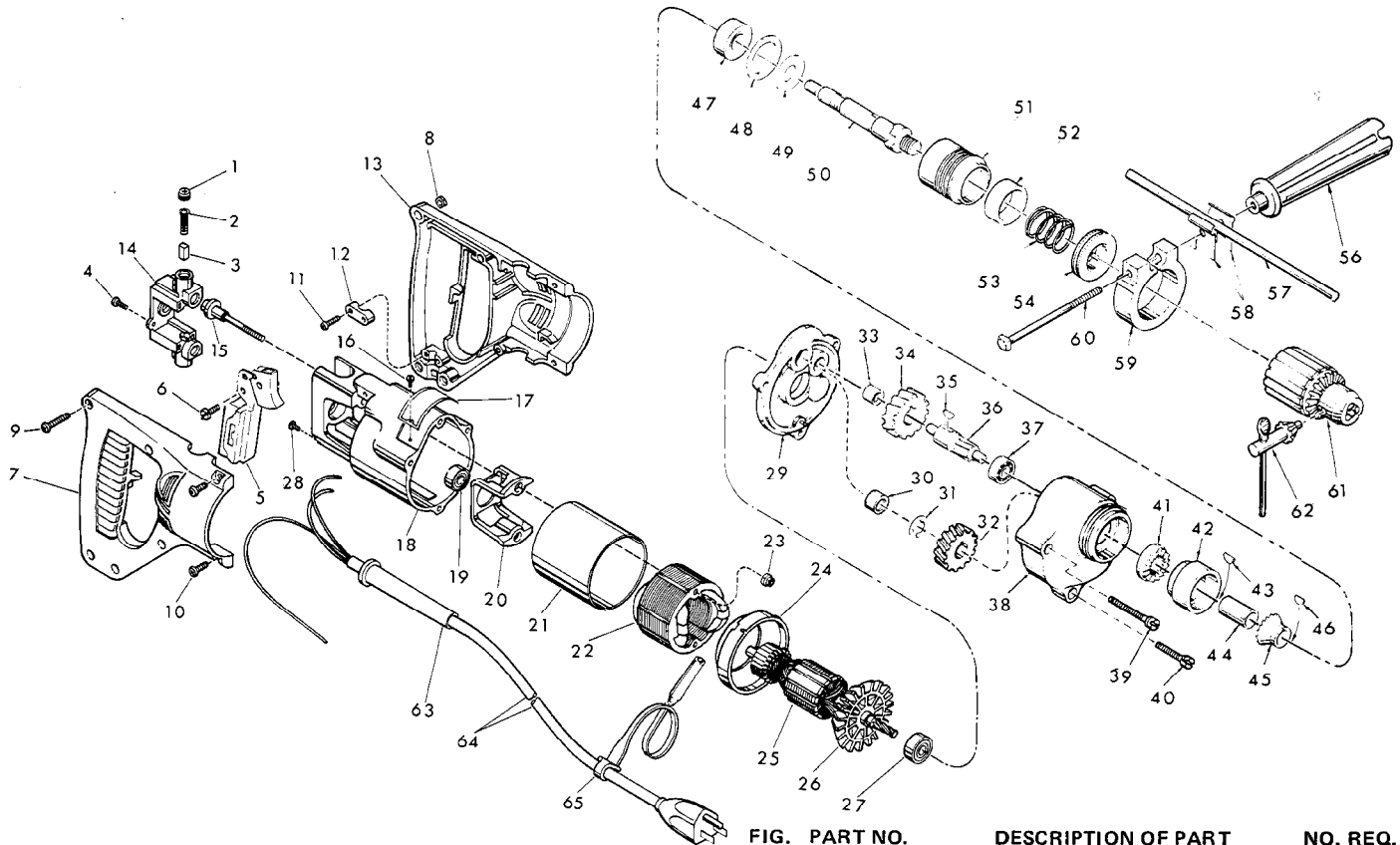




SERVICE PARTS LIST

BULLETIN NO.
54-24-1303

| | | | |
|--|-------------------------------|----------------------------------|----------|
| SPECIFY CATALOG NO. AND SERIAL NO. WHEN ORDERING PARTS | | REVISED BULLETIN | DATE |
| "D" HANDLE HAMMER DRILL | | 54-24-1302 | Oct. '90 |
| CATALOG NO. 5398 | STARTING SERIAL NO. 556-59800 | WIRING INSTRUCTION 58-01-0182 | |



| FIG. | PART NO. | DESCRIPTION OF PART | NO. REQ. |
|------|----------|--|----------|
| | 1 | 23-44-0190 Brush Retaining Screw | (2) |
| | 2 | 23-52-0160 Brush Spring | (2) |
| | 3 | 22-16-0275 Carbon Brush | (2) |
| | 4 | 06-95-0116 6-32 x 3/8 Phillips Pan Hd. Sem | (2) |
| | 5 | 23-66-0505 Switch | (1) |
| | 6 | 06-95-0215 8-18 x 1/2 Thread Form. Screw | (1) |
| ★ | 7 | 31-44-1380 R.H. Half D Handle | (1) |
| | 8 | 06-55-0835 8-32 Hex Nut | (5) |
| | 9 | 06-81-0473 8-32 x 1 Pan Hd. Screw | (5) |
| | 10 | 06-95-0700 8-32 x 1/2 Pan Hd. Screw | (4) |
| ★ | 11 | 06-95-0216 8-16 x 5/8" Plastite Screw | (2) |
| ★ | 12 | 31-17-0156 Cord Clamp | (1) |
| ★ | 13 | 31-44-1375 L.H. Half D Handle | (1) |
| | 14 | 22-22-1330 Brush Holder Assembly | (1) |
| ★ | 15 | 06-81-1058 Insulated Field Bolt | (2) |
| | 16 | 06-85-0200 6 x 1/4 Rd. Hd. Type Z Screw | (2) |
| | 17 | 12-99-0037 Nameplate | (1) |
| ★ | 18 | 28-50-6201 Motor Housing | (1) |
| ★ | 19 | 02-04-0845 Ball Bearing | (1) |
| | 20 | 31-55-0030 Coil Shield | (1) |
| | 21 | 23-16-0456 Field Insulator | (1) |
| | 22 | 18-30-0100 120 V. Field | (1) |
| | 23 | 06-57-2975 8-32 Flexlock Hex Nut | (2) |
| | 24 | 31-05-0050 Baffle | (1) |
| ★ | 25 | 16-30-0225 120 V. Armature (Incl. Fig. No. 26) | (1) |
| | 26 | 22-84-0530 Fan Assembly | (1) |
| ★ | 27 | 02-04-0911 Ball Bearing | (1) |
| | 28 | 06-95-5150 Ground Screw | (1) |
| | 29 | 28-28-0582 Diaphragm (Incl. 06-65-0825 Groove Pin) | (1) |
| | 30 | 02-50-2110 Needle Bearing | (1) |
| | 31 | 34-60-1000 Retaining Ring | (1) |
| | 32 | 32-75-2001 Spindle Gear | (1) |
| | 33 | 02-50-1640 Needle Bearing | (1) |

| FIG. | PART NO. | DESCRIPTION OF PART | NO. REQ. |
|------|----------|---|----------|
| | 34 | 32-40-1241 Intermediate Gear | (1) |
| | 35 | 06-42-0800 Woodruff Key | (1) |
| | 36 | 36-66-2701 Intermediate Shaft | (1) |
| | 37 | 02-04-0640 Ball Bearing | (1) |
| | 38 | 28-14-0687 Gear Case | (1) |
| ★ | 39 | 06-95-5270 8-32 x 1-7/8 Fil. Hd. Sem | (2) |
| ★ | 40 | 06-95-5250 8-32 x 1-1/8 Fil. Hd. Sem | (1) |
| | 41 | 44-84-0100 Fixed Ratchet | (1) |
| | 42 | 42-52-0250 Bearing Housing | (1) |
| | 43 | 06-42-1200 Woodruff Key | (1) |
| | 44 | 45-36-0890 Spacer | (1) |
| | 45 | 44-84-0110 Rotating Ratchet | (1) |
| | 46 | 06-42-0800 Woodruff Key | (1) |
| | 47 | 02-04-1560 Ball Bearing | (1) |
| | 48 | 45-88-7350 Bearing Retaining Washer | (1) |
| | 49 | 45-88-7360 Spring Support Washer | (1) |
| | 50 | 38-50-5150 Spindle | (1) |
| | 51 | 45-22-0405 Sleeve | (1) |
| | 52 | 45-88-7375 Felt Washer | (1) |
| | 53 | 40-50-4950 Spring | (1) |
| | 54 | 42-76-0200 Locking Collar | (1) |
| | 55 | 14-34-0250 Side Handle Assy. (Incl. Fig. Nos. 56 thru 60) | (1) |
| | 56 | 43-62-0700 Side Handle | (1) |
| | 57 | 44-94-0161 Depth Gauge Rod | (1) |
| | 58 | 42-68-0390 Clamp | (2) |
| | 59 | 28-82-0150 Handle Ring | (1) |
| | 60 | 42-32-0160 Bolt | (1) |
| | 61 | 48-66-1360 1/2" Chuck (Incl. Fig. No. 62) | (1) |
| | 62 | 48-66-3280 Chuck Key | (1) |
| ★ | 63 | 44-76-0150 Cord Protector | (1) |
| ★ | 64 | 22-64-0155 Cord Set | (1) |
| | 65 | 48-66-4040 Key Holder | (1) |
| | 66 | 10-98-5987 Caution Label (Not Shown) | (1) |

MILWAUKEE ELECTRIC TOOL CORPORATION
13135 W. LISBON RD., BROOKFIELD, WIS. 53005