



# SERVICE PARTS LIST

**BULLETIN NO.**  
54-32-1270

SPECIFY CATALOG NO. AND SERIAL NO. WHEN ORDERING PARTS		REVISED BULLETIN	DATE
7" HEAVY-DUTY POLISHER (2800 R.P.M.)			Aug. '84
CATALOG NO. 5535	STARTING SERIAL NO. 677-1001	WIRING INSTRUCTION	
		58-01-0301	
CAT. NO. 5535-6	START SER. NO. 677-1001	BILINGUAL LABEL 10-98-6120	

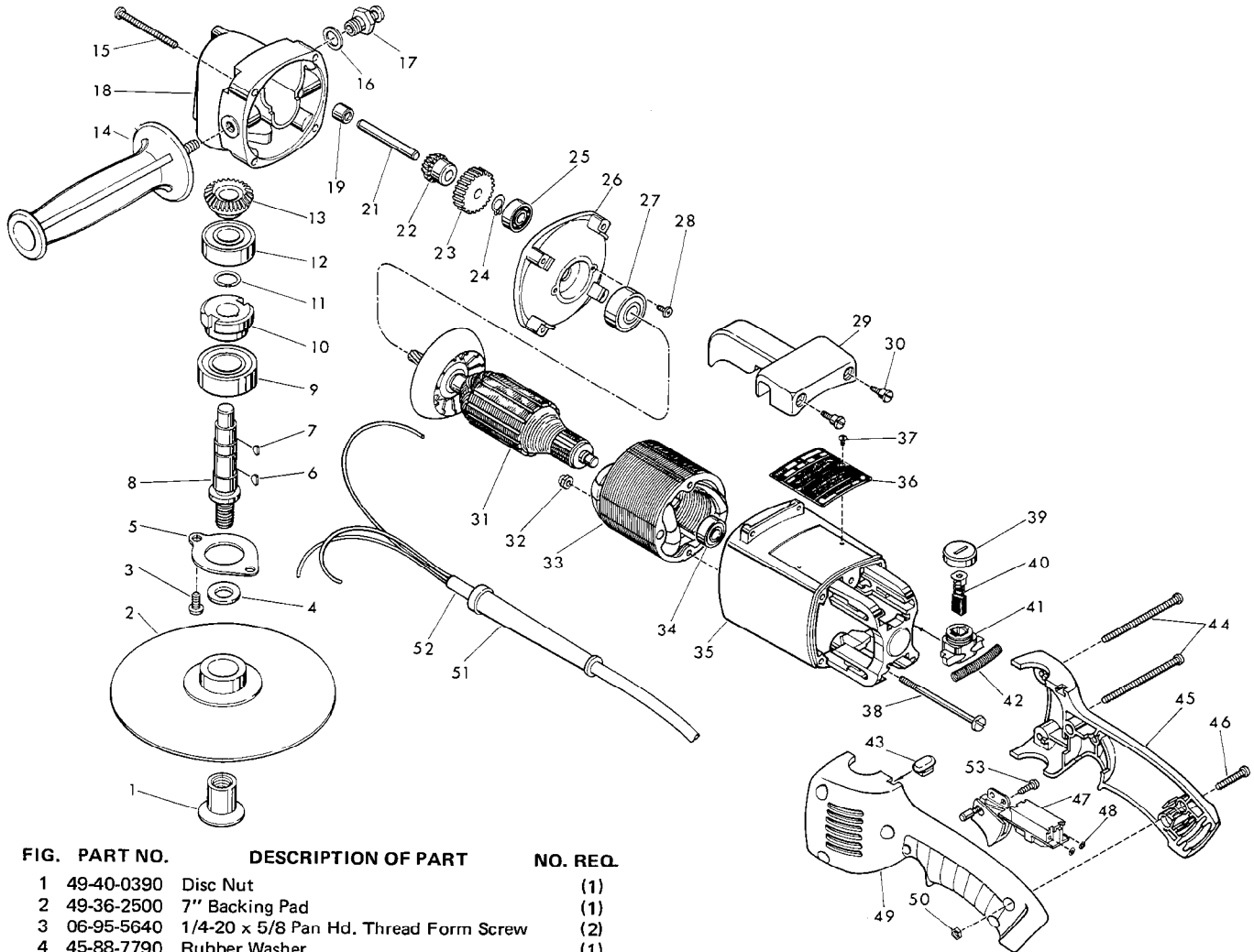


FIG.	PART NO.	DESCRIPTION OF PART	NO. REQ.
	1	49-40-0390 Disc Nut	(1)
	2	49-36-2500 7" Backing Pad	(1)
	3	06-95-5640 1/4-20 x 5/8 Pan Hd. Thread Form Screw	(2)
	4	45-88-7790 Rubber Washer	(1)
	5	45-88-7785 Spindle Retaining Washer	(1)
	6	06-42-1600 Woodruff Key	(1)
	7		(1)
	8	38-50-5230 Spindle Shaft	(1)
	9	02-04-2031 Ball Bearing	(1)
	10	42-74-0070 Spindle Locking Cog	(1)
	11	34-60-1290 Retaining Ring	(1)
	12	02-04-1747 Ball Bearing	(1)
	13	32-05-1081 Bevel Gear	(1)
	14	43-62-0880 Side Handle	(1)
	15	06-95-0375 10-14 x 1-7/8 Pan Hd. Thread Form Screw	(4)
	16	45-88-5320 Flat Washer	(1)
	17	44-20-0211 Spindle Lock Assembly	(1)
	18	28-14-1430 Gear Case	(1)
	19	02-50-2200 Needle Bearing	(1)
	20	14-73-0140 Intermediate Gear Assy. (Incl. Fig. Nos. 21 thru 24)	(1)
	21	— Intermediate Shaft	(1)
	22	— Bevel Gear	(1)
	23	— Intermediate Gear	(1)
	24	— External Retaining Ring	(1)
	25	02-04-0910 Ball Bearing	(1)
	26	28-28-1565 Diaphragm	(1)
	27	02-04-1230 Ball Bearing	(1)
	28	06-95-0209 8-32 x 3/8 Taptite Screw	(2)
	29	31-70-0110 Tool Rest	(1)
	30	45-04-0570 Shoulder Screw	(3)

FIG.	PART NO.	DESCRIPTION OF PART	NO. REQ.
	31	16-50-0110 120 Volt Armature	(1)
	32	06-57-3005 10-32 Locking Hex Nut	(2)
	33	18-50-0090 120 Volt Field	(1)
	34	02-04-0845 Ball Bearing	(1)
	35	31-50-0250 Motor Housing	(1)
	36	12-99-0280 Nameplate Blank	(1)
	37	06-85-0200 Nameplate Screw	(2)
	38	06-81-7480 10-32 x 2-3/4 Flat Hd. Screw	(2)
	39	23-44-0180 Brush Retaining Screw	(2)
	40	22-18-0620 Carbon Brush Assembly	(2)
	41	22-22-1300 Brush Holder Assembly	(2)
	42	40-50-7770 Brush Holder Spring	(2)
	43	42-38-0190 Bumper	(1)
	44	06-81-5775 10-24 x 2-3/4 Pan Hd. Screw	(2)
	45	31-44-1110 Right Handle Half	(1)
	46	06-81-4206 10-24 x 7/8 Pan Hd. Screw	(3)
	47	23-66-0165 Switch	(1)
	48	06-97-1700 No. 5 Internal Tooth Lock Washer	(4)
	49	31-44-1115 Left Handle Half	(1)
	50	06-55-1050 10-24 Hex Nut	(5)
	51	44-76-0050 Cord Protector	(1)
	52	22-64-0770 Cord Set	(1)
	53	06-95-0205 8-16 x 1/2 Pan Hd. Thread Form Screw	(1)

**MILWAUKEE ELECTRIC TOOL CORPORATION**  
13135 W. LISBON RD., BROOKFIELD, WIS. 53005