



# SERVICE PARTS LIST

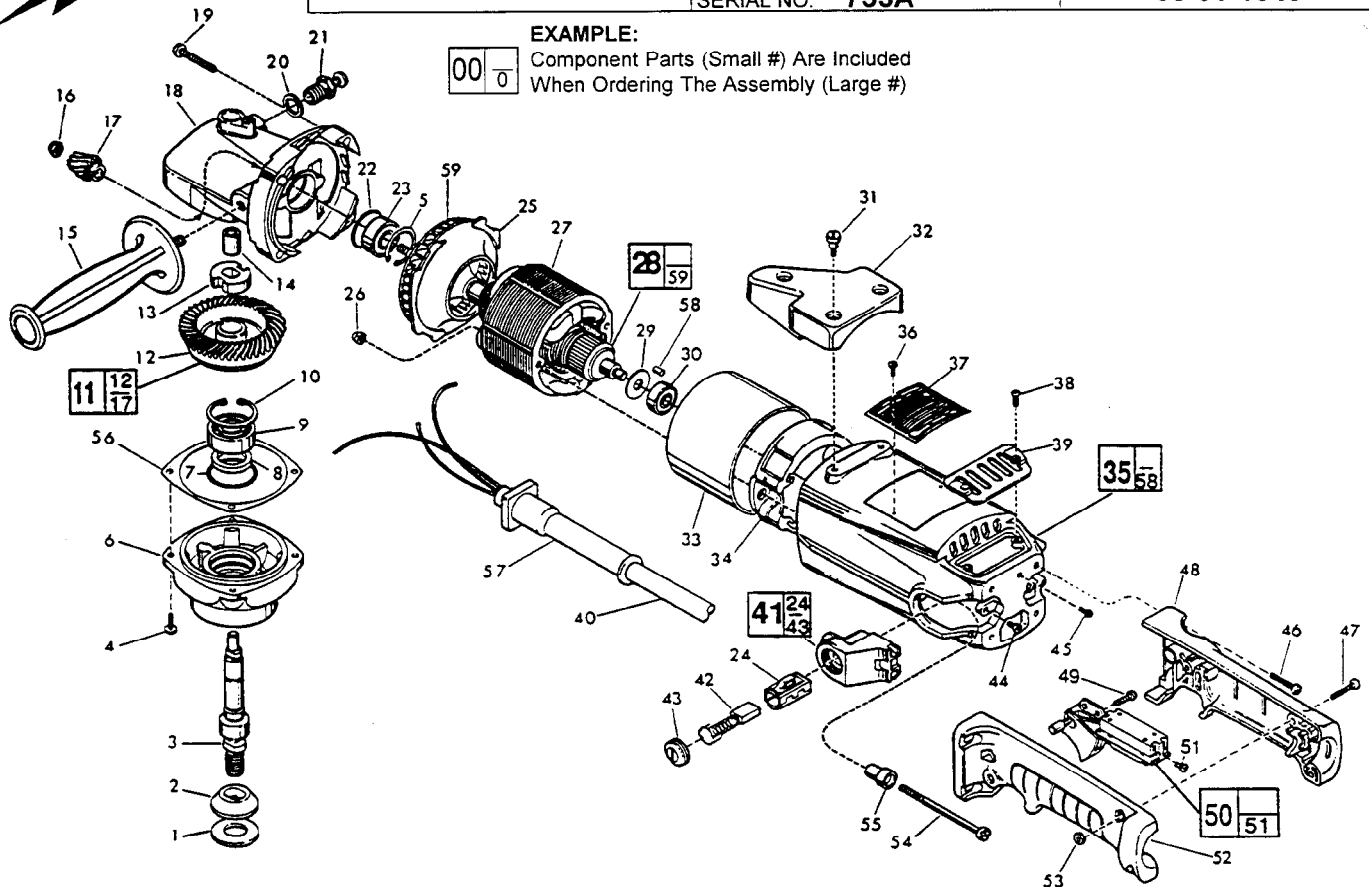
**BULLETIN NO.**  
**54-38-0383**

|  |                          |   |          |
|--|--------------------------|---|----------|
| SPECIFY CATALOG NO. AND SERIAL NO. WHEN ORDERING PARTS |                          | REVISED BULLETIN                        | DATE     |
| 7" / 9" SANDER - 6000 R.P.M.                           |                          | 54-38-0382                              | Mar. '98 |
| CATALOG NO. 6066                                       | STARTING SERIAL NO. 753A | WIRING INSTRUCTION<br><b>58-01-1340</b> |          |

**EXAMPLE:**  

|    |   |
|----|---|
| 00 | 0 |
|----|---|

 Component Parts (Small #) Are Included  
 When Ordering The Assembly (Large #)



| FIG. | PART NO.   | DESCRIPTION OF PART                   | QTY |
|------|------------|---------------------------------------|-----|
| ★ 1  | 45-88-8465 | Spindle Washer                        | (1) |
| 2    | 49-05-0060 | Washer Flange                         | (1) |
| 3    | 38-50-5560 | Spindle Shaft                         | (1) |
| ★ 4  | 06-82-8880 | 10-24 x 5/8" Pan Hd. Taptite, T-25    | (4) |
| 5    | 34-80-2600 | Internal Retaining Ring               | (1) |
| 6    | 28-14-1735 | Lower Gear Case                       | (1) |
| ★ 7  | 34-40-1550 | O-Ring                                | (1) |
| 8    | 45-06-0330 | Felt Seal                             | (1) |
| ★ 9  | 02-04-1745 | Ball Bearing                          | (1) |
| 10   | 34-80-2960 | Retaining Ring - Internal             | (1) |
| 11   | 14-46-4300 | Bevel Gear Kit                        | (1) |
| 12   | 32-05-2201 | Spiral Bevel Gear                     | (1) |
| 13   | 42-74-0080 | Spindle Locking Cog                   | (1) |
| 14   | 02-50-2428 | Needle Bearing                        | (1) |
| 15   | 43-62-0880 | Side Handle                           | (1) |
| ★ 16 | 06-57-0500 | 1/4 - 28 Locking Hex Nut              | (1) |
| 17   | 32-60-1291 | Spiral Bevel Pinion                   | (1) |
| 18   | 28-14-2035 | Upper Gear Case                       | (1) |
| 19   | 06-82-5716 | 1/4-20 x 1-1/4" Pan Hd. Taptite, T-30 | (4) |
| 20   | 45-88-5320 | Flat Washer                           | (1) |
| 21   | 44-20-0235 | Spindle Lock Assembly                 | (1) |
| 22   | 34-40-1375 | O-Ring                                | (1) |
| 23   | 02-04-1229 | Ball Bearing                          | (1) |
| 24   | 22-20-0360 | Brush Tube                            | (2) |
| 25   | 42-14-0300 | Baffle                                | (1) |
| 26   | 06-57-3005 | 10-32 Locking Hex Nut                 | (2) |
| 27   | 18-70-0260 | 120 Volt Field                        | (1) |
| 28   | 16-70-0300 | 120 Volt Armature                     | (1) |
| 29   | 45-06-0390 | Dust Seal                             | (1) |
| ★ 30 | 02-04-0913 | Ball Bearing                          | (1) |
| ★ 31 | 45-04-0720 | Shoulder Screw                        | (3) |
| 32   | 31-70-0150 | Tool Rest                             | (1) |
| 33   | 23-16-0950 | Insulating Sleeve                     | (1) |
| 34   | 31-55-0110 | Coil Shield                           | (1) |
| 35   | 28-50-6351 | Motor Housing                         | (1) |
| ★ 36 | 06-82-5270 | 6-32 x 1/4" Pan Hd. Taptite, T-15     | (2) |
| ★ 37 | 12-99-0408 | Nameplate Blank                       | (1) |
| ★ 38 | 06-82-3792 | 8-32 x 3/8" Flat Hd. Taptite, T-15    | (2) |

| FIG. | PART NO.   | DESCRIPTION OF PART                | QTY |
|------|------------|------------------------------------|-----|
| 39   | 31-15-0310 | Cover Plate                        | (1) |
| 40   | 22-64-3000 | Cord Set                           | (1) |
| 41   | 22-22-0401 | Brush Holder Assembly              | (2) |
| ★ 42 | 22-18-0730 | Carbon Brush Assembly              | (2) |
| 43   | 23-44-0170 | Brush Retaining Cap                | (2) |
| 44   | 06-82-7252 | 8-32 x 3/8" Pan Hd. T-20           | (2) |
| 45   | 06-95-5200 | 8-32 x 5/16" Slot Hex Hd. Screw    | (1) |
| 46   | 06-82-5574 | 10-24 x 7/8" Pan Hd. Taptite, T-25 | (4) |
| 47   | 06-82-2378 | 10-24 x 1" Pan Hd. T-25            | (3) |
| 48   | 31-44-0606 | Right Handle Half                  | (1) |
| 49   | 06-82-7409 | 8-16 x 1/2" Pan Hd. Plastite, T-20 | (1) |
| 50   | 23-66-1805 | Switch                             | (1) |
| 51   | 05-78-0305 | M 3.5 Switch Screw, T-15           | (4) |
| 52   | 31-44-0607 | Left Handle Half                   | (1) |
| 53   | 06-55-1050 | 10-24 Hex Nut                      | (3) |
| ★ 54 | 06-82-9600 | 10-32 x 3-3/16" Field Screw, T-25  | (2) |
| 55   | 31-86-0160 | Insulating Bushing                 | (2) |
| 56   | 45-14-0225 | Shim - Blue .005 Thick             | (1) |
|      | 45-14-0210 | Shim - Red .010 Thick              | (1) |
| 57   | 44-76-0170 | Cord Protector                     | (1) |
| 58   | 45-30-0070 | Ball Bearing Retaining Slug        | (1) |
| 59   | 22-84-0800 | Fan                                | (1) |

**FIG. NOTES**  
 13 Dimple Side To Fig. 12  
 4 As Required (Max. .015")  
 56 Apply type 242 Blue Loctite to threads

**FIG. LUBRICATION**  
 18 2 Oz. Type "G" Grease, No. 49-08-4140