



SERVICE PARTS LIST

BULLETIN NO.
54-38-0050

SPECIFY CATALOG NO. AND SERIAL NO. WHEN ORDERING PARTS		REVISED BULLETIN	DATE
D. I. 6000 RPM DIAL SPEED GRINDER			July '94
CATALOG NO.	6076	SERIAL NUMBER	861A
		WIRING INSTRUCTION 58-01-0225	

00 0

EXAMPLE:
Component Parts (Small #) Are Included
When Ordering The Assembly (Large #).

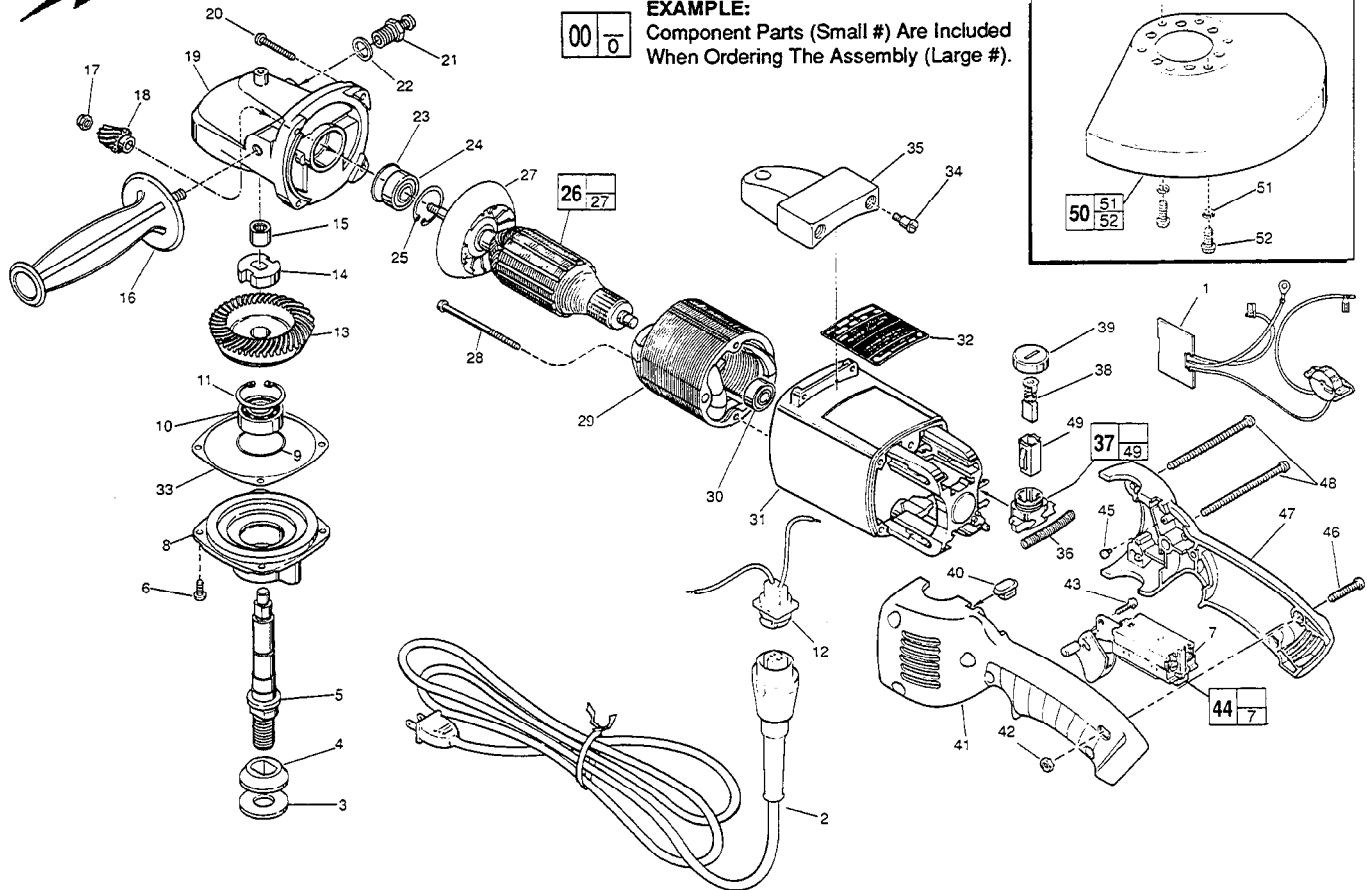


FIG.	PART NO.	DESCRIPTION OF PART	NO REQ.
1	14-20-0570	Dial Module Assembly	(1)
2	22-64-3270	Cord Set	(1)
3	45-88-8465	Spindle Washer	(1)
4	49-05-0060	Spindle Washer - Flange	(1)
5	38-50-5645	Spindle Shaft	(1)
6	06-82-8864	10-24 x 1/2" Pan Hd. Sems T-25 Screw	(4)
7	05-89-0045	Terminal Screw	(4)
8	28-14-1900	Lower Gear Case	(1)
9	34-40-1610	1-9/16" O-Ring	(1)
10	02-04-1746	Ball Bearing	(1)
11	34-80-2960	Retaining Ring - Internal	(1)
12	22-56-0680	Blade Housing Assembly	(1)
13	32-05-2191	Spiral Bevel Gear	(1)
14	42-74-0080	Spindle Locking Cog	(1)
15	02-50-2423	Needle Bearing	(1)
16	43-62-0880	Side Handle	(1)
17	06-57-5006	1/4 - 28 Hex Lock Nut	(1)
18	32-60-1286	Spiral Bevel Pinion	(1)
19	28-14-2090	Upper Gear Case	(1)
20	06-82-7224	10-14 x 1" Pan Hd. Plastite T-25 Screw	(4)
21	44-20-0235	Spindle Lock Assembly	(1)
22	45-88-5320	Flat Washer	(1)
23	34-40-1375	1-1/4" O-Ring	(1)
24	02-04-1229	Ball Bearing	(1)
25	34-80-2600	Retaining Ring - Internal	(1)
26	16-50-0185	120 V. Armature	(1)
27	22-84-0710	Fan	(1)
28	06-82-7375	8-16 x 2-1/2" Pan Hd. Plastite T-20 Screw	(2)
29	18-50-0170	120 V. Field	(1)
30	02-04-0845	Ball Bearing	(1)

FIG.	PART NO.	DESCRIPTION OF PART	NO REQ.
31	31-50-0555	Motor Housing	(1)
32	12-20-0165	Service Nameplate Kit	(1)
33	45-14-0185	Shim .005 Thick	(1)
34	45-04-0720	Shoulder Screw	(3)
35	31-70-0140	Tool Rest	(1)
36	40-50-7770	Brush Holder Spring	(2)
37	22-22-1325	Brush Holder Assembly	(2)
38	22-18-0680	Brush Assembly	(2)
39	23-44-0210	Brush Retaining Screw	(2)
40	42-38-0190	Bumper	(1)
41	31-44-1771	Left Handle Half	(1)
42	06-55-1050	10-24 Hex Nut	(5)
43	06-82-7409	8-16 x 1/2" Slot. Pan Hd. T-20 Screw	(1)
44	23-66-1940	Switch	(1)
45	42-38-0181	Rubber Bumper	(2)
46	06-82-2568	10-24 x 7/8" Slot. Pan Hd. T-25 Screw	(3)
47	31-44-1776	Right Handle Half	(1)
48	06-82-2598	10-24 x 2-3/4" Slot. Pan Hd. T-25 Screw	(2)
49	22-20-0660	Brush Tube	(2)
50	49-12-0350	7" Wheel Guard Assembly	(1)
51	06-97-4000	1/4" Split Ring Lockwasher	(2)
52	06-95-5630	1/4-20 x 1/2" Special Screw	(2)

FIG. NOTES:
14,17,33 Apply Type 277 Red Loctite.

FIG. LUBRICATION:
19 1.5 Oz. Type "G" Grease, Cat. No. 49-08-4140.

MILWAUKEE ELECTRIC TOOL CORPORATION
13135 W. LISBON RD., BROOKFIELD, WI 53005