



SERVICE PARTS LIST

BULLETIN NO.
54-38-0830

SPECIFY CATALOG NO. AND SERIAL NO. WHEN ORDERING PARTS		REVISED BULLETIN 54-38-0829	DATE June 2012
BAND FILE			
CATALOG NO. 6101-6	STARTING SERIAL NO. 878F	WIRING INSTRUCTION 58-01-0309	

EXAMPLE:

00	0
----	---

 Component Parts (Small #) Are Included
 When Ordering The Assembly (Large #).

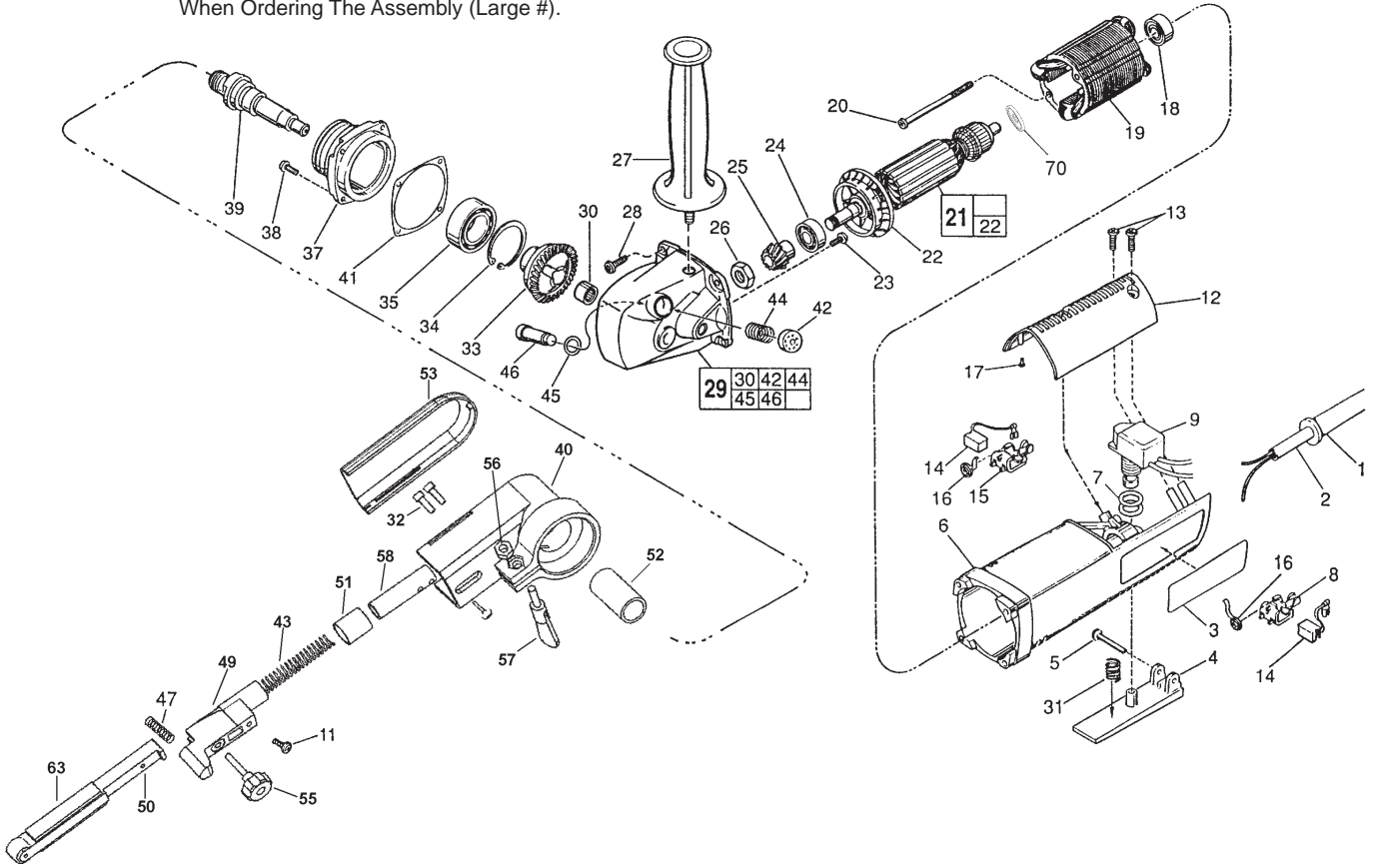


FIG.	PART NO.	DESCRIPTION OF PART	NO. REQ.
	1	44-76-0130 Cord Protector	(1)
	2	22-64-0215 Cord Set	(1)
	3	----- Service Nameplate Kit	(1)
	4	31-92-0112 Trigger	(1)
	5	06-72-0815 .146 Dia. x 1-3/8" Rivet	(1)
	6	31-50-0426 Motor Housing	(1)
	7	34-40-4015 O-Ring	(2)
	8	22-20-0691 Left Brush Holder	(1)
	9	23-66-2171 Switch	(1)
	11	45-04-0115 Shoulder Screw	(1)
	12	31-15-0143 Cover	(1)
	13	06-82-7270 8-16 x 5/8" Pan Hd. Slit. Plastite T-20	(3)
	14	22-18-0710 Carbon Brush Assembly	(2)
	15	22-20-0692 Right Brush Holder	(1)
	16	23-52-0240 Brush Spring	(2)
	17	42-38-0181 Rubber Bumper	(2)
	18	02-04-0848 Ball Bearing	(1)
★	19	18-07-7055 120 Volt Field	(1)
★	20	06-82-7430 8-16 x 2-1/8" Pan Hd. Plastite T-20	(2)
★	21	16-10-7060 120 Volt Armature	(1)
	22	22-84-0680 Fan	(1)
	23	06-82-2292 8-32 x 3/8" Pan Hd. Slit. Taptite T-20	(2)
	24	02-04-1020 Ball Bearing	(1)
	25	32-60-1305 Pinion	(1)
	26	06-55-1115 1/4-28 Hex Jam Nut	(1)
	27	49-15-0310 Side Handle	(1)
	28	06-82-7260 7-18 x 5/8" Pan Hd. Slit. Plastite T-20	(4)
	29	14-30-0302 Gear Case Kit	(1)
	30	02-50-2423 Needle Bearing	(1)
	31	40-50-1300 Coil Spring	(1)
	32	05-84-0015 Skt. Hd. Cap Screw	(2)
	33	32-05-2240 Spiral Bevel Gear	(1)
	34	34-80-2960 Retaining Ring-Internal	(1)
	35	02-04-1745 Ball Bearing	(1)
	37	28-52-0222 Spindle Hub	(1)
	38	06-82-5316 8-32 x 1/2" Pan Hd. Slit. Taptite T-20	(4)
	39	38-50-5212 Spindle	(1)
	40	28-50-0350 Housing	(1)

FIG.	PART NO.	DESCRIPTION OF PART	NO. REQ.
	41	43-44-1080 Gasket	(1)
	42	31-12-0205 Cap	(1)
	43	40-50-0205 Spring	(1)
	44	40-50-8650 Coil Spring	(1)
	45	34-40-4300 O-Ring	(1)
	46	44-60-0845 Lock Pin	(1)
	47	40-50-0210 Spring	(1)
	49	42-09-0250 Tension Arm	(1)
	50	42-09-0260 1/2" Contact Arm Assembly	(1)
	51	42-92-1200 Dust Cover	(1)
	52	43-12-0100 Drive Wheel	(1)
	53	43-54-0615 Cover	(1)
	55	43-98-0700 Knob	(1)
	56	05-55-0116 Nut	(1)
	57	45-04-0015 Clamp Screw	(1)
	58	45-60-0450 Support Rod	(1)
	63	44-66-5518 1/2" Platen (Pkg. of 10 - Cut to length)	(1)
	70	23-16-1670 Commutator Insulator	(1)

FIG. LUBRICATION
 29 1/4 Oz. "Y" Grease, No. 49-08-5270.

FIG. NOTES:
 26 Torque To 45 In./Lbs.