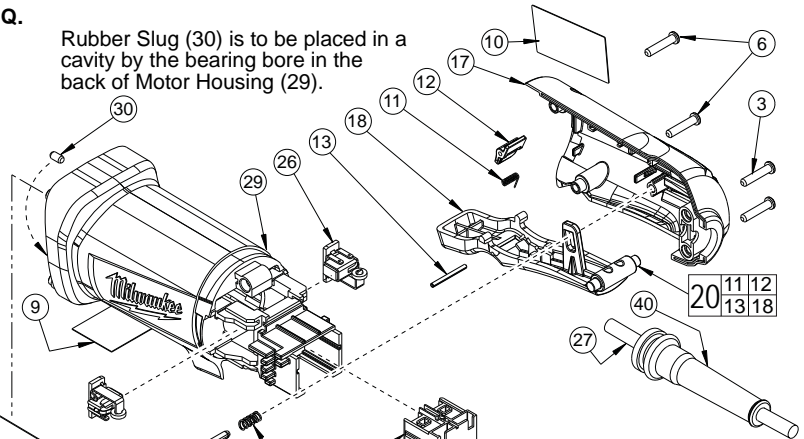


SPECIFY CATALOG NO. AND SERIAL NO. WHEN ORDERING PARTS		REVISED BULLETIN	DATE
4.5" ANGLE GRINDER with PADDLE SWITCH w/Lock-Off			Oct. 2012
CATALOG NO. 6148-30	STARTING SERIAL NUMBER B71A	WIRING INSTRUCTION See Reverse Side	

FIG.	PART NO.	DESCRIPTION OF PART	NO. REQ.
1	05-55-0620	M5 Hex Nut	(1)
2	05-88-1210	M4 x 14 Pan Hd. T-20 Screw	(4)
3	05-88-1250	M4 x 20 Pan Hd. T-20 Screw	(6)
4	05-88-1280	M4 x 10 Pan Hd. T-20 Screw	(2)
5	05-88-1290	M4 x 76 Pan Hd. T-20 Screw	(2)
6	05-88-1300	M4 x 28 T-20 Screw	(2)
7	05-90-0225	M4 Lock Washer	(6)
9	10-15-1230	Warning Label	(1)
10	12-20-6116	Service Nameplate	(1)
11	40-50-1480	Torsion Spring	(1)

Rubber Slug (30) is to be placed in a cavity by the bearing bore in the back of Motor Housing (29).



Functionally check Spindle Lock mechanism. Spindle Lock Pin (47) must return briskly when released from engagement in Gear (50).

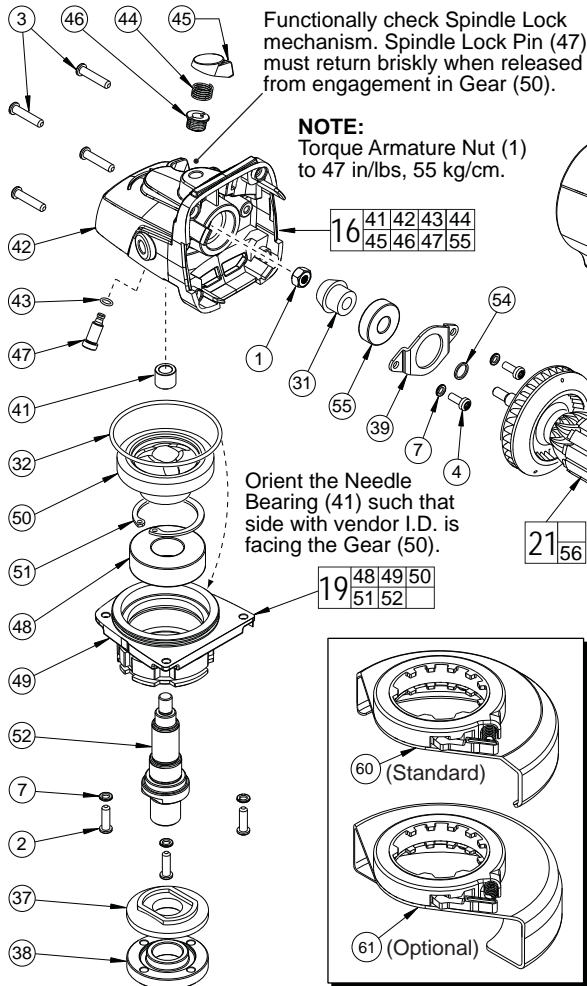
NOTE:
Torque Armature Nut (1) to 47 in/lbs, 55 kg/cm.

EXAMPLE:
Component Parts (Small #) Are Included When Ordering The Assembly (Large #).

*** LUBRICATION NOTE:**
When servicing the Gears (31 & 50) or the Gearcase (42), 90-95% of the old grease must be removed prior to new grease being added.

Orient Insulation Disc (56) with shoulder facing Ball Bearing (53) as shown. Exercise caution when installing. Make sure that the Insulation Disc rests against commutator bars with no visible gap.

SEE NEXT PAGE FOR ADDITIONAL SERVICE NOTES



Orient the Needle Bearing (41) such that side with vendor I.D. is facing the Gear (50).

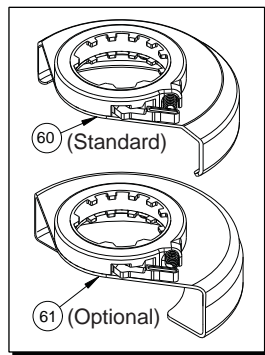


FIG.	PART NO.	DESCRIPTION OF PART	NO. REQ.
12	42-42-0620	Lock-Off Lever	(1)
13	06-65-1280	Lock-Off Pin	(1)
16	14-29-0310	Gearcase Assembly	(1)
17	14-34-0725	Rear Handle Assembly	(1)
18	31-92-0420	Paddle Trigger	(1)
19	14-73-0410	Spindle/Hub Assembly	(1)
20	14-78-0500	Paddle Trigger Assembly	(1)
21	16-10-7020	Service Armature Assembly	(1)
23	18-07-2300	Service Field	(1)
26	22-22-1560	Carbon Brush Assembly	(2)
27	22-64-2020	Cord	(1)
28	23-66-2665	Switch	(1)
29	31-50-2420	Motor Housing	(1)
30	31-53-0240	Rubber Slug	(1)
31	32-60-1310	Bevel Pinion	(1)
32	34-40-0180	O-Ring	(1)
33	40-50-1625	Lock-On Spring	(1)
34	42-14-0495	Fan Baffle	(1)
36	42-42-0660	Lock-On Button	(1)
37	43-34-0036	Inner Disk Flange	(1)
38	44-40-0035	Outer Flange Nut	(1)
39	44-66-0450	Bearing Retainer	(1)
40	44-76-0210	Strain Relief	(1)

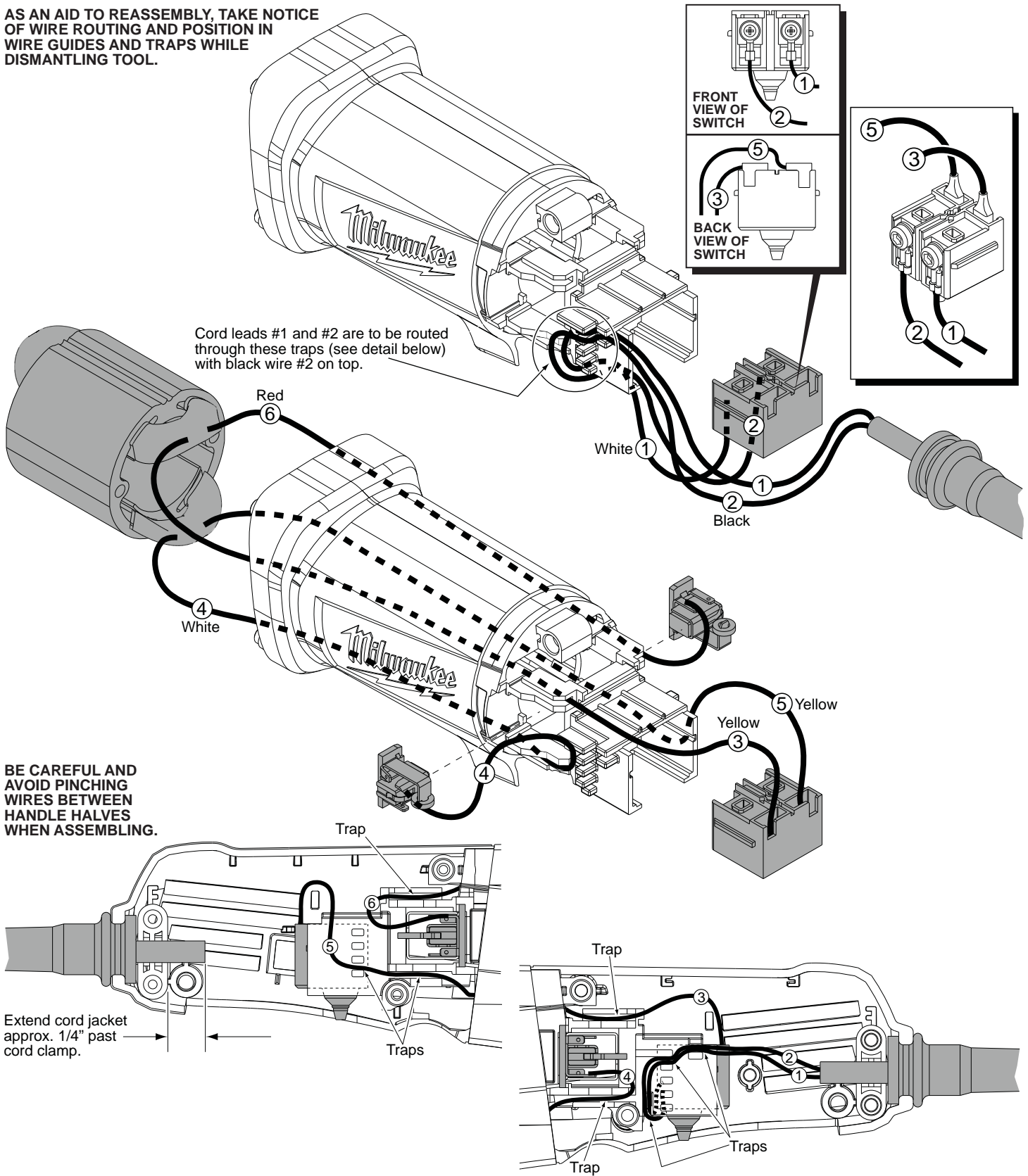
FIG.	PART NO.	DESCRIPTION OF PART	NO. REQ.
41	02-50-0025	Needle Bearing	(1)
42	-----	Gearcase	(1)
43	34-40-0450	O-Ring	(1)
44	40-50-1330	Compression Spring	(1)
45	42-42-0590	Spindle Lock Button	(1)
46	42-42-0580	Spindle Lock Tube	(1)
47	42-60-1660	Spindle Lock Pin	(1)
48	02-04-1150	Ball Bearing	(1)
49	28-53-0410	Lower Gearcase Hub	(1)
50	32-05-1310	Bevel Gear	(1)
51	34-80-2275	Retaining Ring	(1)
52	38-50-1280	Spindle	(1)
53	02-04-2110	Ball Bearing	(1)
54	45-88-0406	Washer	(1)
55	02-04-0620	Ball Bearing	(1)
56	43-86-0010	Insulation Disc	(1)
60	43-54-1070	4.5" T27 Guard Assembly (Standard)	(1)
61	43-54-1090	4.5" T1 Guard Assembly (Optional)	(1)
	42-62-0100	Side Handle (Not Shown)	(1)
	49-96-7205	Spanner Wrench (Not Shown)	(1)

FIG. LUBRICATION (*See lubrication note above):
31,50 Type "Y" Grease, No. 49-08-5270, Must Be Applied To All Gear Teeth.

32,42 Lightly coat with grease O-Ring and bearing bore in Gearcase.

42 .3 -.4 Ounces (9-12 Grams) Type "Y" Grease, No. 49-08-5270.

AS AN AID TO REASSEMBLY, TAKE NOTICE OF WIRE ROUTING AND POSITION IN WIRE GUIDES AND TRAPS WHILE DISMANTLING TOOL.



WIRING SPECIFICATIONS

Wire No.	Wire Color	Origin or Part No.	Gauge	Length	Terminals, Connectors and End Wire Preparation
1	White	22-64-2020	--	--	Component of cord set.
2	Black	22-64-2020	--	--	Component of cord set.
3	Yellow	18-07-2300	--	--	Component of field.
4	Red	18-07-2300	--	--	Component of field.
5	Yellow	18-07-2300	--	--	Component of field.
6	White	18-07-2300	--	--	Component of field.

BULK LEAD WIRE - BULLETIN 58-01-0003

NOTE:

All leads must be held to $\pm 1/16"$.
All lead lengths are before stripping.

TERMINAL DESCRIPTION		
Code	Part No.	Qty.
CONNECTOR DESCRIPTION		