



SERVICE PARTS LIST

BULLETIN NO.
54-38-0478

SPECIFY CATALOG NO. AND SERIAL NO. WHEN ORDERING PARTS		REVISED BULLETIN 54-38-0477	DATE Aug. '98
4-1/2" ANGLE GRINDER			
CATALOG NO. 6151	STARTING SERIAL NUMBER	868E	
WIRING INSTRUCTION			

EXAMPLE:



Component Parts (Small #) Are Included When Ordering The Assembly (Large #).

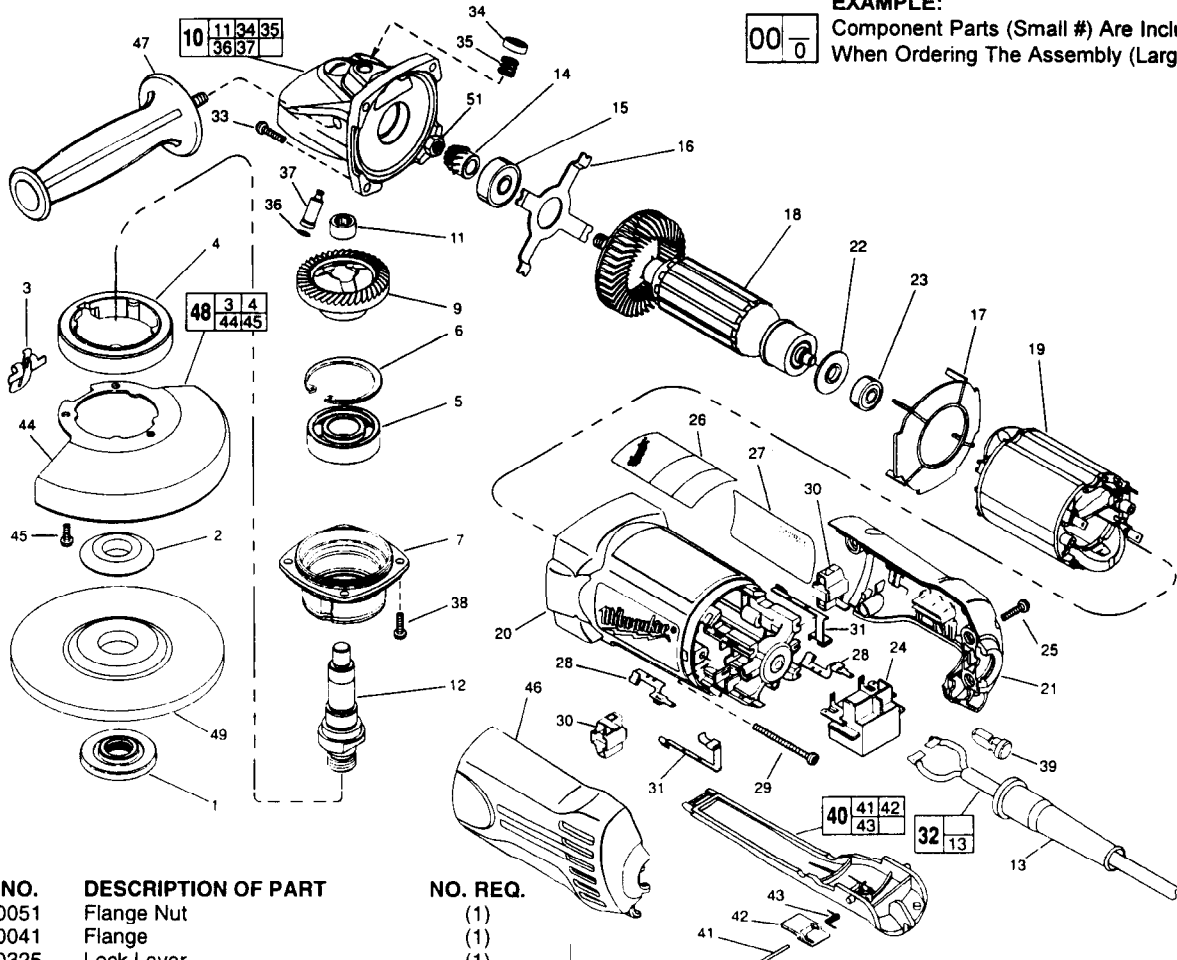


FIG.	PART NO.	DESCRIPTION OF PART	NO. REQ.
	1	Flange Nut	(1)
★	2	Flange	(1)
	3	Lock Lever	(1)
	4	Spacer	(1)
	5	Ball Bearing	(1)
	6	Retaining Ring - Internal	(1)
	7	Spindle Hub	(1)
	9	P.M. Gear	(1)
	10	Gear Case Assembly	(1)
	11	Needle Bearing	(1)
	12	Spindle	(1)
	13	Cord Protector	(1)
	14	Pinion Gear	(1)
★	15	Ball Bearing	(1)
	16	Bearing Retainer Plate	(1)
	17	Baffle	(1)
★	18	Armature	(1)
★	19	Field	(1)
	20	Motor Housing	(1)
	21	Right Cover	(1)
	22	Commutator Insulator	(1)
	23	Ball Bearing	(1)
	24	Switch	(1)
	25	6-19 x 7/8" Pan Hd. Plastite T-15	(4)
★	26	Service Nameplate Kit	(1)
★	27	Warning Label	(1)
	28	Brush Terminal	(2)
★	29	6-19 x 3-1/4" Pan Hd. Slit. Plast. T-15	(2)
	30	Brush Holder Assy. (Incl. Carbon Brush)	(2)
	31	Switch Terminal	(2)
	32	Cord Set Assembly	(1)
	33	8-16 x 1" Pan Hd. Slit. Plast. T-20	(4)
	34	Cap	(1)
	35	Compression Spring	(1)
	36	O-Ring	(1)

FIG.	PART NO.	DESCRIPTION OF PART	NO. REQ.
	37	Lock Pin	(1)
	38	8-32 x 1/2" Pan Hd. Slit. Tapt. T-20	(4)
	39	Plug	(1)
	40	Paddle Assembly	(1)
	41	Pin	(1)
	42	Lock-Off Button	(1)
	43	40-50-8750 Torsion Spring	(1)
	44	28-41-1020 Hood	(1)
	45	06-82-7251 8-16 x 3/8" Pan Hd. Slit. Plast. T-20	(3)
	46	31-15-0455 Left Cover	(1)
	47	49-15-0310 Side Handle	(1)
	48	49-12-0365 Guard Assembly	(1)
	49	----- 4-1/2" Disc - Select From Catalog	(1)
	51	06-55-3850 10-32 Hex Nut	(1)
		49-96-7205 Spanner Wrench	(1)

FIG. LUBRICATION:

9,14 Type "O" Grease, No. 49-08-4200, Must Be Applied To All Gear Teeth.

10 18-21 Grams Type "O" Grease, No. 49-08-4200.

FIG. NOTES:

- 7 Position The Spindle Hub With The Side That Has The Word "Back" Orientated Toward The Rear Of The Tool.
- 11 Press .09" Below Casting Surface.
- 32 Tuck All Cord Leads Away From Vent Openings.
- 51 Torque To 25-35 In./Lbs.