



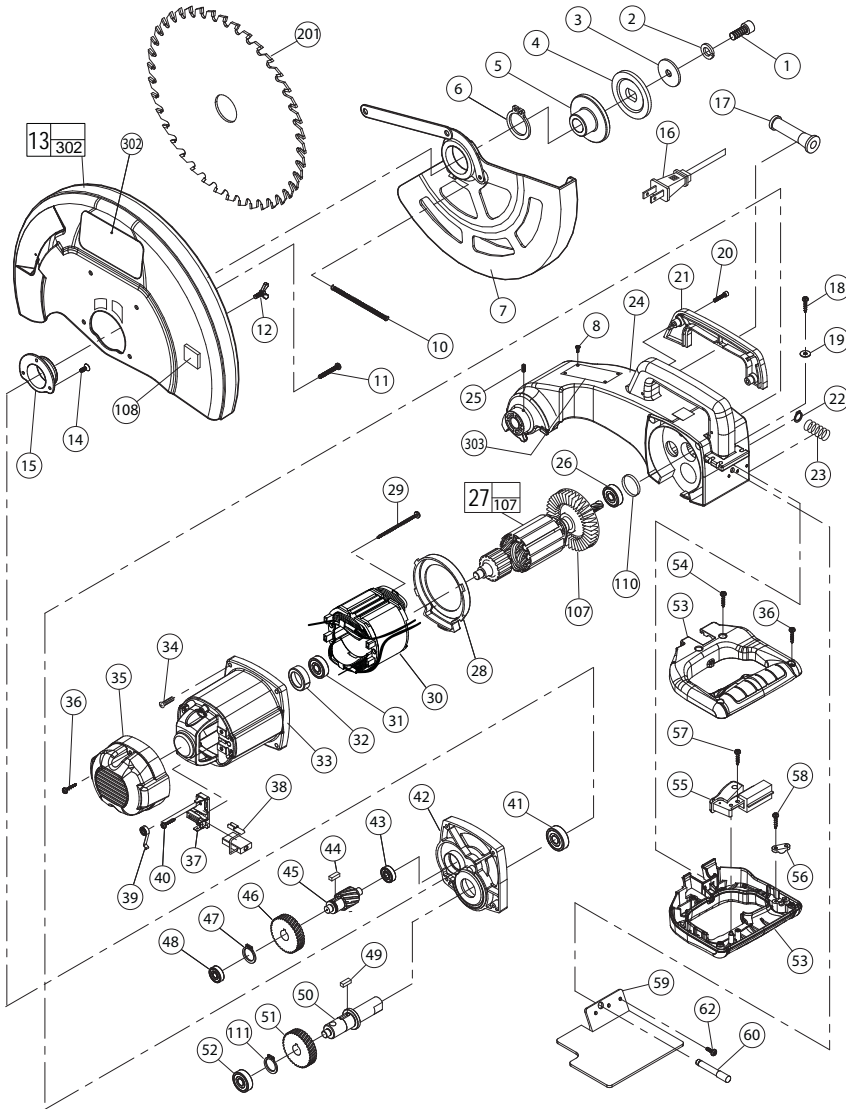
SERVICE PARTS LIST

BULLETIN NO.
54-40-0926

SPECIFY CATALOG NO. AND SERIAL NO. WHEN ORDERING PARTS		REVISED BULLETIN 54-40-0925	DATE May 2011
14" DRY CUT MACHINE			
CATALOG NO. 6190-20	STARTING SERIAL NO. 892B	WIRING INSTRUCTION 58-01-0575	



EXAMPLE:
Component Parts (Small #) Are Included
When Ordering The Assembly (Large #).



★ = Part number change from previous service parts list.

FIG. LUBRICATION:

24 Place 3 to 3.25 ounces (85 - 92 grams) of Type 'Y' Grease, No. 49-08-5270, in the gear cavity of the gear housing.

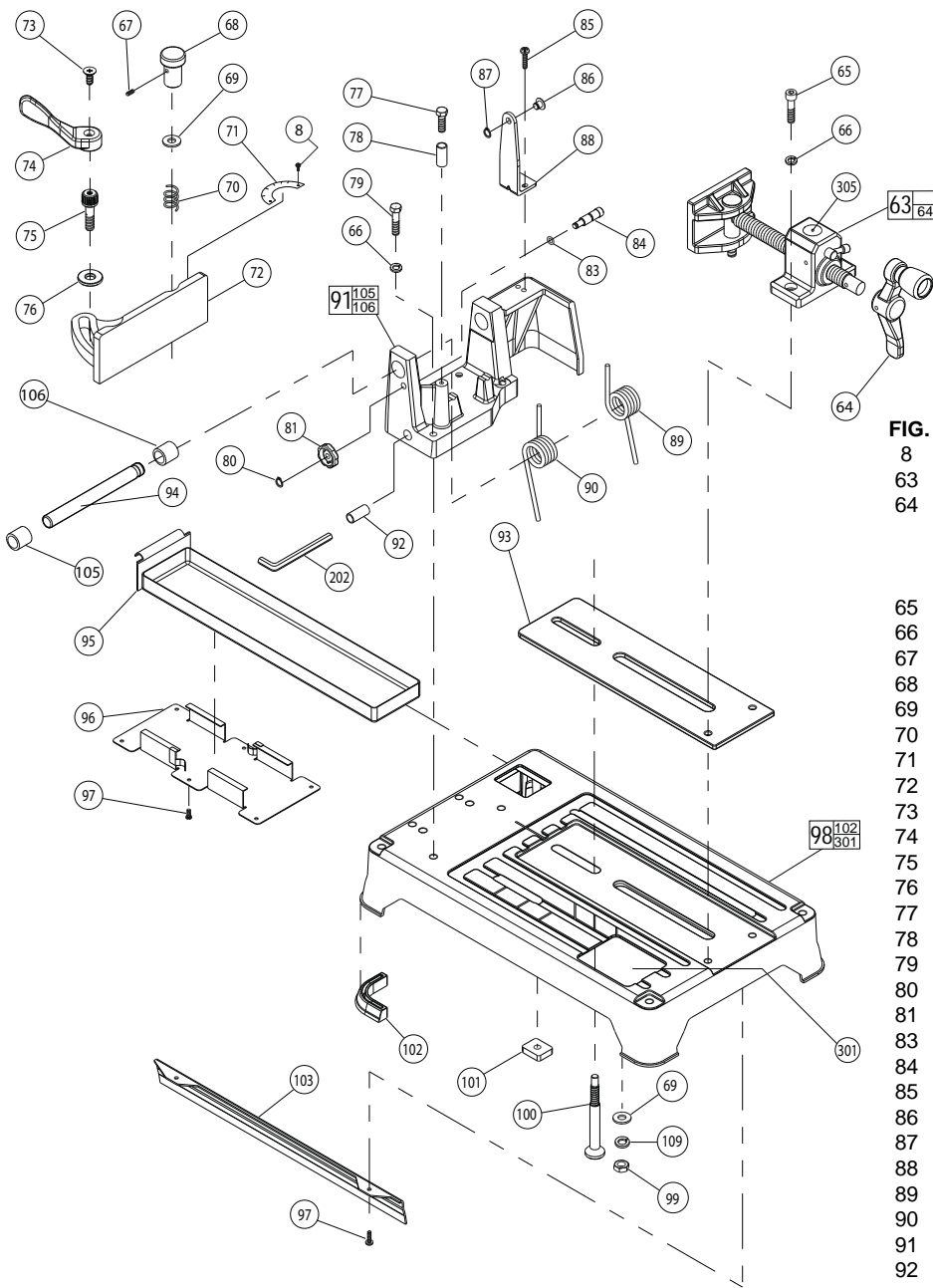
FIG. NOTES:

- 26 Seal to face spindle gear.
- 31 Seal to face armature.
- 32 Place in motor housing prior to inserting armature.

SERVICE TOOLS:

- 61-10-1025 3/8" Slide Hammer Attachment (1)
- 61-10-1050 1/2" Slide Hammer Attachment (1)
- 61-10-1075 1/4" Slide Hammer Attachment (1)

FIG.	PART NO.	DESCRIPTION OF PART	NO REQ.
1	05-74-0040	M10 x 35 Socket Hd. Hex Screw	(1)
2	45-88-1370	Split Washer	(1)
3	45-88-1365	Flat Washer	(1)
4	43-34-0425	Outer Flange	(1)
5	43-34-0430	Inner Flange	(1)
6	05-92-0085	Retaining Ring	(1)
7	43-54-0405	Safety Cover Set	(1)
8	06-72-1720	Service Rivet	(4)
10	40-50-0045	Safety Cover Tension Spring	(1)
11	05-81-0755	M5 x 35 Pan Hd. Screw	(4)
12	05-89-0060	M5 x 6 Thumb Screw	(1)
13	43-54-0385	Blade Cover	(1)
14	05-80-0445	M4 x 10 Counter Sunk Hd. Screw	(3)
15	43-56-0745	Safety Cover Guide	(1)
16	22-64-0800	Cord	(1)
17	44-76-0040	Cord Protector	(1)
18	05-78-0030	TS5 x 20 Tapping Screw	(2)
19	45-88-1025	Flat Washer	(2)
20	05-74-0030	M4 x 16 Socket Hd. Hex Screw	(2)
21	31-44-0170	Handle Cover	(1)
22	05-92-0090	Retaining Ring	(1)
23	40-50-0275	Spindle Lock Spring	(1)
24	31-40-0090	Gear Housing	(1)
25	05-86-0100	M4 x 10 Hex Socket Set Screw	(1)
26	02-04-0060	Ball Bearing	(1)
27	16-70-0530	Service Armature	(1)
28	42-14-0420	Fan Guide	(1)
29	05-78-0035	TS5 x 75 Tapping Screw	(2)
30	18-70-0530	Service Field	(1)
31	02-04-0065	Ball Bearing	(1)
32	42-96-0020	Rubber Cup	(1)
33	28-50-0040	Motor Housing	(1)
34	05-81-0775	M5 x 30 Pan Hd. Screw	(4)
35	42-92-0090	Motor Cover	(1)
36	05-78-0040	TS4 x 18 Tapping Screw	(2)
37	22-20-0025	Carbon Brush Holder	(2)
38	22-16-0045	Carbon Brush	(2)
39	40-50-0280	Brush Spring	(2)
40	05-78-0045	TS4 x 12 Tapping Screw	(4)
41	02-04-0085	Ball Bearing	(1)
42	28-20-0210	Front Cover	(1)
43	02-04-0075	Ball Bearing	(1)
44	43-96-0050	Square Key	(1)
45	36-14-0800	Gear Shaft	(1)
46	32-75-0030	Gear	(1)
47	05-92-0095	Retaining Ring	(1)
48	02-04-1090	Ball Bearing	(1)
49	43-96-0055	Square Key	(1)
50	38-50-0095	Spindle Shaft	(1)
51	32-75-0035	Gear	(1)
52	02-04-0080	Ball Bearing	(1)
53	31-44-0175	D-Handle Halves	(1)
54	05-78-0055	TS4 x 28 Tapping Screw	(2)
55	23-66-1035	Switch (Incl. 4 Screws & Star Washers)	(1)
56	44-76-0045	Strain Relief	(1)
57	05-78-0050	TS4 x 10 Tapping Screw	(1)
58	05-78-0020	TS4 x 14 Tapping Screw	(2)
59	43-54-0395	Chip Shield	(1)
60	44-60-0170	Spindle Lock Pin	(1)
62	05-81-0835	M4 x 12 Pan Hd. Screw	(3)
107	22-84-0090	Fan with Bushing	(1)
108	42-38-0125	Guard Bumper	(1)
110	34-40-6180	O-Ring	(1)
111	34-60-0335	Retaining Ring	(1)
201	-----	14" Dry-Cut Blade	(1)
302	10-15-2560	Logo Label	(2)
303	12-99-6190	Service Nameplate	(1)



★ = Part number change from previous service parts list.

FIG.	PART NO.	DESCRIPTION OF PART	NO REQ.
	8	06-72-1720 Service Rivet	(2)
	63	45-84-0120 Service Vise Assembly	(1)
	64	45-84-0125 Vise Handle Set (Includes two 1/4-20 Cup Point Set Screws, No. 06-83-6035, threaded into handle collar)	(1)
	65	05-74-0035 M8 x 35 Socket Hd. Hex Screw	(2)
	66	05-90-0030 Split Washer	(6)
	67	05-86-0105 M5 x 6 Hex Socket Set Screw	(1)
	68	43-98-0020 Fence Guide Knob	(1)
	69	45-88-1355 Flat Washer	(2)
	70	40-50-0285 Spring	(1)
	71	43-82-0140 Scale Indicator	(1)
	72	42-68-0715 Fence Guide	(1)
	73	05-80-0440 M6 x 12 Counter Sunk Hd. Screw	(1)
	74	44-10-0325 Fence Guide Lever	(1)
	75	42-32-0310 Fence Bolt	(1)
	76	45-88-1360 Flat Washer	(1)
	77	05-75-0010 M8 x 45 Hex Hd. Screw	(1)
	78	45-36-0630 Spacer	(1)
	79	05-75-0020 M8 x 50 Hex Hd. Screw	(4)
	80	05-92-0080 Retaining Ring	(1)
	81	31-01-0055 Transportation Lock Handle	(1)
	83	34-40-0030 O-Ring	(1)
	84	44-50-0100 Transportation Lock Pin	(1)
	85	05-81-0735 M5 x 20 Pan Hd. Screw	(2)
	86	44-60-1005 Guard Pin	(1)
	87	05-92-0100 Retaining Ring	(1)
	88	42-36-1765 Guard Linkage Bracket	(1)
	89	40-50-0320 Torsion Spring - Right	(1)
	90	40-50-0325 Torsion Spring - Left	(1)
	91	42-36-1745 Pivot Block with Bushings	(1)
	92	22-90-0205 Wrench Holder	(1)
	93	44-66-0210 Vise Guide Plate	(1)
	94	06-65-3745 Pivot Shaft	(1)
	95	44-54-0020 Chip Box	(1)
	96	44-66-0215 Chip Box Support Plate	(1)
	★ 97	05-78-0410 M4 x 12 Pan Hd. Screw	(8)
	98	28-06-1120 Base	(1)
	99	05-55-0120 M10 Hex Nut	(1)
	100	42-32-0315 Fence Guide Bolt	(1)
	101	05-59-0110 Fence Guide Nut	(1)
	102	44-34-0210 Rubber Foot	(4)
	103	43-54-0350 Base Side Shield	(1)
	105	----- Bushing (20mm) Incl. with Pivot Block	(1)
	106	----- Bushing (22mm) Incl. with Pivot Block	(1)
	109	45-88-1370 Split Washer	(1)
	202	49-96-0110 8mm Wrench	(1)
	301	10-15-0425 Warning Label	(1)
	305	10-15-9460 Warning Label	(1)

FIG. NOTES:

- 63,64 Vise handle set includes two (2) 1/4-20 cup point set screws threaded into handle collar.
- 98,102 If replacing the rubber feet, 3M Scotch-Grip® Rubber Cement, No. 44-22-0060, must be used to hold onto the base.