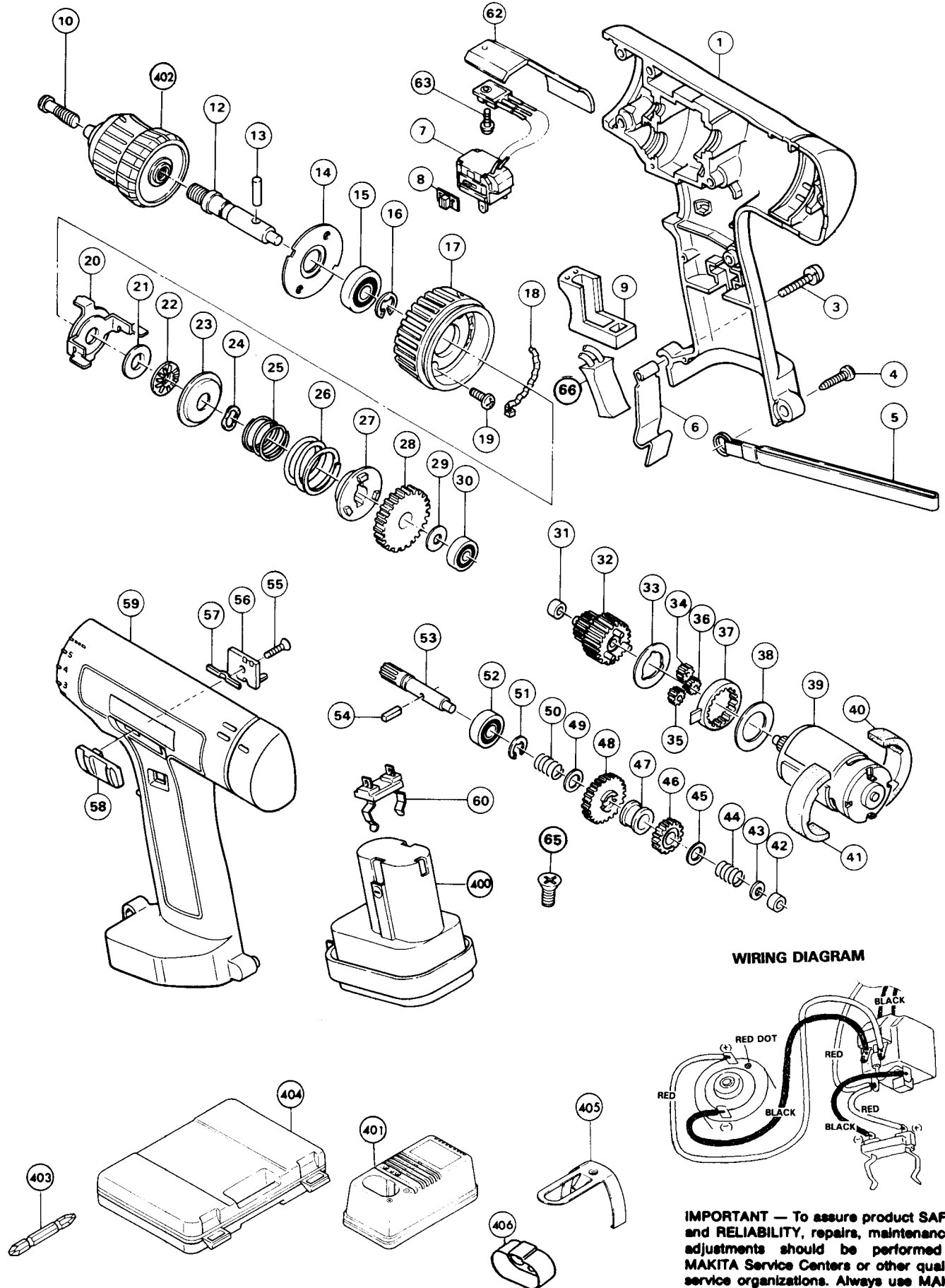


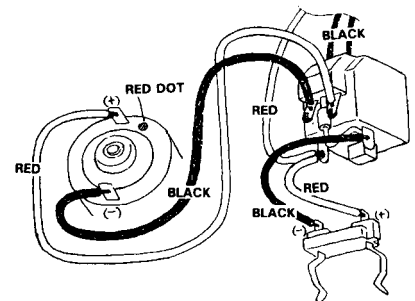


# 3/8" (10mm) CORDLESS DRIVER DRILL

Model 6212D  
Model 6212DWG



## WIRING DIAGRAM



**IMPORTANT** — To assure product **SAFETY** and **RELIABILITY**, repairs, maintenance or adjustments should be performed by **MAKITA** Service Centers or other qualified service organizations. Always use **MAKITA** replacement parts.