



# SERVICE PARTS LIST

**BULLETIN NO.**  
**54-40-0145**

**SPECIFY CATALOG NO. AND SERIAL NO. WHEN ORDERING PARTS**

REVISED BULLETIN  
54-40-0144

DATE  
Sept. '90

**8-1/4" D.I. CIRCULAR SAW**

**CATALOG NO. 6407**

**SERIAL NUMBER**

**633-11501**

**WIRING INSTRUCTION**  
**58-01-1250**

**EXAMPLE:**

Component Parts ( Small #) Are Included  
When Ordering The Assembly (Large #).

00/0

FIG.	PART NO.	DESCRIPTION OF PART	QTY.
1	02-04-0850	Ball Bearing	(1)
★ 2	02-04-2650	Ball Bearing	(2)
★ 3	02-04-2775	Ball Bearing	(1)
4	02-50-2423	Needle Bearing	(1)
5	06-55-0835	8-32 Hex Nut	(4)
6	06-55-1985	5/16-18 Hex Nut	(1)
★ 7	06-65-1535	1/8 x 3/4" Roll Pin	(1)
8	06-75-0474	3/8-24 x 11/16" Blade Screw	(1)
★ 9	06-82-2362	8-32 x 1" Slot. Pan Hd. T-20	(1)
★ 10	06-82-5316	8-32 x 1/2" Slot. Pan Hd. Tapt. T-20	(4)
★ 11	06-82-7252	8-32 x 3/8" Slot. Pan Hd. Tapt. T-20	(1)
★ 12	06-82-7270	8-16 x 5/8" Slot. Pan Hd. Plast. T-20	(2)
★ 13	06-82-7453	8-16 x 2-1/4" Slot. Pan Hd. Plast. T-20	(4)
★ 14	06-83-3620	4-40 x 1/2" Socket Set Screw	(1)
★ 15	06-95-0335	1/4-20 x 1/2" Fil. Hd. Screw	(2)

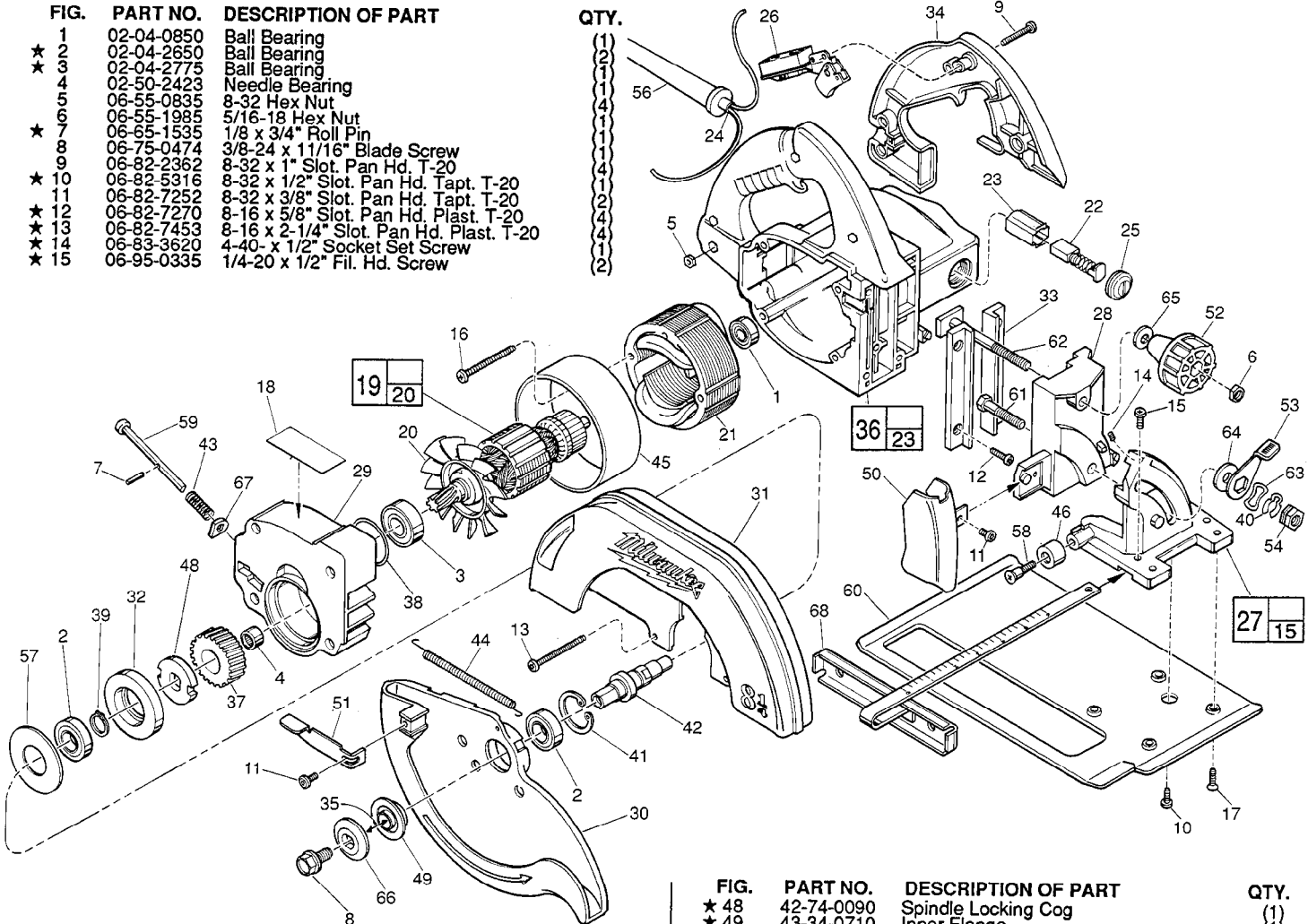


FIG.	PART NO.	DESCRIPTION OF PART	QTY.
★ 16	06-95-0370	10-24 x 1-3/4" Pan Hd. #2 Phil. Swag Form	(2)
★ 17	06-95-3250	8-32 x 5/8" Fil Hd. #2 Phil. Tapt. Screw	(4)
★ 18	12-99-0358	Nameplate Blank	(1)
★ 19	16-70-0430	120 V Armature	(1)
20	22-84-0655	Fan Assembly	(1)
21	18-70-0031	120 V Field	(1)
22	22-18-0550	Carbon Brush Assembly	(1)
23	22-20-0350	Brush Insert	(2)
★ 24	22-64-0785	Cord Set	(1)
25	23-44-0160	Brush Retaining Screw	(2)
26	23-66-0167	Switch	(1)
★ 27	28-10-0791	Angular Adjusting Bracket Assembly	(1)
★ 28	28-10-0811	Vertical Adjusting Bracket	(1)
★ 29	28-14-2170	Gear Case	(1)
★ 30	28-41-0930	Lower Guard	(1)
★ 31	28-41-0940	Upper Guard	(1)
★ 32	28-53-0280	Hub	(1)
★ 33	28-72-0049	Vertical Adjusting Plate	(1)
★ 34	31-44-1420	Left Handle Half	(2)
35			
★ 36	31-50-0511	8-1/4" Blade (Select from Catalog)	(1)
★ 37	32-75-3330	Motor Housing Assembly	(1)
★ 38	34-40-1375	Gear	(1)
★ 39	34-60-1200	1-1/4" O-Ring	(1)
★ 40	34-60-2330	Retaining Ring	(1)
★ 41	34-80-2600	Klipring	(1)
★ 42	38-50-5820	Internal Retaining Ring	(1)
★ 43	40-50-8040	Spindle	(1)
★ 44	40-50-8350	Spindle Lock Spring	(1)
★ 45	42-14-0310	Lower Guard Spring	(1)
★ 46	42-38-0223	Baffle	(1)
		Bumper	(1)

FIG.	PART NO.	DESCRIPTION OF PART	QTY.
★ 48	42-74-0090	Spindle Locking Cog	(1)
★ 49	43-34-0710	Inner Flange	(1)
★ 50	43-54-0547	Front Blade Guard	(1)
★ 51	43-62-0910	Lower Blade Handle	(1)
★ 52	43-98-0190	Vertical Adjusting Knob	(1)
★ 53	44-10-0200	Lever	(1)
★ 54	44-40-0460	Adjustment Nut	(1)
★ 56	44-76-0050	Cord Protector	(1)
★ 57	44-86-0520	Bearing Retainer Plate	(1)
★ 58	45-04-0505	Bumper Screw	(1)
★ 59	45-08-0200	Spindle Lock Shaft	(1)
★ 60	45-16-0575	Shoe	(1)
★ 61	45-58-0270	Angular Adjusting Stud	(1)
★ 62	45-58-0325	Vertical Adjusting Stud	(1)
★ 63	45-88-0577	Wave Washer	(1)
★ 64	45-88-0650	Angular Adjusting Washer	(1)
★ 65	45-88-0660	Adjusting Washer	(1)
★ 66	45-88-8200	Spindle Washer	(1)
★ 67	45-88-8250	Felt Washer	(1)
68	49-22-4150	Rip Fence (Optional)	(1)
	49-96-6200	9/16" Box Wrench	(1)

**FIG. 10, 11, 14, 27, 28, 33**  
**NOTE**  
Apply Blue Loctite, Type CV-242.  
Apply a light coat of dry teflon spray lubricant to all sliding surfaces.  
Hooks of spring must be completely inserted in slots.  
Long hook in upper guard.  
Radius on locking cog must be up against face of gear.  
Flat of spindle lock shaft must face gear.

**FIG. 29**  
**LUBRICATION**  
1/2 Oz. Type "O" Grease, No. 49-08-4200.

**MILWAUKEE ELECTRIC TOOL CORPORATION**  
13135 W. LISBON RD., BROOKFIELD, WI 53005