



SERVICE PARTS LIST

BULLETIN NO.:

54-40-0180

SPECIFY CATALOG NO. AND SERIAL NO. WHEN ORDERING PARTS		REVISED BULLETIN	DATE
10-1/4" SAW MOTOR O.E.M.			May '89
CATALOG NO. 6465	STARTING SERIAL NO. 772-1001	WIRING INSTRUCTION	
		58-01-0750	

EXAMPLE:
Component Parts
(Small #) Are Included
When Ordering
The Assembly
(Large #).

00 0

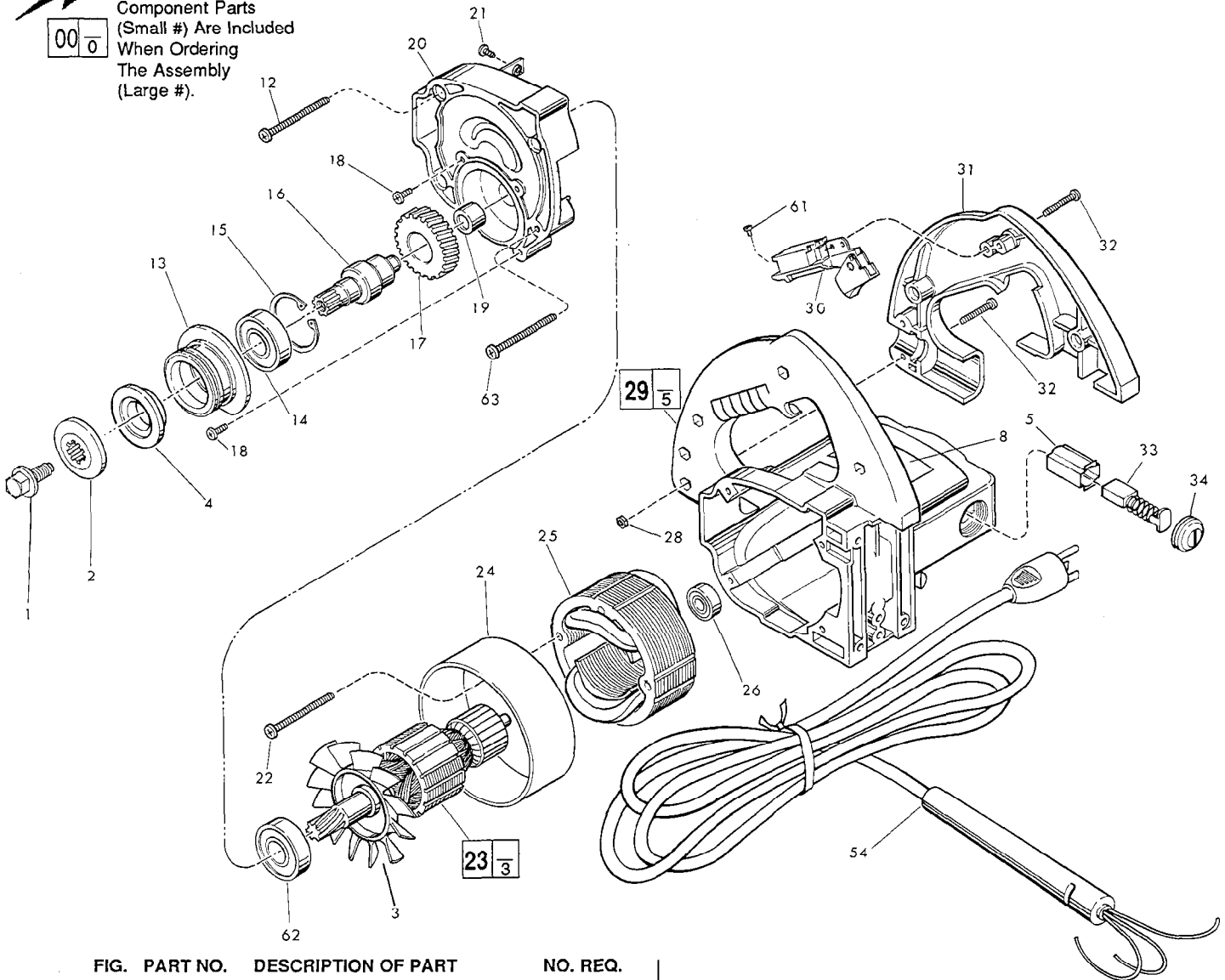


FIG.	PART NO.	DESCRIPTION OF PART	NO. REQ.
	1	06-75-0474 Blade Screw	(1)
	2	45-88-0286 Spindle Blade Retaining Washer	(1)
	3	22-84-0655 Fan Assembly	(1)
	4	43-34-0540 Spindle Flange	(1)
	5	22-20-0350 Brush Insert	(2)
	8	12-99-0780 Nameplate Blank	(1)
	12	06-95-3270 8-16x1" Plastite Pan Hd. Screw	(3)
	13	43-78-0250 Lower Guard Hub	(1)
	14	02-04-1748 Ball Bearing	(1)
	15	34-80-2960 Retaining Ring-Internal	(1)
	16	38-50-1075 Gear Spindle	(1)
	17	32-75-2790 Spindle Gear	(1)
	18	06-82-7252 8-32x3/8" Pan Hd. Slit. Torx Screw	(4)
	19	02-50-2423 Needle Bearing	(1)
	20	14-30-0290 Gear Case Assembly	(1)
	21	06-81-8820 Ground Screw	(1)
	22	06-95-0385 10-24x2-1/4" Thread Form Screw	(2)
	23	16-70-0131 120 V. Armature	(1)
	24	23-16-0691 Field Insulating Sleeve	(1)
	25	18-70-0095 120 V. Field	(1)
	26	02-04-0850 Ball Bearing	(1)
	28	06-55-0835 8-32 Hex Nut	(5)
	29	31-50-0150 Motor Housing Assembly	(1)

FIG.	PART NO.	DESCRIPTION OF PART	NO. REQ.
	30	23-66-1800 Switch	(1)
	31	31-44-0481 L.H. Handle	(1)
	32	06-82-2362 8-32x1" Pan Hd. Slit. Torx Screw	(5)
	33	22-18-0147 Carbon Brush Assembly	(2)
	34	23-44-0160 Brush Retaining Screw	(2)
	54	22-64-0105 Cord Set	(1)
	59	49-96-6200 9/16" Wrench (Not Shown)	(1)
	61	05-78-0305 Switch Screw	(4)
	62	02-04-1748 Ball Bearing	(1)
	63	06-82-7382 8-16x1-5/8" Pan Hd. Plastite Torx Screw	(1)

FIG. LUBRICATION

20 1/2 Oz. Type "O" Grease, Cat. No. 49-08-4200.

FOR 6465-2 240 V CIRCLE SAW: 773-1001

16-76-0130	Armature
18-76-0090	Field
22-64-4000	Cord Set

MILWAUKEE ELECTRIC TOOL CORPORATION
13135 W. LISBON RD., BROOKFIELD, WI 53005