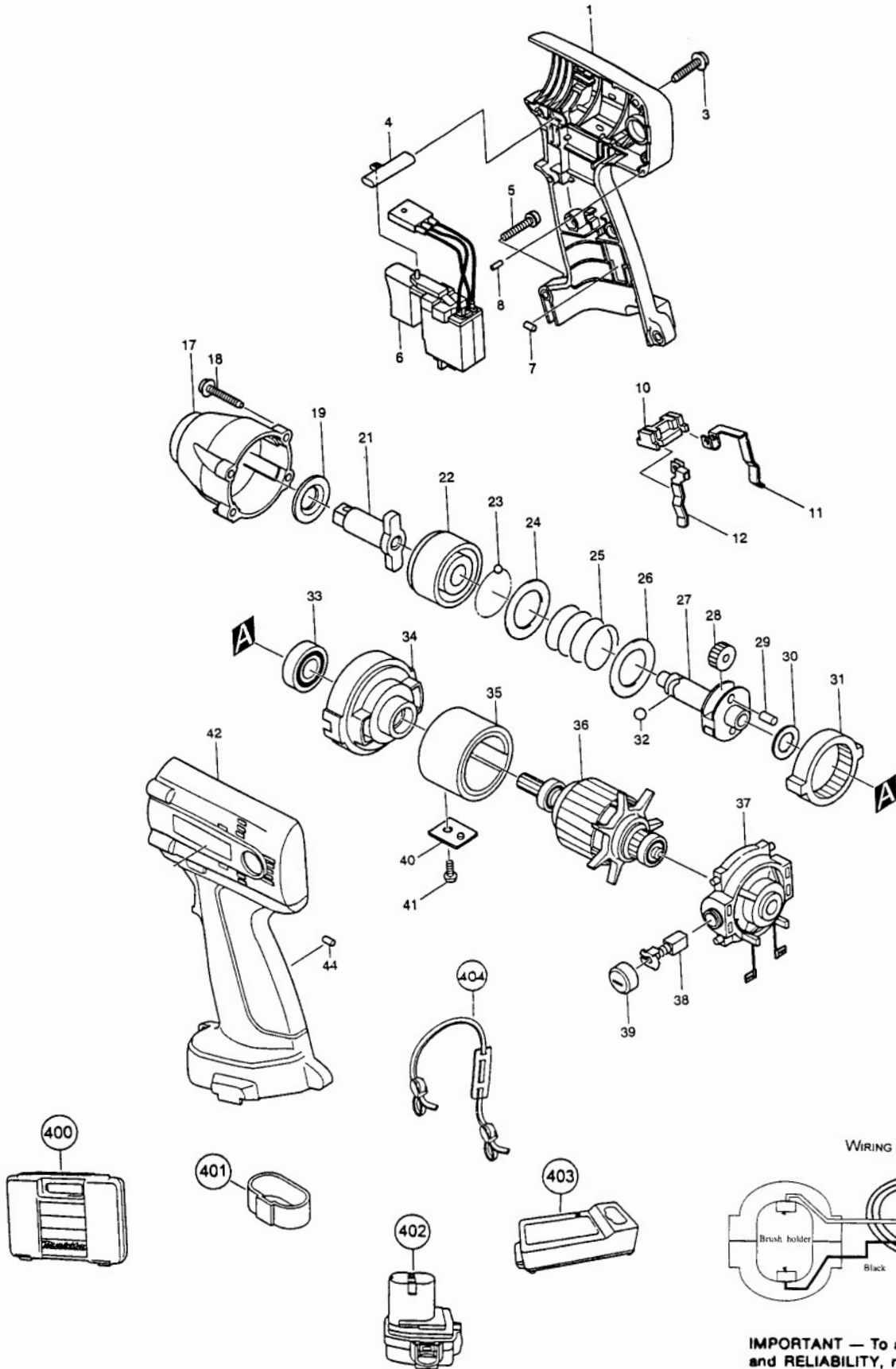


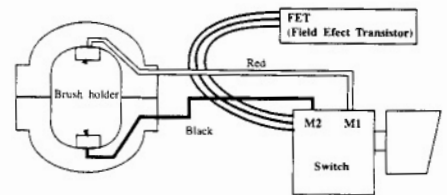


CORDLESS IMPACT WRENCH

MODEL 6918DWD



WIRING DIAGRAM



IMPORTANT — To assure product **SAFETY** and **RELIABILITY**, repairs, maintenance or adjustments should be performed by **MAKITA** Service Centers or other qualified service organizations. Always use **MAKITA** replacement parts.

Fig.	Part No.	Qty. Used	Description	Fig.	Part No.	Qty. Used	Description
1	183237-5	1	HOUSING SET (INCL. FIG. 7,42,44)	32	216011-7	2	STEEL BALL 5.6
3	265995-6	6	TAPPING SCREW 4X18	33	211140-1	1	BALL BEARING 6901LLB
4	416079-5	1	F/R CHANGE LEVER	34	417269-3	1	INTERNAL GEAR CASE
5	911143-2	1	PAN HEAD SCREW M4X22	35	632965-4	1	YOKE UNIT
6	651989-1	1	SWITCH	36	619057-6	1	ARMATURE
7	263024-9	1	RUBBER PIN 4	37	632969-6	1	ENDBELL COMPLETE (INCL. 2 EA. RECEPTACLE 654069-2)
8	256176-3	1	PIN 2.5	38	191975-5	1	CARBON BRUSH CB-431
10	687085-9	1	HOLDER	39	643933-2	2	HOLDER CAP
11	654168-0	1	SPRING TERMINAL (+)	40	689096-0	1	FET SPACER
12	654169-8	1	SPRING TERMINAL (-)	41	266170-7	1	TAPPING SCREW ST3X8
17	151946-4	1	HAMMER CASE COMPLETE	42	183237-5	1	HOUSING SET (INCL. FIG. 1,7,44)
18	265999-8	4	TAPPING SCREW 4X25	44	263024-9	1	RUBBER PIN 4
19	261116-8	1	NYLON WASHER 18				
21	323893-1	1	ANVIL				
22	323997-9	1	HAMMER				
23	216001-0	25	STEEL BALL 3.5				ACCESSORIES
24	267175-0	1	FLAT WASHER 24	400	824489-6	1	PLASTIC TOOL CASE (INCL. 1 EA. SLIDE LATCH SET 186347-7)
25	233274-0	1	COMPRESSION SPRING 25	401	414938-7	1	BATTERY COVER
26	267175-0	1	FLAT WASHER 24	402	193157-5	1	NI-MH (2.6A) BATTERY 1234
27	323994-5	1	SPINDLE	403	DC1411	1	FAST CHARGER DC1411
28	226336-1	2	SPUR GEAR 22	404	193122-4	1	SHOULDER STRAP SET
29	256253-1	2	PIN 5				
30	267212-0	1	FLAT WASHER 12				
31	227001-5	1	INTERNAL GEAR 51				

2 MODEL 6918DWD

06-00