

JET[®]

Operating Instructions and Parts Manual Oscillating Spindle Sander Model JOVS-10



WALTER MEIER (Manufacturing) Inc.

427 New Sanford Road
LaVergne, Tennessee 37086
Ph.: 800-274-6848
www.waltermeier.com

Part No. M-708411

Revision B2 11/2010

Copyright © 2010 Walter Meier (Manufacturing) Inc.

Warranty and Service

Walter Meier (Manufacturing) Inc., warrants every product it sells. If one of our tools needs service or repair, one of our Authorized Service Centers located throughout the United States can give you quick service. In most cases, any of these Walter Meier Authorized Service Centers can authorize warranty repair, assist you in obtaining parts, or perform routine maintenance and major repair on your JET® tools. For the name of an Authorized Service Center in your area call 1-800-274-6848.

MORE INFORMATION

Walter Meier is consistently adding new products to the line. For complete, up-to-date product information, check with your local Walter Meier distributor, or visit waltermeier.com.

WARRANTY

JET products carry a limited warranty which varies in duration based upon the product (MW = Metalworking, WW = Woodworking).

90 DAY WARRANTY	1 YEAR WARRANTY	Body Repair Kits Bottle Jacks Cable Pullers Cold Saws Hoists-Air Hoists-Electric Metal forming Mill/Drills Milling Machines MW Bandsaws MW Drill Presses MW Finishing Equipment MW Lathes MW Precision Vises	2 YEAR WARRANTY	Palet Trucks Rigging Equip. Service Jacks Stackers Surface Grinders Tapping Trolleys-Air Trolleys-Electric Web Slings Winches-Electric	3 YEAR WARRANTY	WW Benchtop Tools	5 YEAR WARRANTY	Beam Clamps Chain Hoist-Manual Lever Hoists Pullers-JCH Models Scissor Lift Tables Screw Jacks Trolleys-Geared Trolleys-Plain Winches-Manual WW Air Filtration WW Bandsaws WW Buffers	WW Drill Presses WW Dust Collectors WW Dust Filters WW Dust Fittings WW Jointers WW Lathes WW Planers WW Sanders WW Shapers WW Tablesaws	LIFE LIFETIME WARRANTY	Fastening Tools Mechanics Hand Tools Striking Tools Vises (no -precision) Clamps
Warranty reverts to 1 Year Warranty if woodworking (WW) products listed above are used for industrial or educational purposes.											

WHAT IS COVERED?

This warranty covers any defects in workmanship or materials subject to the exceptions stated below. Cutting tools, abrasives and other consumables are excluded from warranty coverage.

WHO IS COVERED?

This warranty covers only the initial purchaser of the product.

WHAT IS THE PERIOD OF COVERAGE?

The general JET warranty lasts for the time period specified in the product literature of each product.

WHAT IS NOT COVERED?

Five Year Warranties do not cover woodworking (WW) products used for commercial, industrial or educational purposes. Woodworking products with Five Year Warranties that are used for commercial, industrial or education purposes revert to a One Year Warranty. This warranty does not cover defects due directly or indirectly to misuse, abuse, negligence or accidents, normal wear-and-tear, improper repair or alterations, or lack of maintenance.

HOW TO GET SERVICE

The product or part must be returned for examination, postage prepaid, to a location designated by us. For the name of the location nearest you, please call 1-800-274-6848.

You must provide proof of initial purchase date and an explanation of the complaint must accompany the merchandise. If our inspection discloses a defect, we will repair or replace the product, or refund the purchase price, at our option. We will return the repaired product or replacement at our expense unless it is determined by us that there is no defect, or that the defect resulted from causes not within the scope of our warranty in which case we will, at your direction, dispose of or return the product. In the event you choose to have the product returned, you will be responsible for the shipping and handling costs of the return.

HOW STATE LAW APPLIES

This warranty gives you specific legal rights; you may also have other rights which vary from state to state.

LIMITATIONS ON THIS WARRANTY

WALTER MEIER (MANUFACTURING) INC., LIMITS ALL IMPLIED WARRANTIES TO THE PERIOD OF THE LIMITED WARRANTY FOR EACH PRODUCT. EXCEPT AS STATED HEREIN, ANY IMPLIED WARRANTIES OR MERCHANTABILITY AND FITNESS ARE EXCLUDED. SOME STATES DO NOT ALLOW LIMITATIONS ON HOW LONG THE IMPLIED WARRANTY LASTS, SO THE ABOVE LIMITATION MAY NOT APPLY TO YOU.

WALTER MEIER SHALL IN NO EVENT BE LIABLE FOR DEATH, INJURIES TO PERSONS OR PROPERTY, OR FOR INCIDENTAL, CONTINGENT, SPECIAL, OR CONSEQUENTIAL DAMAGES ARISING FROM THE USE OF OUR PRODUCTS. SOME STATES DO NOT ALLOW THE EXCLUSION OR LIMITATION OF INCIDENTAL OR CONSEQUENTIAL DAMAGES, SO THE ABOVE LIMITATION OR EXCLUSION MAY NOT APPLY TO YOU.

Walter Meier sells through distributors only. The specifications in Walter Meier catalogs are given as general information and are not binding. Members of Walter Meier reserve the right to effect at any time, without prior notice, those alterations to parts, fittings, and accessory equipment which they may deem necessary for any reason whatsoever. JET®-branded products are not sold in Canada by Walter Meier.

Table of Contents

- Warranty and Service.....2
- Table of Contents3
- Warning4
- Grounding Instructions6
- Introduction7
- Specifications7
- Unpacking.....8
 - Contents of the Shipping Container8
 - Mounting Sanding Sleeves.....9
 - Installing Sanding Assemblies9
 - Removing Sanding Assemblies9
 - Table Insert.....10
 - Sanding Assembly 90° to Table.....10
 - Replacing Sanding Sleeve11
- Dust Collection11
- Maintenance11
- Replacement Parts12
 - Breakdown for the JOVS-10 Oscillating Spindle Sander13
 - Parts List for the JOVS-10 Oscillating Spindle Sander.....14
 - Sanding Assemblies16
 - Parts List for Sanding Assemblies17
- Electrical Connections.....18

Warnings

Wear eye protection.

Always keep guards in place and in proper operating condition. Do not operate the machine without the guards for any reason.

This sander is intended to be used with wood and wood products only. Use of this sander and a dust collector with metal products is a potential fire hazard.

Support the workpiece adequately at all times during operation; maintain control of the work at all times.

- **REMOVE ADJUSTING KEYS AND WRENCHES.** Form a habit of checking to see that keys and adjusting wrenches are removed from the machine before turning it on.
- **KEEP THE WORK AREA CLEAN.** Cluttered areas and benches invite accidents.
- **DON'T USE IN A DANGEROUS ENVIRONMENT.** Don't use power tools in damp or wet locations, or expose them to rain. Keep work area well lighted.
- **KEEP CHILDREN AWAY.** All visitors should be kept a safe distance from the work area.
- **MAKE THE WORKSHOP KIDPROOF** with padlocks, master swatches, or by removing starter keys.
- **DON'T FORCE THE MACHINE.** It will do the job better and safer at the rate for which it was designed.
- **USE THE RIGHT TOOL.** Don't force a machine or attachment to do a job for which it was not designed.
- **USE THE PROPER EXTENSION CORD.** Make sure your extension cord is in good condition. When using an extension cord, be sure to use one heavy enough to carry the current your machine will draw. An undersized cord will cause a drop in the line voltage resulting in power loss and overheating. The table following shows the correct size to use depending on the cord length and nameplate ampere rating. If in doubt, use the next heavier gauge. Remember, the smaller the gauge number, the heavier the cord.

Volts	Total Length of Cord in Feet	
	120V	25 ft.
	AWG	
	16	14

- **WEAR PROPER APPAREL.** Do not wear loose clothing, gloves, neckties, rings, bracelets, or other jewelry which may get caught in moving parts. Nonslip footwear is recommended. Wear protective hair covering to contain long hair.
- **ALWAYS USE SAFETY GLASSES.** Also use face or dust masks if the cutting operation is dusty. Everyday eyeglasses only have impact resistant lenses; they are not safety glasses.
- **DON'T OVERREACH.** Keep proper footing and balance at all times.
- **MAINTAIN TOOLS WITH CARE.** Keep tools sharp and clean for best and safest performance. Follow instructions for lubricating and changing accessories.
- **ALWAYS DISCONNECT THE MACHINE FROM THE POWER SOURCE BEFORE SERVICING.**
- **REDUCE THE RISK OF UNINTENTIONAL STARTING.** Make sure the switch is in the off position before plugging in.

- **USE RECOMMENDED ACCESSORIES.** The use of accessories and attachments not recommended by JET may cause hazards or risk of injury to persons.
- **NEVER STAND ON A MACHINE.** Serious injury could occur if the machine is tipped.
- **CHECK DAMAGED PARTS.** Before further use of the machine, a guard or other part that is damaged should be carefully checked to determine that it will operate properly and perform its intended function - check for alignment of moving parts, binding of moving parts, breakage of parts, mounting, and any other conditions that may affect its operation. A guard or other part that is damaged should be properly repaired or replaced.
- **NEVER LEAVE THE MACHINE RUNNING UNATTENDED. TURN POWER OFF.** Don't leave the machine until it comes to a complete stop.
- **SOME DUST CREATED** by power sanding, sawing, grinding, drilling and other construction activities contains chemicals known to cause cancer, birth defects or other reproductive harm. Some examples of these chemicals are:
 - Lead from lead based paint
 - Crystalline silica from bricks and cement and other masonry products, and
 - Arsenic and chromium from chemically-treated lumber.

Your risk from those exposures varies, depending on how often you do this type of work. To reduce your exposure to these chemicals: work in a well ventilated area, and work with approved safety equipment, such as those dust masks that are specifically designed to filter out microscopic particles

- **DO NOT** operate tool while under the influence of drugs, alcohol or any medication.
- **AVOID** kickback by sanding in accordance with directional arrows.
- **DO NOT** sand pieces of material that are too small to be safely supported.
- **WHEN** sanding a large workpiece, provide additional support at table height.
- **ADDITIONAL INFORMATION** regarding the safe and proper operation of this product is available from the National Safety Council, 1121 Spring Lake Drive, Itasca, IL 60143-3201, in the Accident Prevention Manual for Industrial Operations and also in the safety Data Sheets provided by the NSC. Please also refer to the American National Standards Institute ANSI 01.1 Safety Requirements for Woodworking Machinery and the U.S. Department of Labor OSHA 1910.213 Regulations.
- **SAVE THESE INSTRUCTIONS** Refer to them often and use them to instruct others.

Familiarize yourself with the following safety notices used in this manual:

CAUTION This means that if precautions are not heeded, it may result in minor injury and/or possible machine damage.

WARNING This means that if precautions are not heeded, it may result in serious or even fatal injury.

Grounding Instructions

Caution: This tool must be grounded while in use to protect the operator from electric shock.

In the event of a malfunction or breakdown, grounding provides a path of least resistance for electric current to reduce the risk of electric shock. This tool is equipped with an electric cord having an equipment-grounding conductor and a grounding plug. The plug must be plugged into a matching outlet that is properly installed and grounded in accordance with all local codes and ordinances.

Do not modify the plug provided. If it will not fit the outlet, have the proper outlet installed by a qualified electrician.

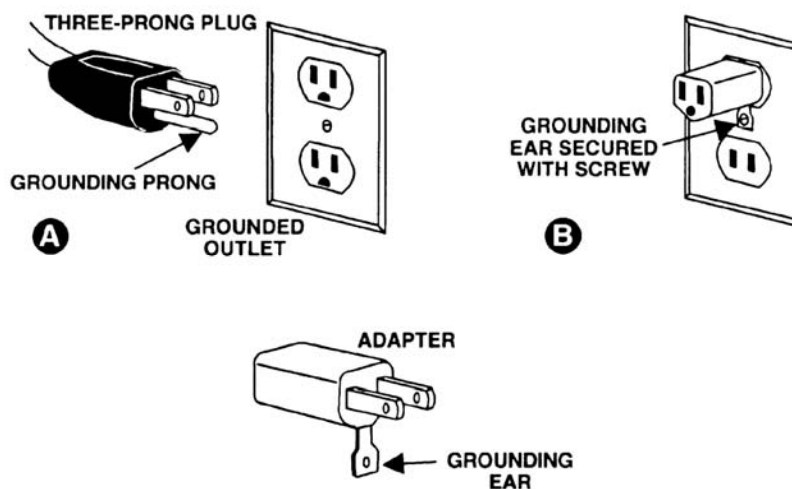
Improper connection of the equipment-grounding conductor can result in a risk of electric shock. The conductor, with insulation having an outer surface that is green with or without yellow stripes, is the equipment-grounding conductor. If repair or replacement of the electric cord or plug is necessary, do not connect the equipment-grounding conductor to a live terminal.

Check with a qualified electrician or service personnel if the grounding instructions are not completely understood, or if in doubt as to whether the tool is properly grounded. Use only three wire extension cords that have three-prong grounding plugs and three-pole receptacles that accept the tool's plug.

Repair or replace a damaged or worn cord immediately.

115 Volt Operation

As received from the factory, your sander is ready to run at 115 volt operation. This sander, when wired for 115 volt, is intended for use on a circuit that has an outlet and a plug that looks like the one illustrated in (A). A temporary adapter, which looks like the adapter as illustrated in (B), may be used to connect this plug to a two-pole receptacle, as shown in (B) if a properly grounded outlet is not available. The temporary adapter should only be used until a properly grounded outlet can be installed by a qualified electrician. **This adapter is not applicable in Canada.** The green colored rigid ear, lug, or tab, extending from the adapter, must be connected to a permanent ground such as a properly grounded outlet box, as shown in (B).



Introduction

This manual is provided by Walter Meier (Manufacturing) Inc., covering the safe operation and maintenance procedures for a JET Model JOVS-10 Oscillating Spindle Sander. This manual contains instructions on installation, safety precautions, general operating procedures, maintenance instructions and parts breakdown. This machine has been designed and constructed to provide years of trouble free operation if used in accordance with instructions set forth in this manual. If there are any questions or comments, please contact either your local supplier or Walter Meier. Walter Meier can also be reached at our web site: www.waltermeier.com.

Specifications

Model Number	JOVS-10
Stock Number	708411
Table Size (in.)	24 x 24
Table Tilt (deg.)	45 down
Dust Port Diameter (in.).....	4
Spindle Speed (RPM)	1,725
Oscillations per Minute.....	75
Length of Oscillation (in.).....	1-1/2
Worm Gear Environment.....	oil bath
Motor.....	TEFC, 1HP, 1Ph, 115V Only, 10A, 60Hz
Control Switch	Industrial Push Button
Overall Dimensions (L x W x H)(in.)	26 x 26 x 42
Net Weight, approximate (lbs.).....	298

The above specifications were current at the time this manual was published, but because of our policy of continuous improvement, Walter Meier reserves the right to change specifications at any time and without prior notice, without incurring obligations.

Unpacking

Contents of the Shipping Container

- 1 Sander
- 3 Table Insert Rings
- 2 Spindle Wrenches
- 1 2mm Hex Wrench
- 10 Removable Spindles
 - 1/4" x 6" Steel and Sanding Sleeve
 - 3/8" x 6" Steel and Sanding Sleeve
 - 1/2" x 6" Steel and Sanding Sleeve
 - 5/8" x 6" Steel and Sanding Sleeve
 - 3/4" x 9" Steel and Sanding Sleeve
 - 1" x 9" Rubber and Sanding Sleeve
 - 1-1/2" x 9" Rubber and Sanding Sleeve
 - 2" x 9" Rubber and Sanding Sleeve
 - 3" x 9" Rubber and Sanding Sleeve
 - 4" x 9" Rubber and Sanding Sleeve
- 1 Owner's Manual
- 1 Warranty Card



Tools Required for Assembly and Adjustments

- 1 26mm Wrench or Large Adjustable Wrench
- 1 6mm Hex Wrench
- 1 Square

⚠WARNING Read and understand the entire contents of this manual before attempting assembly or operation of the sander. Failure to comply may cause serious injury.

- 1. Remove all contents from shipping carton.
- 2. Report any damage to your distributor.
- 3. Do not discard any shipping material until the sander has been assembled and is running properly.
- 4. With help from another person move the sander off the pallet and into the desired position.
- 5. Remove the protective coating found on the table using a soft rag and a cleaning solvent that will not damage painted surfaces.

Note: Now is a perfect time to set your sander up on a mobile base. It will make life easier in the woodshop. A JET Heavy Duty Universal Mobile Base is available to fit this sander. JET also has a variety of Dust Collectors and Air Filtration Units that will work nicely with your new sander. Visit waltermeier.com or contact your JET distributor for options.



Mounting Sanding Sleeves

1. Thoroughly clean the arbors (A, Figure 1) on all of the spindle assemblies. Also clean the arbor housing on the sander.
2. Slip the sanding sleeve (B, Figure 1) over the spindle and hold in place by tightening the set screw (C, Figure 1) with the supplied 2mm hex wrench.
3. Repeat for all of the steel spindle assemblies.
4. To protect the sanding assemblies, place them in the holders found on the sides of the sander. See Figure 2.

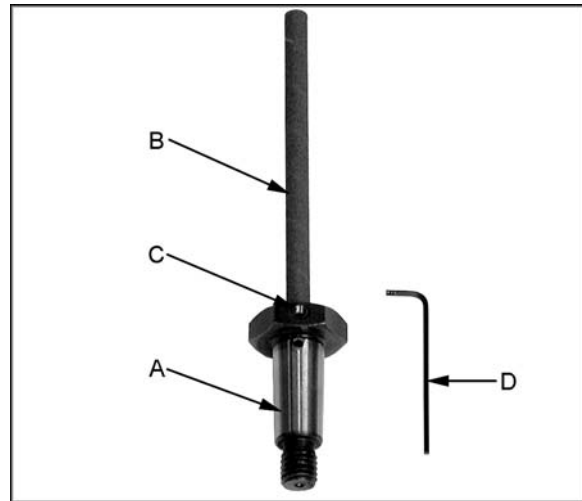


Figure 1

Installing Sanding Assemblies

⚠WARNING Disconnect the sander from the power source when installing or removing sanding assemblies. Failure to comply may cause serious injury.

1. Thoroughly clean the arbor and arbor housing before installing the sanding assemblies.
2. Thread the arbor (A, Figure 3) into the arbor housing (B, Figure 3).
3. Use the provided wrenches to hold the lower arbor housing nut (C, Figure 3) while turning the arbor nut (D, Figure 3) clockwise.



Figure 2

Removing Sanding Assemblies

1. Disconnect the sander from the power source, unplug.
2. Use the provided wrenches to hold the upper arbor housing nut (E, Figure 3) while turning the arbor nut (D, Figure 3) counter-clockwise.

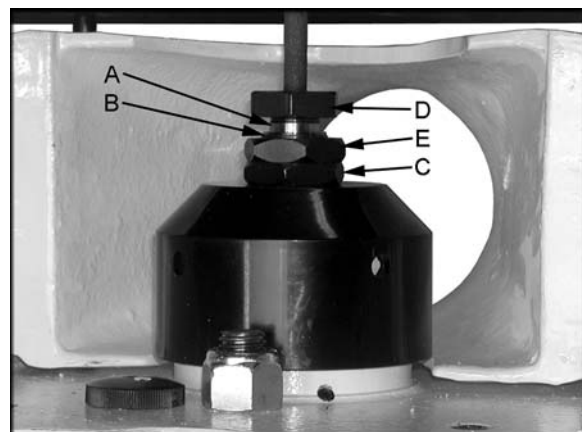


Figure 3

Table Insert

1. Disconnect the sander from the power source, unplug.
2. Choose the insert (A, Figure 4) that most closely matches the diameter of the sanding drum.
3. Line up the notch in the insert with the spring pin in the table (B, Figure 4), and press in place.
4. Remove the insert by pressing up from underneath. Note: Keep the opening in the table clean so that the insert can be easily put in place, and removed.

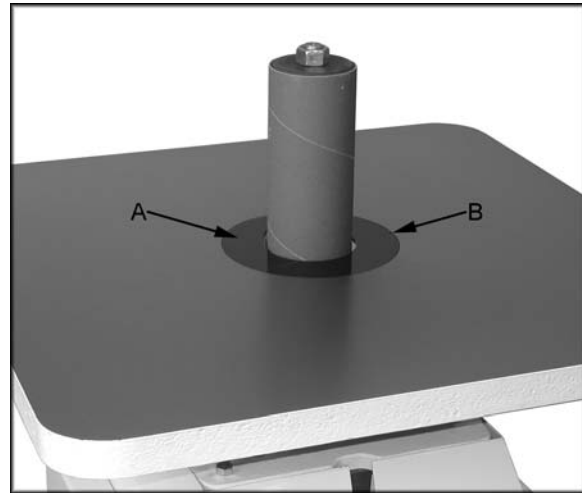


Figure 4

Sanding Assembly 90° to Table

1. Loosen the lock knobs (C, Figure 5) on the trunnions and position the table so that it rests against the 90° stop (D, Figure 6). Tighten lock knobs.
2. Place a square (E, Figure 5) on the working side of the table, and make sure the sanding drum is perpendicular to the table.
3. If an adjustment needs to be made loosen the hex nut (F, Figure 6).
4. Loosen lock knobs.
5. Rotate the 90° stop in the appropriate direction until the table rests 90° to the sanding drum.
6. Tighten the hex nut while holding the stop.
7. Adjust pointer (G, Figure 6) so that it indicates the "0" position on the scale.

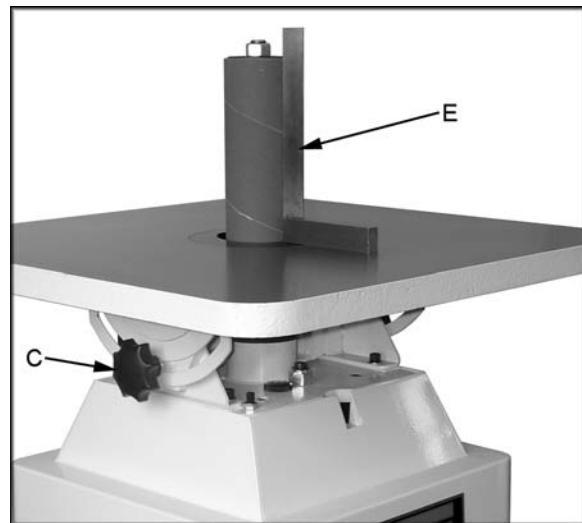


Figure 5



Figure 6

Replacing Sanding Sleeve

1. Loosen hex nut (A, Figure 7) with a 26mm wrench, or large adjustable wrench.
2. Slide the sanding sleeve (B, Figure 7) off the drum and replace with a new sanding sleeve. **Note:** If the sanding sleeve is not easily removed, cut the sleeve off and clean the drum before reinstalling a new sleeve.
3. If you are replacing the sanding sleeves on the steel spindles, loosen the set screw found on the arbor nut.
4. Remove sanding sleeve from the spindle and replace with a new sanding sleeve. **Note:** If the sanding sleeve is not easily removed, cut the sleeve off and clean the drum before reinstalling a new sleeve.
5. Tighten the set screw.

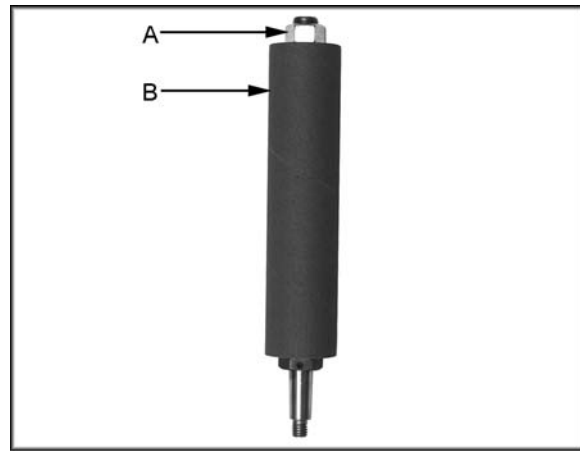


Figure 7

Dust Collection

In order to collect wood dust, attach a dust collection hose to the dust port. A variety of JET dust collectors, air filtration units, hoses and adaptors, etc. are available that will work effectively with your new sander. Contact your local JET Distributor for more information.

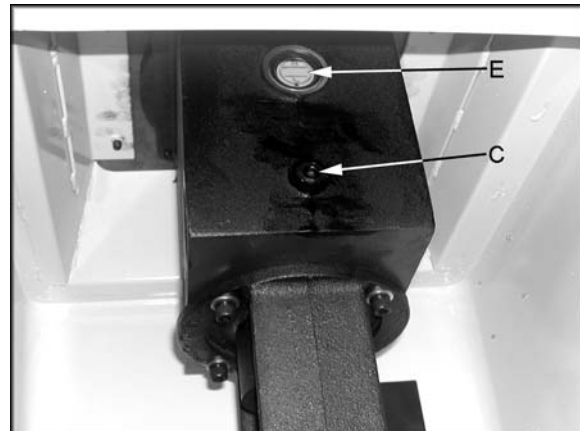


Figure 8

Maintenance

The manufacturer recommends replacing the 90 SAE gear lube at 800 hours of use.

1. Open the door on the back side of the machine to access the drain plug (C, Figure 8). Use a 6mm hex wrench to remove the drain plug.
2. Refill oil through the oil cap (D, Figure 9). The oil capacity is two quarts.
3. The oil sight glass (E, Figure 8) should read between the “high” and “low” marks.

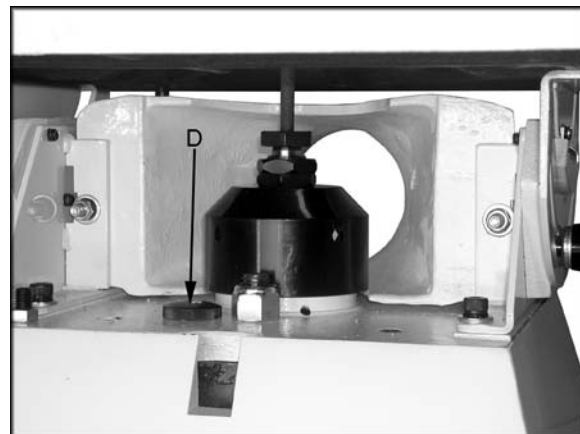


Figure 9

Keep the machine and all attachments clean.

All bearings are permanently lubricated and require no further service.

Troubleshooting

Trouble	Probable Cause	Remedy
Sander will not start.	Sander unplugged from wall or motor.	Check all plug connections.
	Fuse blown, or circuit breaker tripped in service panel.	Replace fuse, or reset circuit breaker.
	Cord damaged.	Replace cord.
	Starting capacitor bad.	Replace starting capacitor.
Sanding drum does not come up to speed.	Extension cord too light or too long.	Replace with adequate size and length cord.
	Low current.	Contact a qualified electrician.
Machine vibrates excessively.	Stand or base on uneven surface.	Adjust stand or base so that it rests evenly on the floor.
Sanded edge not square.	Table not square to sanding drum.	Use a square to adjust table to sanding drum.
Sanding marks on wood.	Wrong grit sanding sleeve.	Use coarser grit for stock removal and fine grit for finish sanding.
	Feed pressure too great.	Never force workpiece.

Replacement Parts

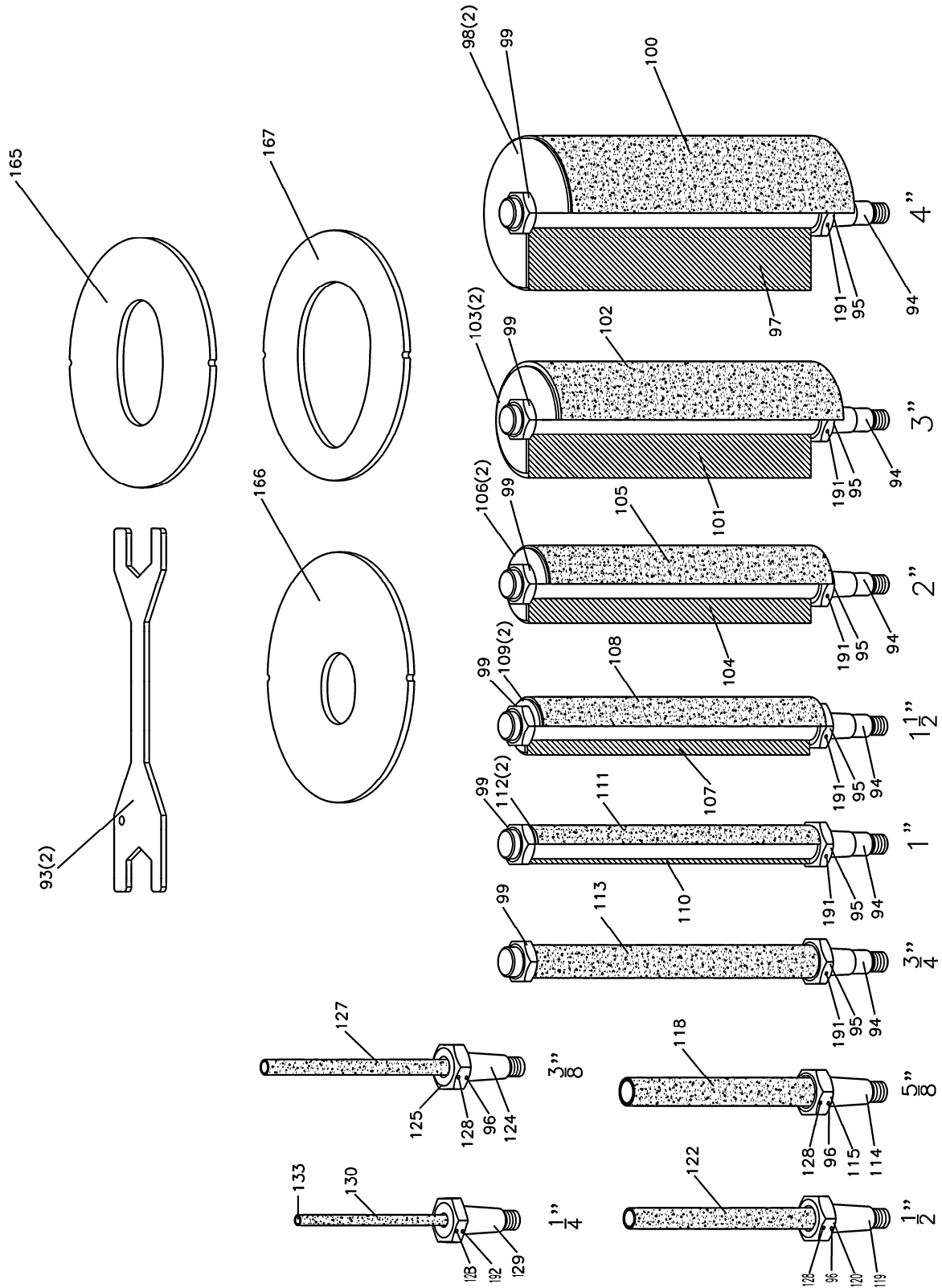
Replacement parts are listed on the following pages. To order parts or reach our service department, call 1-800-274-6848, Monday through Friday (see our website for business hours, www.waltermeier.com). Having the Model Number and Serial Number of your machine available when you call will allow us to serve you quickly and accurately.

Parts List for the JOVS-10 Oscillating Spindle Sander

Index No.	Part No.	Description	Size	Qty
7	OVS10-007	Power Cord		1
11	KEY5525	Key		1
18	OVS10-18	Oil Indicator		1
20	OS-30628	Oil Seal		1
21	BB-6206ZZ	Ball Bearing	6206ZZ	1
22	OVS10-022	C-Ring	RA63	1
22A	OVS10-022A	C-Ring	RA62	1
26	OVS10-026	Sleeve		1
27	OVS10-027	Guide Rail Shaft		1
28	BB-6205ZZ	Ball Bearing	6205LU	2
29	OVS10-029	Locking Nut		1
30	OVS10-030	Worm		1
31	OVS10-031	Spring Pin	5x30 mm	1
32	OVS10-032	Main Shaft		1
33	KEY5550	Key	5x5x50 mm	1
34	OVS10-034	Set Screw	M3x12	2
35	OVS10-035	Spur Gear		1
36	OVS10-036	Brass Bushing		2
37	TS-0208061	Socket Head Cap Screw	5/16"-18x1"	16
38	OVS10-038	Transmission Rod Shaft		2
39	OVS10-039	Transmission Rod		2
40	TS-0640091	Hex Nut, Nylon Lock	3/8"-16	4
47	OVS10-047	Switch Cord		1
52	OVS10-052	Locking Nut	5/8"-11	1
55	OVS10-055	Rear Trunnion Bracket		2
56	TS-0208082	Socket Head Cap Screw	5/16"-24x1-1/2"	10
64	OVS10-064	Oil Lid		1
66	OVS10-066	Hex Socket Cap Screw	3/8"-16x3/4"	4
67	TS-0680042	Flat Washer	3/8"	8
86	OVS10-086	Angle Pointer		1
87	OVS10-087	Pan Head Machine Screw	10-24x1/4"	1
88	OVS10-088	Cap		1
89	OVS10-089	Nut	15/16"-24 R.H.	2
134	JOVS10-134	Oil Plug	PT1/4"	1
135	JOVS10-135	Brass Bushing Bracket		1
136	JOVS10-136	Shaft Brass Bushing		4
137	JOVS10-137	Knob	5/16"-18x3/4"	1
139	JOVS10-139W	Bracket Base		2
140	TS-0680032	Flat Washer	5/16"	24
141	TS-0051021	Cap Screw	5/16"-18x5/8"	6
142	JOVS10-142	Switch Box		1
143	JOVS10-143	Pan Head Machine Screw	3/16"-24x1-1/2"	2
143A	JOVS10-143A	Hex Nut	3/16"-24	2
144	JOVS10-144W	Vent Cover		1
145	JOVS10-145W	Base		1
146	JOVS10-146	Motor Bracket		1
147	JOVS10-147	Motor		1
	JOVS10-147MF	Motor Fan (not shown)		1
	JOVS10-147MFC	Motor Fan Cover (not shown)		1
	JOVS10-147CC	Capacitor Cover (not shown)		1
	JOVS10-147RC	Running Capacitor (not shown)	45uf, 250V	1
	JOVS10-147SC	Starting Capacitor (not shown)	300MFD, 125VAC	1
148	JOVS10-148	Strain Relief Bushing		1
149	TS-0720081	Lock Washer	5/16"	20
151	JOVS10-151	Coupling Head		1
152	JOVS10-152	Tank		1
153	TS-0267041	Set Screw	1/4"-20x3/8"	2

Index No.	Part No.	Description	Size	Qty
154	JOVS10-154	Tank Lid		1
155	JOVS10-155	Switch Push Button		1
156	JOVS10-156W	Sanding Assembly Rack		2
158	JOVS10-158W	Rear Trunnion		2
159	JOVS10-159	Locking Knob	3/8"-16x3/4"	2
160	JOVS10-160W	Dust Cover		1
161	TS-0051061	Hex Bolt	5/16"-18x1-1/4"	2
162	TS-0561021	Hex Nut	5/16"-18	6
163	JOVS10-163W	Working Table		1
164	JOVS10-164	Scale		1
169	JOVS10-169	Fixed Rod		1
170	TS-0561031	Hex Nut	3/8"-16	2
171	JOVS10-171	Rubber Feet		4
172	JOVS10-172	Sinking Head Screw	5/16"-18x3/4"	4
174	JOVS10-174	JET Logo		1
177	JOVS10-177	Pan Head Screw	3/16"-24x3/8"	2
178	JOVS10-178	Switch		1
179	JOVS10-179	Spring Pin	3x22 mm	1
180	JOVS10-180	Fiber Washer	3/8"	2
181	TS-0720091	Lock Washer	3/8"	4
182	TS-0271071	Set Screw	3/8"-16x3/4"	1
183	JOVS10-183	Warning Label		1
184	JOVS10-184	I.D Label		1
185	JOVS10-185	Motor Label		1
186	JOVS10-186	Rivet		4
187	TS-0267041	Set Screw	1/4"-20x3/8"	1
188	JOVS10-188	Star Washer	3/16"	2
189	TS-0680011	Flat Washer	3/16"	1
190	TS-0267021	Set Screw	1/4"-20x1/4"	4

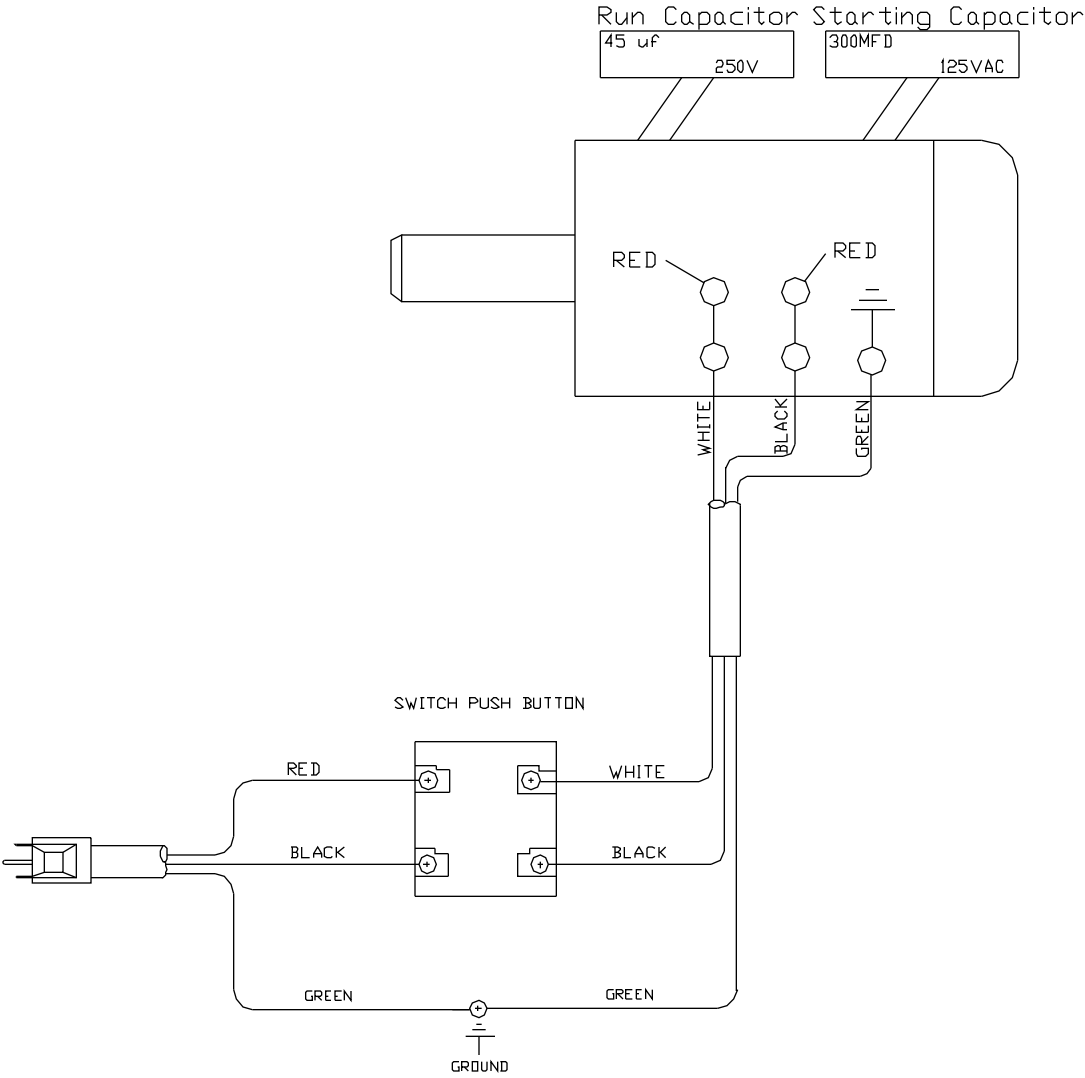
Sanding Assemblies



Parts List for Sanding Assemblies

Index No.	Part No.	Description	Size	Qty
93	OVS10-093	Wrench		2
94	OVS10-094A	Arbor	3/4"	6
95	OVS10-095	Hex Nut		6
96	OVS10-096	Spring Pin	3.5x25 mm	3
97	30105000J	Spindle Assembly	4"	1
98	OVS10-098	Washer	4"	2
99	OVS10-099	Nut	3/4"-16"	6
100	575951	Sanding Sleeve (60 Grit) – 4 pack	4" x 9"	
	575953	Sanding Sleeve (100 Grit) – 4 pack	4" x 9"	
	575954	Sanding Sleeve (150 Grit) – 4 pack	4" x 9"	
101	30105000I	Spindle Assembly	3"	1
102	575946	Sanding Sleeve (60 Grit) – 4 pack	3" x 9"	
	575948	Sanding Sleeve (100 Grit) – 4 pack	3" x 9"	
	575949	Sanding Sleeve (150 Grit) – 4 pack	3" x 9"	
103	OVS10-103	Washer	3"	2
104	30105000H	Spindle Assembly	2"	1
105	575936	Sanding Sleeve (60 Grit) – 4 pack	2" x 9"	
	575938	Sanding Sleeve (100 Grit) – 4 pack	2" x 9"	
	575939	Sanding Sleeve (150 Grit) – 4 pack	2" x 9"	
106	OVS10-106	Washer	2"	2
107	30105000G	Spindle Assembly	1-1/2"	1
108	575926	Sanding Sleeve (60 Grit) – 4 pack	1-1/2" x 9"	
	575928	Sanding Sleeve (100 Grit) – 4 pack	1-1/2" x 9"	
	575929	Sanding Sleeve (150 Grit) – 4 pack	1-1/2" x 9"	
109	OVS10-109	Washer	1-1/2"	2
110	30105000F	Spindle Assembly	1"	1
111	575916	Sanding Sleeve (60 Grit) – 4 pack	1" x 9"	
	575918	Sanding Sleeve (100 Grit) – 4 pack	1" x 9"	
	575919	Sanding Sleeve (150 Grit) – 4 pack	1" x 9"	
112	OVS10-112	Washer	1"	2
113	575911	Sanding Sleeve (60 Grit) – 4 pack	3/4" x 9"	
	575913	Sanding Sleeve (100 Grit) – 4 pack	3/4" x 9"	
	575914	Sanding Sleeve (150 Grit) – 4 pack	3/4" x 9"	
114	OVS10-114A	Arbor	5/8"	1
115	OVS10-115	Hex Nut	5/8"	1
118	575906	Sanding Sleeve (60 Grit) – 4 pack	5/8" x 6"	
	575908	Sanding Sleeve (100 Grit) – 4 pack	5/8" x 6"	
	575909	Sanding Sleeve (150 Grit) – 4 pack	5/8" x 6"	
119	OVS10-119A	Arbor	1/2"	1
120	OVS10-120	Hex Nut	1/2"	1
122	575901	Sanding Sleeve (60 Grit) – 4 pack	1/2" x 6"	
	575903	Sanding Sleeve (100 Grit) – 4 pack	1/2" x 6"	
	575904	Sanding Sleeve (150 Grit) – 4 pack	1/2" x 6"	
124	OVS10-124A	Arbor	3/8"	1
125	OVS10-125	Hex Nut	3/8"	1
127	575896	Sanding Sleeve (60 Grit) – 4 pack	3/8" x 6"	
	575898	Sanding Sleeve (100 Grit) – 4 pack	3/8" x 6"	
	575899	Sanding Sleeve (150 Grit) – 4 pack	3/8" x 6"	
128	OVS10-117	Set Screw	3/16"-24x1/4"	4
129	OVS10-129	Arbor		1
130	575891	Sanding Sleeve (60 Grit) – 4 pack	1/4" x 6"	
	575893	Sanding Sleeve (100 Grit) – 4 pack	1/4" x 6"	
	575894	Sanding Sleeve (150 Grit) – 4 pack	1/4" x 6"	
133	OVS10-133A	Spindle		1
165	JOVS10-165	Table Insert (Medium)		1
166	JOVS10-166	Table Insert (Small)		1
167	JOVS10-167	Table Insert (Large)		1
191	JOVS10-191	Spring Pin	5x25 mm	6
192	JOVS10-192	Spring Pin	3x25 mm	1

Electrical Connections





WALTER MEIER (Manufacturing) Inc.

427 New Sanford Road
LaVergne, Tennessee 37086
Phone: 800-274-6848
www.waltermeier.com