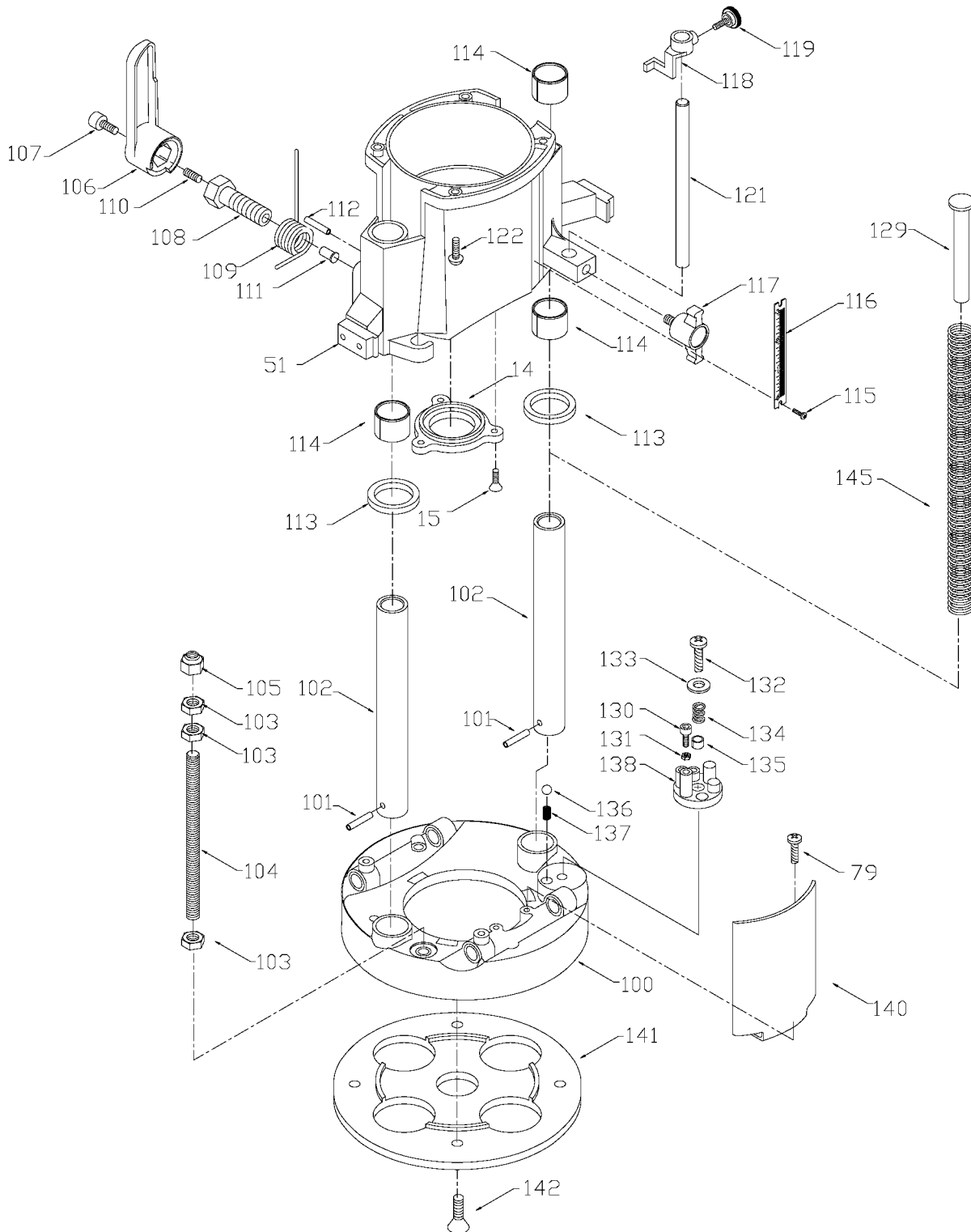


# PORTER-CABLE

## PLUNGE ROUTER

WARNING: Electrical repairs should only be attempted by trained repairmen. Contact the nearest Porter-Cable Service Center or other competent repair center.

7538



## Parts List for 7538 Type 2

Item Number	Part Number	Description	Qty Required
1	875931	FAN	1
1	873638	ARMATURE	1
2	873637	FIELD	1
3	N031634	BRUSH	2
3	698844	BRUSH HOLDER	2
4	876774	SWITCH	1
5	825713	115V CORD	1
6	698874	BRUSH INSULATOR	2
7	698872	SPRING	2
8	882703	SCREW	10
9	5140102-22	SOFT START MODULE	1
10	852310	SCREW	10
11	146555-01	BEARING, BALL	1
11	330003-75	BEARING, BALL	1
12	A22811	SWITCH	1
14	698811	BRG RETAINER	1
15	849819	SCREW	10
51	877480	MOTOR FRAME	1
52	A22557	HOUSING	1
52	891036	COVER T3	1
56	5140071-52	HANDLE MOUNT	2
57	885318	HANDLE SET R.H.	1
57	698847	HANDLE SET-LH	1
78	879678	SCREW	10
79	850596	SCREW	10
80	872766	SPRING-STRAIN RELVR	1
81	859069	PLUG	1

COPYRIGHT© 2005. All Rights Reserved.

Parts list, pricing, and availability subject to change. Please visit [www.dewaltservicenetwork.com](http://www.dewaltservicenetwork.com) for current parts information.

## Parts List for 7538 Type 2

Item Number	Part Number	Description	Qty Required
83	698807	CHUCK	1
83	42950	1/2 INCH COLLET ASSY	1
84	698822	LEAD	1
85	000000-00	No Longer Available	1
86	698834	LEAD	1
87	695620	SEAL	1
88	892778	SCREW	10
89	000000-00	No Longer Available	10
90	872519	SCREW	10
91	882703	SCREW	10
94	899411	SCREW	10
95	872534	WASHER	10
96	874845	BUSHING KIT	1
97	698875	TRIAC ENCLOSURE	1
100	A23863	BASE & COLUMN ASSY	1
101	873311	ROLLED PIN	10
102	698827	COLUMN	2
103	800190	NUT	3
104	698842	ROD-UPSTART	1
105	698835	LOCK NUT	1
106	892552	LEVER	1
107	872242	SCREW	1
108	699675	CLAMP SCREW	1
109	892531	SPRING SS/A	1
110	699563	SET SCREW	1
111	699552	CLAMP PLUG	1
112	872729	ROLLED PIN	1

COPYRIGHT© 2005. All Rights Reserved.

Parts list, pricing, and availability subject to change. Please visit [www.dewaltservicenet.com](http://www.dewaltservicenet.com) for current parts information.

## Parts List for 7538 Type 2

Item Number	Part Number	Description	Qty Required
113	865090	SEAL	1
114	698814	BUSHING	1
115	873499	SCREW	10
116	698899	SCALE	1
117	897162	KNOB	1
118	699988	POINTER	1
119	882054	THUMB SCREW	1
121	699991	DEPTH ROD	1
122	872520	SCREW	4
129	899725	INSERT,SPRING	1
130	872659	SCREW	10
131	862641	NUT	10
132	800191	SCREW	10
133	685533	WASHER	10
134	850552	SPRING	1
135	895591	WASHER	1
136	860687	BALL	1
137	693848	SPRING	1
138	698805	TURRET	1
140	872762	SHIELD	1
141	000000-00	No Longer Available	1
142	800539	SCREW	10
145	698829	SPRING	1
183	802648	WASHER	10
184	848148	SCREW	10
185	000000-00	No Longer Available	1
185	849314	TERM	2

COPYRIGHT© 2005. All Rights Reserved.

Parts list, pricing, and availability subject to change. Please visit [www.dewaltservicenet.com](http://www.dewaltservicenet.com) for current parts information.

## Parts List for 7538 Type 2

Item Number	Part Number	Description	Qty Required
856	A22709	OPEN-END WRENCH	1
856	A22709	OPEN-END WRENCH	1
856	689032	CONNECTOR	1

COPYRIGHT© 2005. All Rights Reserved.

Parts list, pricing, and availability subject to change. Please visit [www.dewaltservicenet.com](http://www.dewaltservicenet.com) for current parts information.