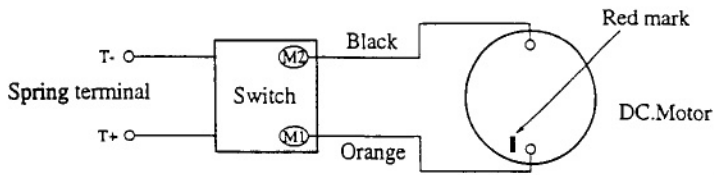




# CORDLESS PERCUSSION-DRIVER DRILL

Model 8443D  
Model 8443DWDE

## Wiring Diagram



**IMPORTANT** - To assure product **SAFETY** and **RELIABILITY**, repairs, maintenance or adjustments should be performed by **MAKITA** Service Centers or other qualified service organizations. Always use **MAKITA** replacement parts.

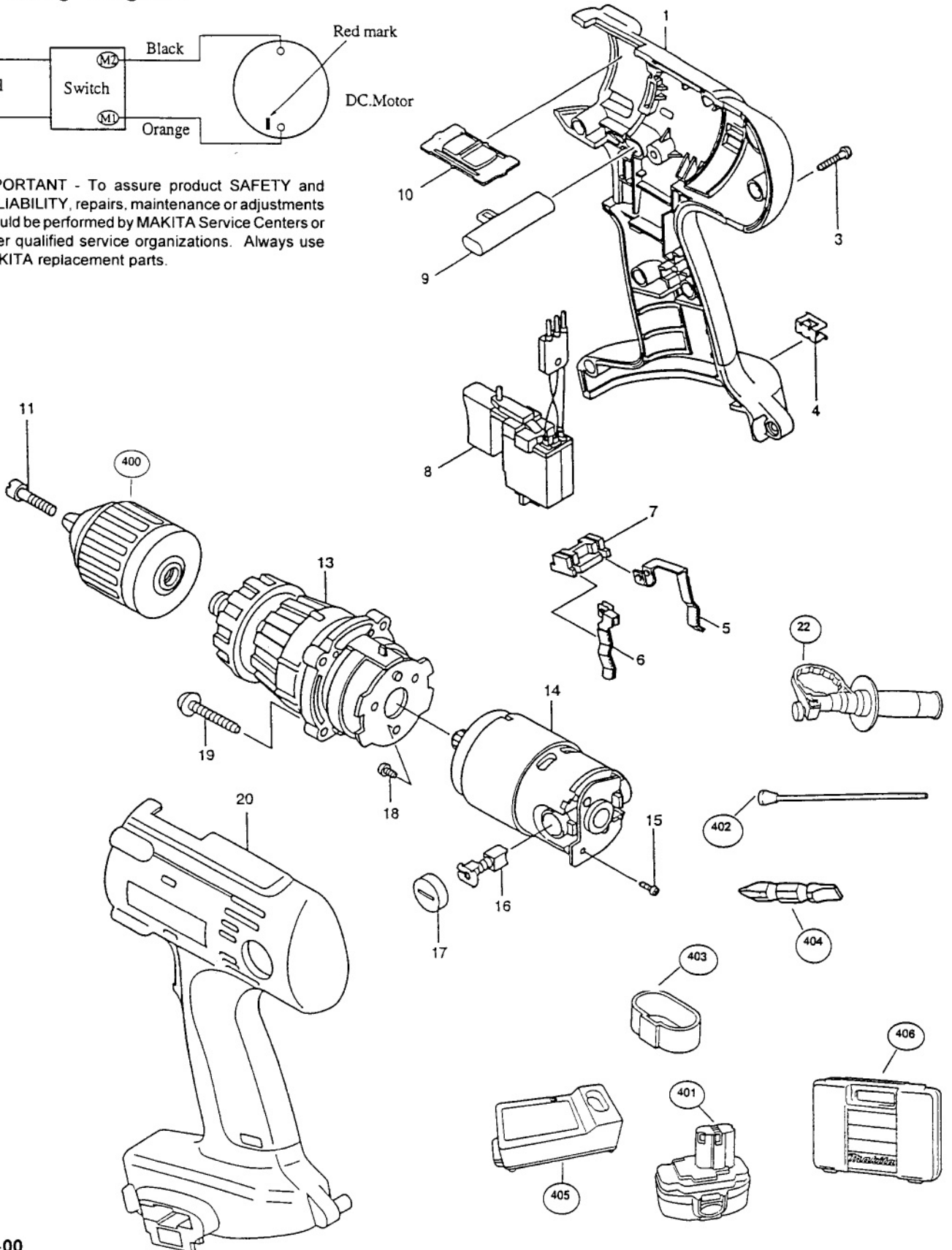


Fig.	Part No.	Qty. Used	Description	Fig.	Part No.	Qty. Used	Description
1	183202-4	1	HOUSING SET (Incl. Fig. 20)	16	191971-3	1	CARBON BRUSH CB-430 Set
3	266130-9	8	T. SCREW BIND PT 3x16	17	643954-4	2	HOLDER CAP
4	344391-2	2	BIT HOLDER	18	266134-1	3	TAPPING SCREW ST 4x8
5	654168-0	1	SPRING TERMINAL (+)	19	265999-8	4	TAPPING SCREW 4x25
6	654169-8	1	SPRING TERMINAL (-)	20	183202-4	1	HOUSING SET (Incl. Fig. 1)
7	687085-9	1	HOLDER	22	122575-0	1	GRIP ASS'Y
8	651968-9	1	SWITCH C3LA-1A	<b><u>ACCESSORIES</u></b>			
9	416079-5	1	F/R CHANGE LEVER	400	193065-0	1	KEYLESS DRILL CHUCK 13
10	125091-1	1	SPEED CHANGE LEVER ASS'Y	401	193159-1	2	NIMH BATTERY 1834 18V
11	251465-1	1	F.H. SCREW M6x32	402	122576-8	1	STOPPER POLE
13	125099-5	1	GEAR ASS'Y (Incl. 416629-6 Change Lever)	403	414938-7	2	BATTERY COVER
14	629729-5	1	DC MOTOR 18V (Incl. 226361-2 Spur Gear 20, & Fig. 16, 17)	404	784614-0	2	PHILLIPS/SLOTTED BIT 2-45
15	911006-2	1	P.H. SCREW M3x8	405	DC1801	1	FAST CHARGER
				406	824546-0	1	PLASTIC CARRYING CASE

2 Model 8443D  
Model 8443DWDE

04-00