

SERVICE PARTS LIST

BULLETIN NO.
54-05-0750

SPECIFY CATALOG NO. AND SERIAL NO. WHEN ORDERING PARTS		REVISED BULLETIN	DATE
WET/DRY VACUUM CLEANER			Jan. 2001
CATALOG NO.	8927	STARTING SERIAL NO.	873A
			WIRING INSTRUCTION SEE REVERSE SIDE

EXAMPLE:

Component Parts (Small #) Are Included When Ordering The Assembly (Large #).

FIG.	PART NO.	DESCRIPTION OF PART	NO. REQ.
1	23-30-0100	2 Stage Motor	(1)
2	45-88-8676	#12 Flat Washer	(2)
3	06-81-1850	10-32 x .31 Screw	(1)
4	43-44-1015	Motor Gasket	(2)

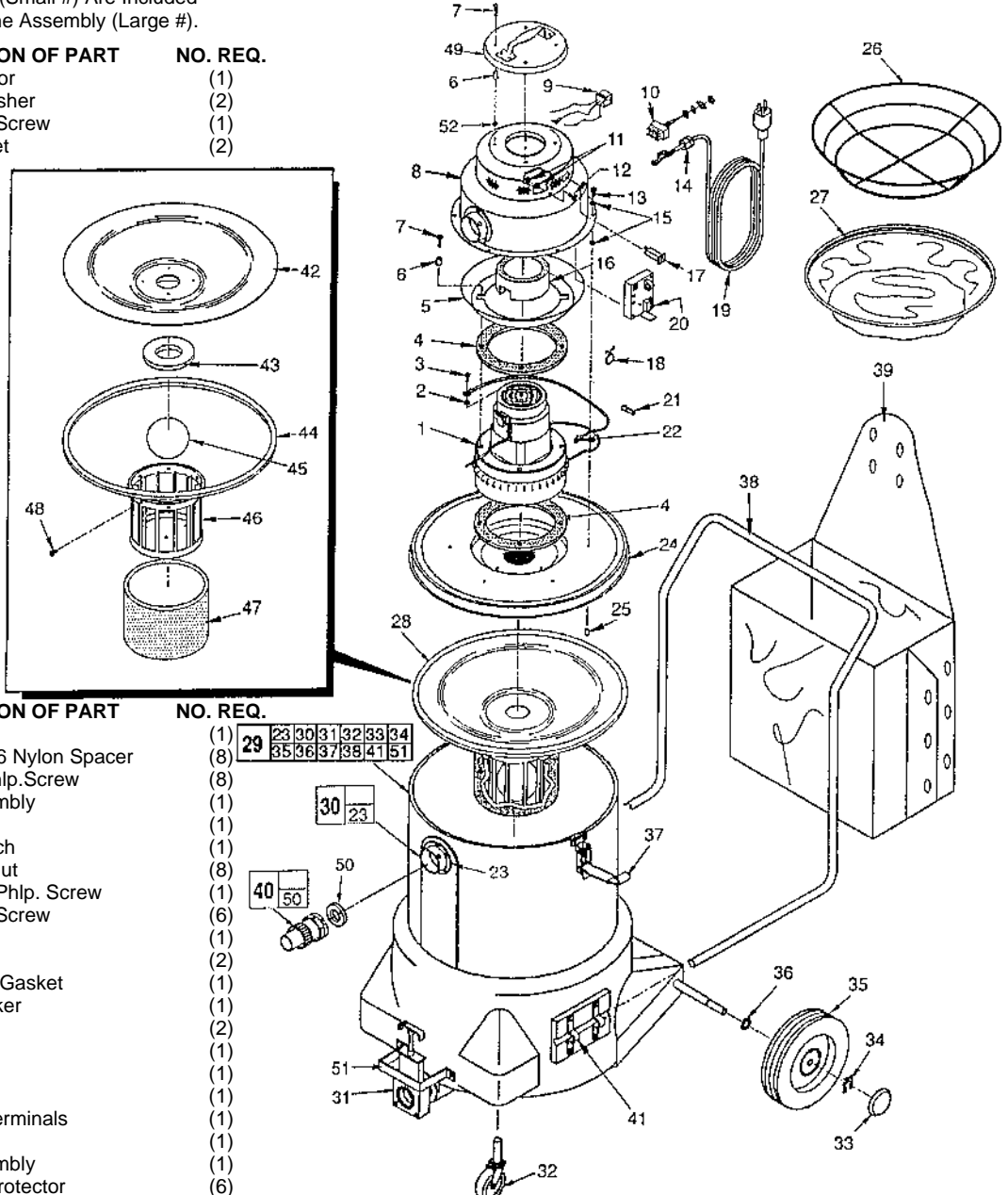


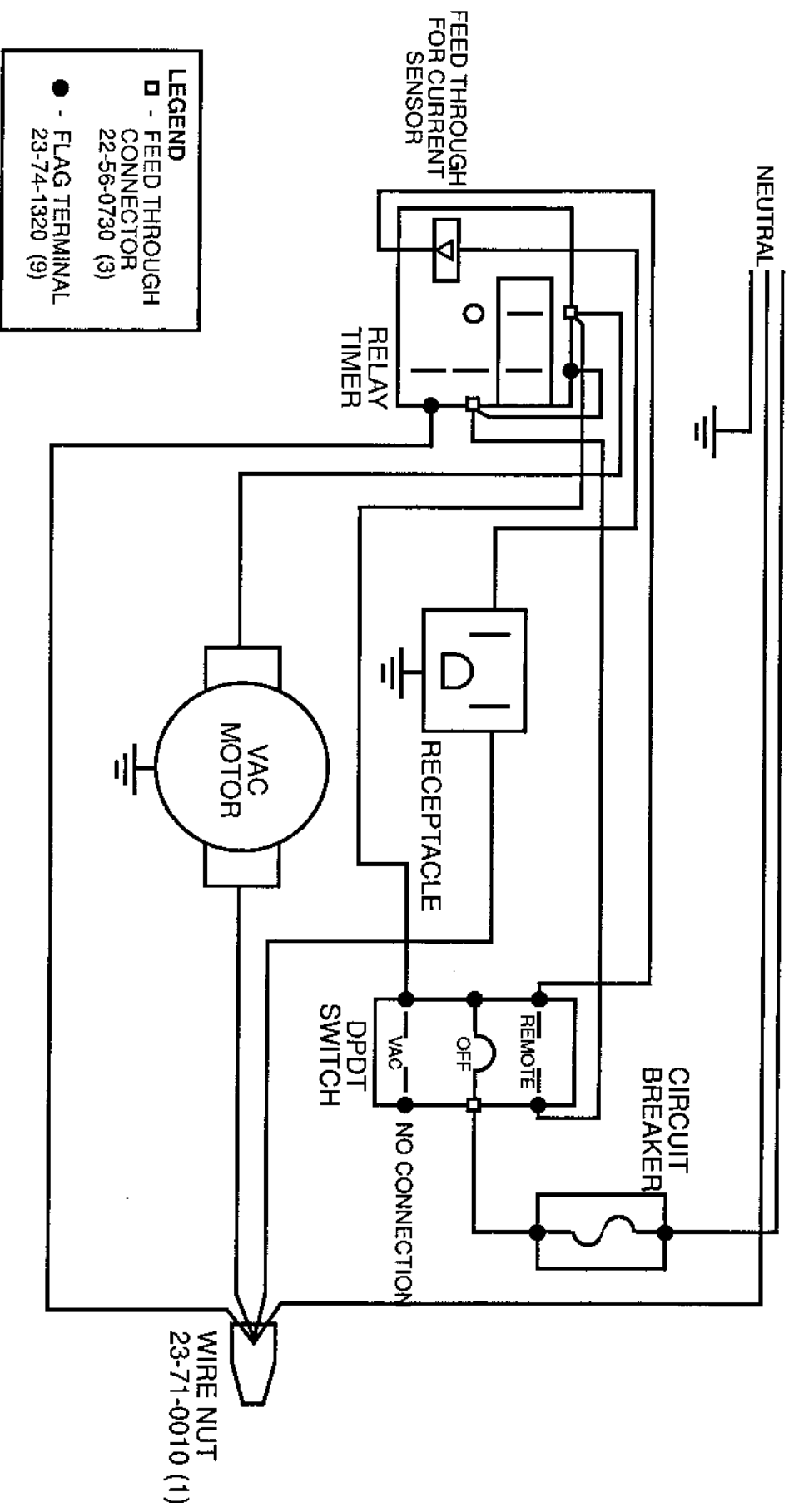
FIG.	PART NO.	DESCRIPTION OF PART	NO. REQ.
5	42-04-3590	Baffle	(1)
6	45-88-8700	.37 Dia. x .56 Nylon Spacer	(8)
7	06-81-1825	10-24 x 1 Phlp.Screw	(8)
8	42-92-1050	Dome Assembly	(1)
9	23-33-0220	Receptacle	(1)
10	23-66-2510	Toggle Switch	(1)
11	06-55-3800	10-24 Hex Nut	(8)
12	06-81-1812	10-24 x .75 Phlp. Screw	(1)
13	06-81-1815	12-14 x .50 Screw	(6)
14	44-76-0020	Strain Relief	(1)
15	45-88-8680	Lockwasher	(2)
16	43-44-1020	Motor Wrap Gasket	(1)
17	22-36-0155	Circuit Breaker	(1)
18	22-38-0170	Wire Tie	(2)
19	22-64-0700	Cord	(1)
20	23-38-0145	Relay	(1)
21	23-71-0010	Wire Nut	(1)
22	23-74-1275	Lead with Terminals	(1)
23	43-44-0370	Gasket	(1)
24	42-92-0270	Cover Assembly	(1)
25	44-76-0275	Screw Tip Protector	(6)
26	49-90-0275	Filter Frame	(1)
27	49-90-0265	Cloth Filter	(1)
28	49-90-1640	Wet Pickup Conversion Pan	(1)
29	42-51-0425	Tank Assembly	(1)
30	42-86-0080	Inlet Connector Assembly	(1)
31	45-80-0225	Valve Assembly	(1)
32	45-94-0370	Swivel Caster	(2)
33	42-52-0220	Hub Cap	(2)
34	45-88-8685	Washer	(2)
35	45-94-0375	Wheel	(2)
36	45-88-8690	Wave Washer	(2)
37	42-68-0291	Holddown Clamp	(3)
38	43-62-1120	Push Handle	(1)
39	49-90-0295	Tool Caddy	(1)
40	49-90-0150	Swivel Hose Connector	(1)
41	42-36-1795	Handle Bracket	(4)
42	44-54-4000	Conversion Pan Adaptor	(1)
43	43-44-4000	Shut Off Gasket	(1)
44	43-44-0330	Gasket	(1)
45	42-46-0170	Float Ball	(1)

FIG.	PART NO.	DESCRIPTION OF PART	NO. REQ.
46	42-46-0160	Float Cage	(1)
47	49-90-1820	Foam Sleeve	(1)
48	06-81-1900	#10 Screw	(2)
49	44-66-6175	Dome Cap Assembly	(1)
50	43-44-0275	Gasket	(1)
51	42-36-1810	Valve Bracket	(1)
52	45-88-8695	.37 Dia. x .18 Nylon Spacer	(4)
53	06-81-1830	10-24 x 1.75 Phlp. Sc. (Not Shown)	(1)
	22-18-0435	Brush And Brush Holder (Set)	(1)
	49-90-0351	Paper Filter (5 Pack)	(1)
	10-20-8900	Warning Label	(1)
	10-20-8910	Switch Label	(1)
	10-20-8920	Receptacle Label	(1)
	10-20-8930	Circuit Breaker Label	(1)
	12-20-8900	Service Nameplate Kit	(1)
	10-05-5050	Conversion Label	(1)

MILWAUKEE ELECTRIC TOOL CORPORATION
13135 W. LISBON RD., BROOKFIELD, WI 53005
Drwg. 2

WIRING SCHEMATIC

8924, 8927



LEGEND

- - FEED THROUGH CONNECTOR 22-56-0730 (3)
- - FLAG TERMINAL 23-74-1320 (9)