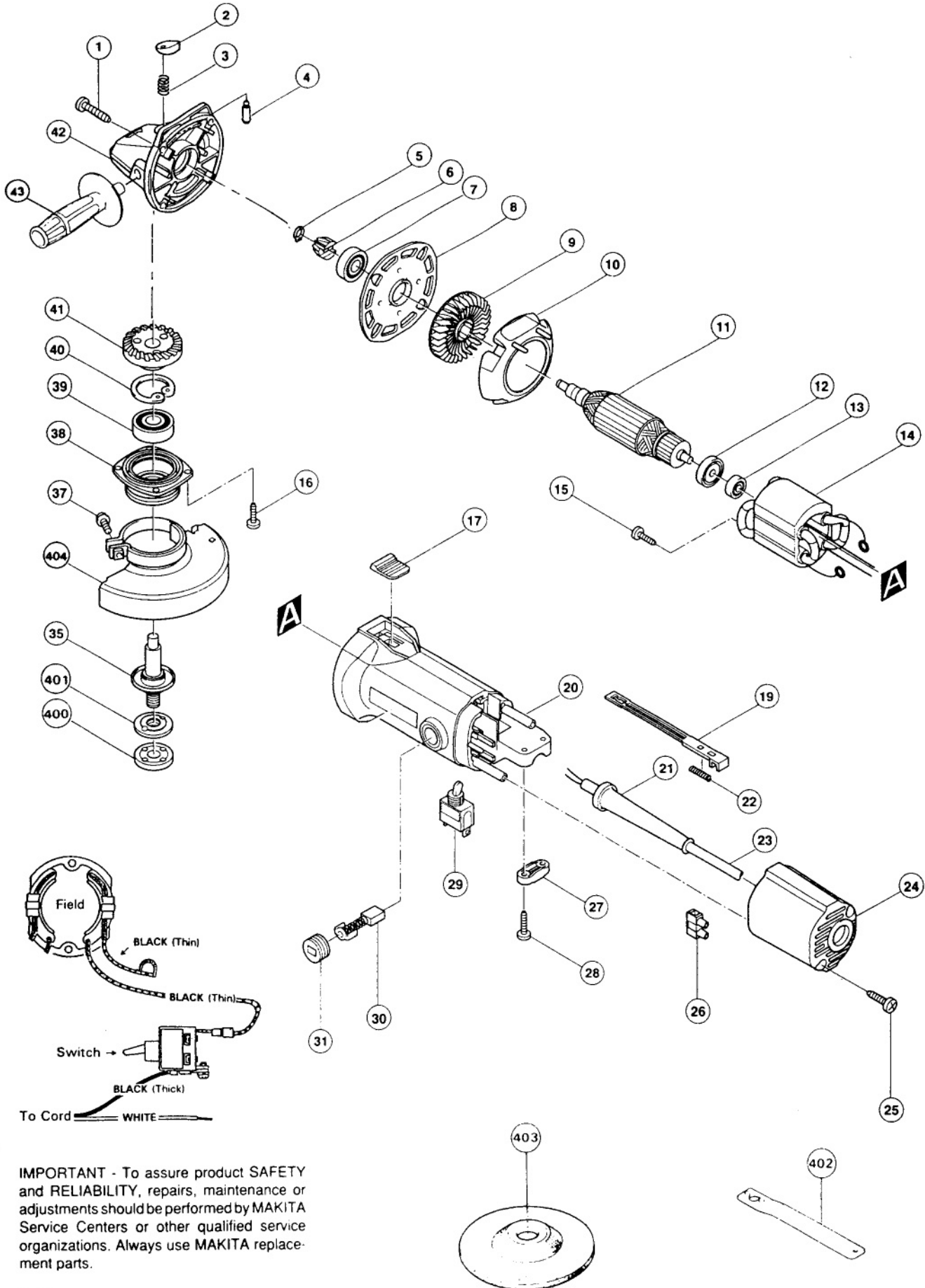




# 4" (100mm) ANGLE GRINDER

Model 9523NBH



**IMPORTANT** - To assure product **SAFETY** and **RELIABILITY**, repairs, maintenance or adjustments should be performed by **MAKITA** Service Centers or other qualified service organizations. Always use **MAKITA** replacement parts.

Fig.	Part No.	Qty. Used	Description	Fig.	Part No.	Qty. Used	Description
1	266041-8	4	TAPPING SCREW 5x25	23	664013-1	1	CORD (2x18x8 SJT)
2	415491-6	1	PIN CAP	24	415955-0	1	REAR COVER
3	233072-2	1	COMPRESSION SPRING 8	25	265995-6	2	TAPPING SCREW 4x18
4	256437-1	1	PIN 4	26	654532-5	1	TERMINAL BLOCK
5	961002-0	1	RETAINING RING S-6	27	687063-9	1	STRAIN RELIEF
6	226733-1	1	SPIRAL BEVEL GEAR 11	28	265995-6	2	TAPPING SCREW 4x18
7	211062-5	1	BALL BEARING 600ZZ	29	651403-7	1	SWITCH
8	285684-7	1	BEARING RETAINER 52	30	191938-1	1	CARBON BRUSH CB-408 Set
9	241890-4	1	FAN 57	31	643928-5	2	HOLDER CAP
10	415954-2	1	BAFFLE PLATE	35	152608-7	1	SPINDLE cpl., (Incl. 344347-5 Labyrinth Ring)
11	517166-4	1	ARMATURE ASS'Y 115V (Incl. Fig. 12 & 13)	37	251391-4	1	P.H. SCREW M5x16
12	681638-6	1	INSULATING WASHER	38	316800-1	1	BEARING BOX
13	211012-0	1	BALL BEARING 606ZZ	39	211129-9	1	BALL BEARING 6201DDW
14	521621-0	1	FIELD ASS'Y 115V (Incl. 2 ea. 654100-4 Ring Terminal & 654501-6 Connector P-1.25)	40	962151-6	1	RETAINING RING R-32
15	266007-8	2	T. SCREW BIND PT3x10	41	226728-4	1	SPIRAL BEVEL GEAR 36
16	266034-5	4	T. SCREW CT 4x16	42	159867-4	1	GEAR HOUSING cpl.
17	415952-6	1	SWITCH KNOB	43	152490-4	1	GRIP 36 cpl.
19	415953-4	1	SWITCH LEVER	<b>ACCESSORIES</b>			
20	159866-6	1	MOTOR HOUSING cpl., (Incl. 2 ea. 643927-7 Brush Holder)	400	224545-6	1	LOCK NUT 10-35
21	682502-4	1	CORD GUARD 8-85	401	224337-3	1	INNER FLANGE 35
22	233153-2	1	COMPRESSION SPRING 4	402	782401-1	1	LOCK NUT WRENCH 20
				403	741405-2-1	1	4" GRINDING WHEEL #36
				404	165187-6	1	4" WHEEL COVER