

Type:
Part no.:

ASb 648 (60Hz,110V)
72150713115



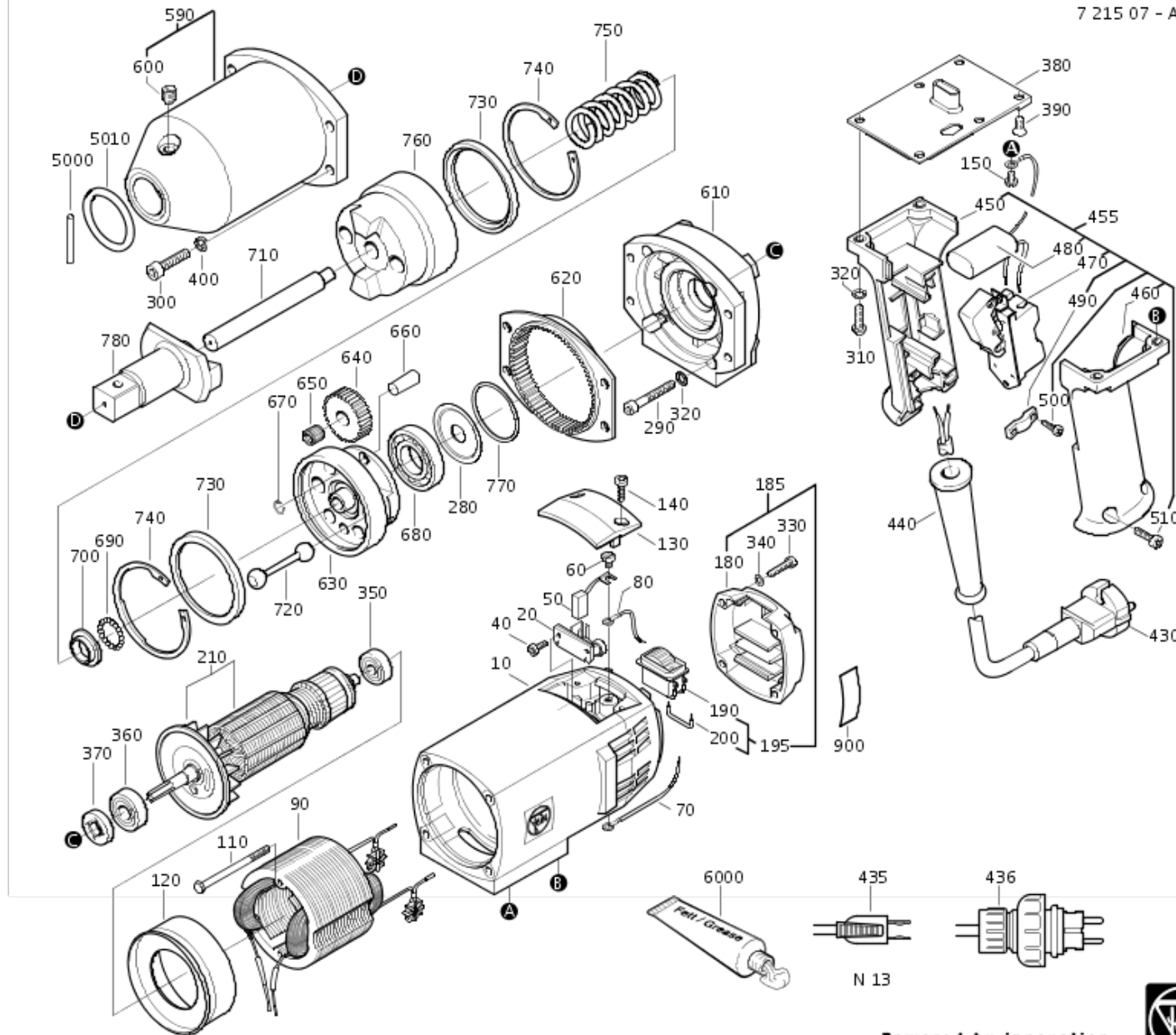
Item	Part no.	Designation	Quantity	Price RPR	AT	Country
0010	31903119003	MOTOR HOUSING	1	on req.	-	-
0020	30712067017	BRUSH HOLDER	2	on req.	-	-
0040	43041001994	FILLISTER HEAD SCREW	4	on req.	-	-
0050	30711067004	CARBON BRUSH	2	on req.	-	-
0060	43003029048	COUNTERSUNK SCREW	2	on req.	-	-
0070	30719062017	Connection cable	1	on req.	-	-
0080	30719065013	Connection cable	1	on req.	-	-
0090	51214001116	FIELD WITH WINDING	1	on req.	-	-
0110	43001004042	HEX. HEAD CAP SCREW	2	on req.	-	-
0120	31428018008	AIR CONDUCTING RING	1	on req.	-	-
0130	32427040001	COVER	2	on req.	-	-
0140	43046001002	SHEET METAL SCREW	4	on req.	-	-
0150	43003029048	COUNTERSUNK SCREW	1	on req.	-	-
0180	31207066004	HOUSING COVER	1	on req.	-	-
0185	31207066013	HOUSING COVER ASS.	1	on req.	-	-
0190	30701085006	REVERSING SWITCH	1	on req.	-	-
0195	30701085015	REVERSING SWITCH	1	on req.	-	-
0200	30719059004	Connection cable	2	on req.	-	-
0210	53214001118	ARMATURE	1	on req.	-	-
0280	32411070006	COVERING DISC	1	on req.	-	-
0290	43035020051	FILLISTER HEAD SCREW	4	on req.	-	-
0300	43035034067	FILLISTER HEAD SCREW	4	on req.	-	-
0310	43014042053	FILLISTER HEAD SCREW	4	on req.	-	-
0320	42443004057	LOCKING WASHER	8	on req.	-	-
0330	43033005047	FILLISTER HEAD SCREW	4	on req.	-	-
0340	42443003043	LOCKING WASHER	4	on req.	-	-
0350	41701204131	Groove ball bearing	1	on req.	-	-
0360	41701020130	GROOVE BALL BEARING	1	on req.	-	-
0370	30602010000	PACKING RING	1	on req.	-	-
0380	32422094005	COVERING PLATE	1	on req.	-	-
0390	43042005050	Countersunk h. screw	2	on req.	-	-
0400	42445003060	SPRING RING	4	on req.	-	-
0435	30707181014	CABLE ASS.	1	on req.	-	-
0440	31413090003	Protecting sleeve	1	on req.	-	-
0450	31204090003	Handle lower part	1	on req.	-	-
0455	31204090012	HANDLE ASS.	1	on req.	-	-
0460	31204091002	Handle upper part	1	on req.	-	-
0470	30701068003	SWITCH	1	on req.	-	-
0480	30722074009	INTERF. CAPACITOR	1	on req.	-	-
0490	32431021007	CLAMPING PIECE	1	on req.	-	-
0500	43041011993	FILLISTER HEAD SCREW	2	on req.	-	-
0510	43041023046	FILLISTER HEAD SCREW	2	on req.	-	-
0590	31508145015	FRONT HOUSING ASS.	1	on req.	-	-
0600	32131037005	LUBRICATING NIPPLE	1	on req.	-	-
0610	31506198008	Interm.Housing	1	on req.	-	-
0620	33804013003	TOOTHED RING	1	on req.	-	-
0630	30110008005	DRIVE BLOCK	1	on req.	-	-
0640	33613066007	SPUR WHEEL	2	on req.	-	-
0650	41715014007	NEEDLE CAGE	2	on req.	-	-
0660	30216054007	BOLT	2	on req.	-	-
0670	42615062007	Retainer ring	2	on req.	-	-
0680	41701604011	GROOVE BALL BEARING	1	on req.	-	-
0690	41708014001	BALL	19	on req.	-	-
0700	31710024007	THRUST RING	1	on req.	-	-

Item	Part no.	Designation	Quantity	Price RPR	AT	Country
0710	33406079008	COUNTERSHAFT	1	on req.	-	-
0720	30111006002	BALL PIVOT	2	on req.	-	-
0730	32602031002	RING	2	on req.	-	-
0740	42616019002	LOCKING RING	2	on req.	-	-
0750	30901177001	PRESSURE SPRING	1	on req.	-	-
0760	30112010004	PERCUSSION PISTON	1	on req.	-	-
0770	32624039025	WASHER	1	on req.	-	-
0770	32624039031	WASHER	1	on req.	-	-
0780	30104039008	Tool holder	1	on req.	-	-
0900	32217084019	Information lable	1	on req.	X	-
5000	30235007005	LOCKING PIN	1	on req.	-	-
5010	40612028008	O-RING SEAL	1	on req.	-	-
6000	32160003014	TUBE OF GREASE	1	on req.	-	-
9000	34101096060	Operating instruction	1	on req.	-	-
9010	34150450010	Sparepartslist ASb648	1	on req.	-	-

Type:
Part no.:

ASb 648 (60Hz,110V)
72150713115

7 215 07 - ASb 648
7 215 07 - ASb 748



Powered by innovation

