

Type:
Part no.:

ASbe 647-1 (60Hz,110V)
72151313113



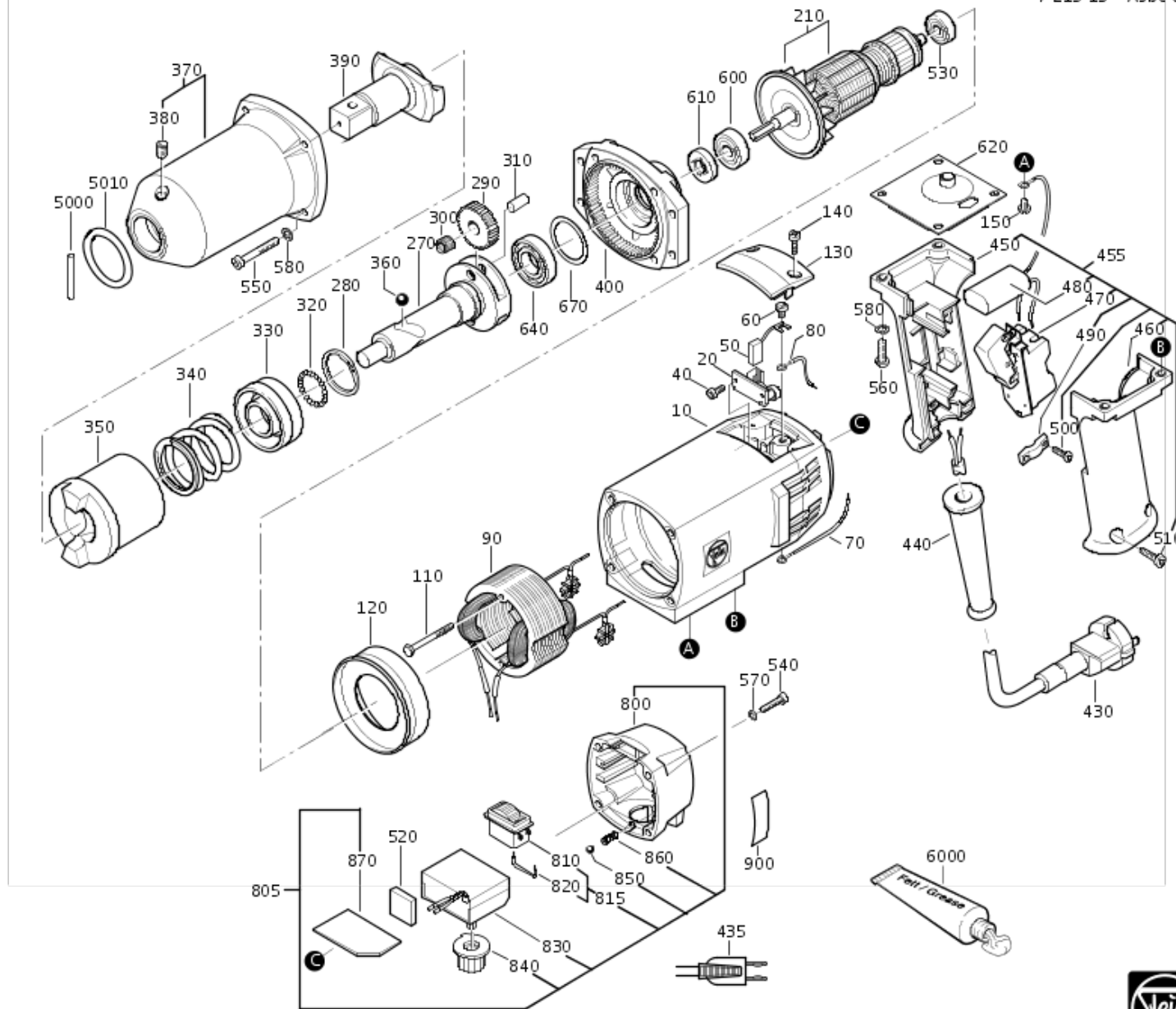
Item	Part no.	Designation	Quantity	Price RPR	AT	Country
0010	31903119003	MOTOR HOUSING	1	on req.	-	-
0020	30712067017	BRUSH HOLDER	2	on req.	-	-
0040	43041001994	FILLISTER HEAD SCREW	4	on req.	-	-
0050	30711067004	CARBON BRUSH	2	on req.	-	-
0060	43003029048	COUNTERSUNK SCREW	2	on req.	-	-
0070	30719062017	Connection cable	1	on req.	-	-
0080	30719065013	Connection cable	1	on req.	-	-
0090	51212002111	FIELD WITH WINDING	1	on req.	-	-
0110	43001002040	HEX.HEAD CAP SCREW	2	on req.	-	-
0120	31428022006	AIR CONDUCTING RING	1	on req.	-	-
0130	32427040001	COVER	2	on req.	-	-
0140	43046001002	SHEET METAL SCREW	4	on req.	-	-
0150	43003029048	COUNTERSUNK SCREW	1	on req.	-	-
0210	53212002113	ARMATURE	1	on req.	-	-
0270	30110016002	DRIVING SHAFT	1	on req.	-	-
0280	42643009005	SEEGER CIRCLIP RING	1	on req.	-	-
0290	33607072002	SPUR WHEEL	2	on req.	-	-
0300	41715009001	NEEDLE CAGE	2	on req.	-	-
0310	41709006000	CYLINDRICAL ROLLER	2	on req.	-	-
0320	41708014001	BALL	24	on req.	-	-
0330	32602045000	THRUST RING	1	on req.	-	-
0340	30901231005	PRESSURE SPRING	1	on req.	-	-
0350	30112023009	PERCUSSION PISTON	1	on req.	-	-
0360	41708025004	BALL	2	on req.	-	-
0370	31508124013	FRONT HOUSING ASS.	1	on req.	-	-
0380	32131037005	LUBRICATING NIPPLE	1	on req.	-	-
0390	30104047005	Tool holder	1	on req.	-	-
0400	31506195012	Interm. Housing ass.	1	on req.	-	-
0435	30707181014	CABLE ASS.	1	on req.	-	-
0440	31413090003	Protecting sleeve	1	on req.	-	-
0450	31204090003	Handle lower part	1	on req.	-	-
0455	31204090012	HANDLE ASS.	1	on req.	-	-
0460	31204091002	Handle upper part	1	on req.	-	-
0470	30701068003	SWITCH	1	on req.	-	-
0480	30722074009	INTERF. CAPACITOR	1	on req.	-	-
0490	32431021007	CLAMPING PIECE	1	on req.	-	-
0500	43041011993	FILLISTER HEAD SCREW	2	on req.	-	-
0510	43041023046	FILLISTER HEAD SCREW	2	on req.	-	-
0520	31415023004	SHOCK ABSORBER	1	on req.	-	-
0530	41701204131	Groove ball bearing	1	on req.	-	-
0540	43033005047	FILLISTER HEAD SCREW	4	on req.	-	-
0550	43033016055	FILLISTER HEAD SCREW	4	on req.	-	-
0560	43014042053	FILLISTER HEAD SCREW	4	on req.	-	-
0570	42443003043	LOCKING WASHER	4	on req.	-	-
0580	42443004057	LOCKING WASHER	8	on req.	-	-
0600	41701207033	GROOVE BALL BEARING	1	on req.	-	-
0610	30602010000	PACKING RING	1	on req.	-	-
0620	32422093007	COVERING PLATE	1	on req.	-	-
0640	41701603013	Groove ball bearing	1	on req.	-	-
0670	32624046028	WASHER	1	on req.	-	-
0670	32624046034	WASHER	1	on req.	-	-
0800	31207067008	HOUSING COVER	1	on req.	-	-
0805	31207067039	HOUSING COVER ASS.	1	on req.	X	-
0810	30701085006	REVERSING SWITCH	1	on req.	-	-

Item	Part no.	Designation	Quantity	Price RPR	AT	Country
0815	30701085021	REVERSING SWITCH	1	on req.	-	-
0820	30719059004	Connection cable	1	on req.	-	-
0830	30762016010	EL. SPEED CONTROLLER	1	on req.	-	-
0840	32805061006	SWITCH HANDLE	1	on req.	-	-
0850	41708018000	BALL	1	on req.	-	-
0860	30901003000	PRESSURE SPRING	1	on req.	-	-
0870	32422095009	BRACING PLATE	1	on req.	-	-
0900	32217084000	Information lable	1	on req.	-	-
5000	30235007005	LOCKING PIN	1	on req.	-	-
5010	40612028008	O-RING SEAL	1	on req.	-	-
6000	32160003014	TUBE OF GREASE	1	on req.	-	-
9000	34101096060	Operating instruction	1	on req.	-	-
9010	34150450040	Sparepartsli.ASbe647-1	1	on req.	-	-

Type:
Part no.:

ASbe 647-1 (60Hz,110V)
72151313113

7 215 13 - ASbe 647-1



N 13

Powered by innovation

