

Type:  
Part no.:

ASq 672-1 (60Hz,110V)  
72050313115



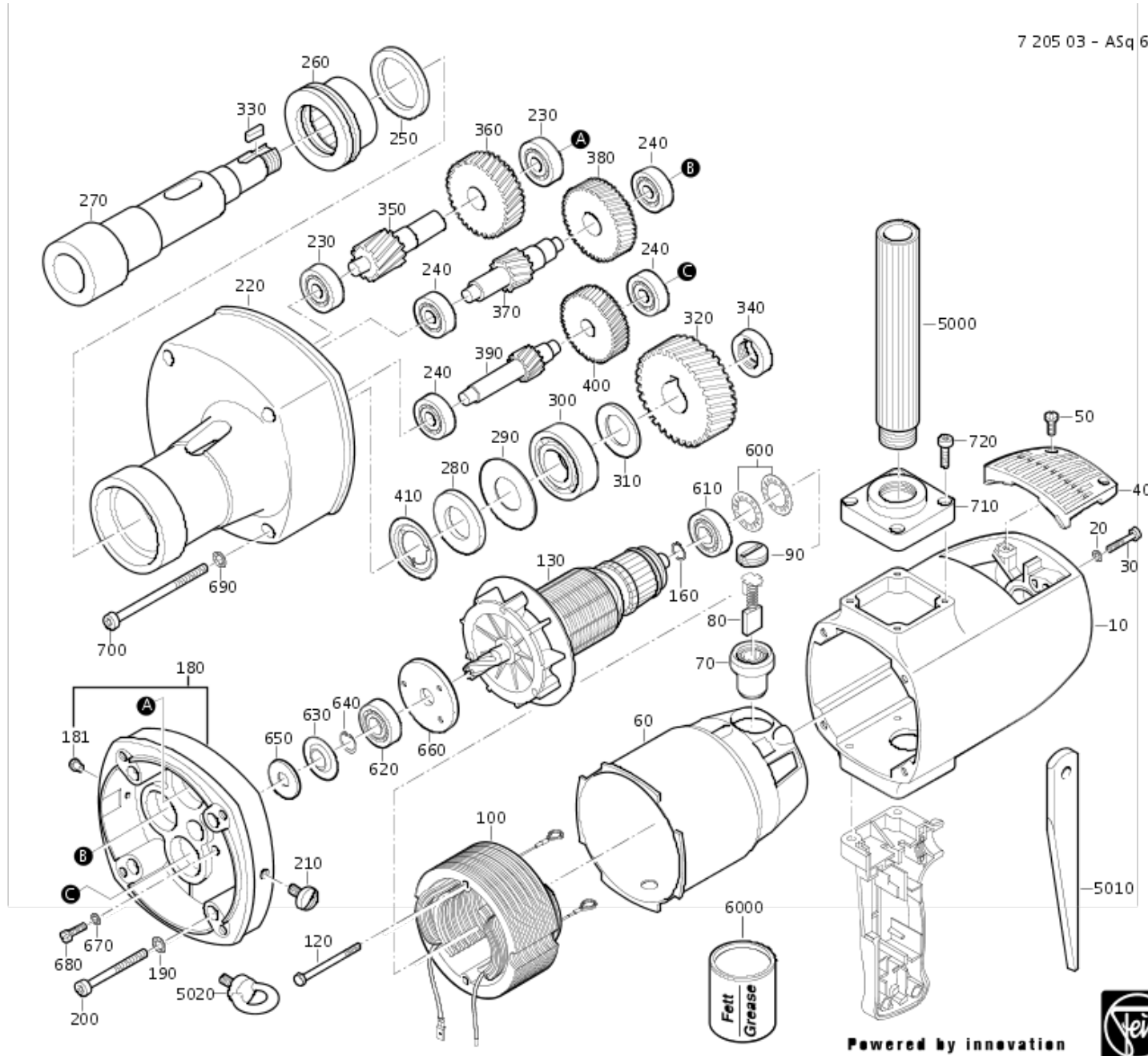
Item	Part no.	Designation	Quantity	Price RPR	AT	Country
0010	31903095007	MOTOR HOUSING	1	on req.	-	-
0020	42443004057	LOCKING WASHER	2	on req.	-	-
0030	43033014058	FILLISTER HEAD SCREW	2	on req.	-	-
0040	32427031001	COVER	2	on req.	-	-
0050	43002033045	FILLISTER HEAD SCREW	4	on req.	-	-
0060	31913018009	INSULATING HOUSING	1	on req.	-	-
0070	30712047047	Brush holder	2	on req.	-	-
0080	30711097001	CARBON BRUSH	2	on req.	-	-
0090	30713009007	CAP	2	on req.	-	-
0100	51232003112	FIELD WITH WINDING	1	on req.	-	-
0120	43001007059	HEX. HEAD CAP SCREW	2	on req.	-	-
0130	53232001117	ARMATURE	1	on req.	-	-
0160	42628001006	CIRCLIP RING	1	on req.	-	-
0180	31506180006	Interm.Housing	1	on req.	-	-
0181	32131001002	LUBRICATING NIPPLE	1	on req.	-	-
0190	42443005064	LOCKING WASHER	4	on req.	-	-
0200	43033037060	FILLISTER HEAD SCREW	4	on req.	-	-
0210	43003069085	COUNTERSUNK SCREW	1	on req.	-	-
0220	31509059006	FRONT HOUSING	1	on req.	-	-
0230	41701213011	GROOVE BALL BEARING	2	on req.	-	-
0240	41701210015	Groove ball bearing	4	on req.	-	-
0250	30601065009	FELT RING	1	on req.	-	-
0260	41720002022	NEEDLE BEARING ASS.	1	on req.	-	-
0270	33402039008	Drill shaft	1	on req.	-	-
0280	30601066002	FELT RING	1	on req.	-	-
0290	32411061006	COVERING DISC	1	on req.	-	-
0300	41701229027	Groove ball bearing	1	on req.	-	-
0310	32408178005	DISC	1	on req.	-	-
0320	33669001005	SPUR WHEEL	1	on req.	-	-
0330	40221041005	FITTING KEY	1	on req.	-	-
0340	42011028005	TWO SLOT NUT	1	on req.	-	-
0350	33769001004	SPUR WHEEL	1	on req.	-	-
0360	33667008001	SPUR WHEEL	1	on req.	-	-
0370	33767006008	SPUR WHEEL	1	on req.	-	-
0380	33665015009	SPUR WHEEL	1	on req.	-	-
0390	33765006002	SPUR WHEEL	1	on req.	-	-
0400	33663019000	SPUR WHEEL	1	on req.	-	-
0410	32408199007	DISC	1	on req.	-	-
0600	30905019003	CUP SPRING	2	on req.	-	-
0610	41701210021	Groove ball bearing	1	on req.	-	-
0620	41701213027	Groove ball bearing	1	on req.	-	-
0630	32411052000	COVERING DISC	1	on req.	-	-
0640	42643001007	SEEGER CIRCLIP RING	1	on req.	-	-
0650	30601055000	FELT RING	1	on req.	-	-
0660	32410048003	COVER PLATE	1	on req.	-	-
0670	42443003043	LOCKING WASHER	3	on req.	-	-
0680	43002035047	FILLISTER HEAD SCREW	3	on req.	-	-
0690	42443005064	LOCKING WASHER	4	on req.	-	-
0700	43033040064	FILLISTER HEAD SCREW	4	on req.	-	-
0710	32420020005	FLANGE FOR HANDLE	1	on req.	-	-
0720	43033012056	FILLISTER HEAD SCREW	4	on req.	-	-
0730	31207204008	HOUSING	1	on req.	-	-
0740	31406031002	Insulating sleeve	1	on req.	-	-
0750	43035027056	FILLISTER HEAD SCREW	4	on req.	-	-

Item	Part no.	Designation	Quantity	Price RPR	AT	Country
0800	30701093003	SWITCH	1	on req.	-	-
0810	32431021007	CLAMPING PIECE	1	on req.	-	-
0820	43041001994	FILLISTER HEAD SCREW	2	on req.	-	-
0830	31413090003	Protecting sleeve	1	on req.	-	-
0840	30722122026	INTERFER. CAPACITOR	1	on req.	-	-
0841	30719164018	Connection cable	1	on req.	-	-
0842	31413188006	Insulating tube	1	on req.	-	-
0851	30707186016	CABLE ASS.	1	on req.	-	-
0860	30701210019	REVERSING SWITCH	1	on req.	-	-
0890	32414105002	SWITCH INSERT	1	on req.	-	-
2000	31204161004	Handle lower part	1	on req.	-	-
2010	31204163001	Handle upper part	1	on req.	-	-
2020	43003042041	COUNTERSUNK SCREW	2	on req.	-	-
5000	32120024002	TUBE HANDLE	1	on req.	-	-
5010	63305004001	WEDGE	1	on req.	-	-
5020	43027006081	EYE BOLT	1	on req.	-	-
6000	32132007033	BOX OF GREASE (0,850Kg)	1	on req.	-	-
9000	34100363067	Operat.instruction	1	on req.	-	-
9010	34150363000	Sparepartslist ASQ672-1	1	on req.	-	-

Type:  
Part no.:

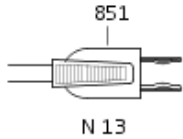
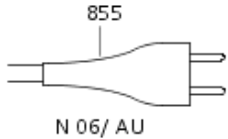
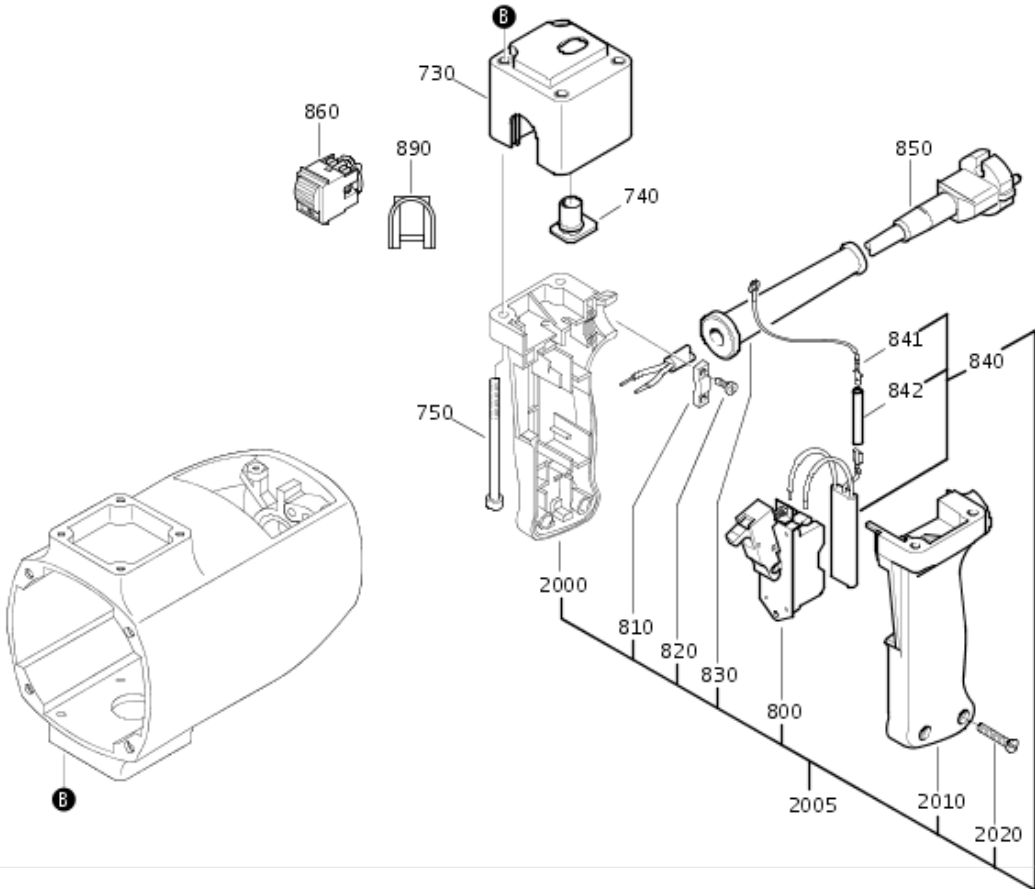
ASq 672-1 (60Hz,110V)  
72050313115

7 205 03 - ASq 672-1



Powered by innovation





Powered by innovation

