

Type:

ASse 636-2 b (60Hz,110V)



Part no.:

72107712111

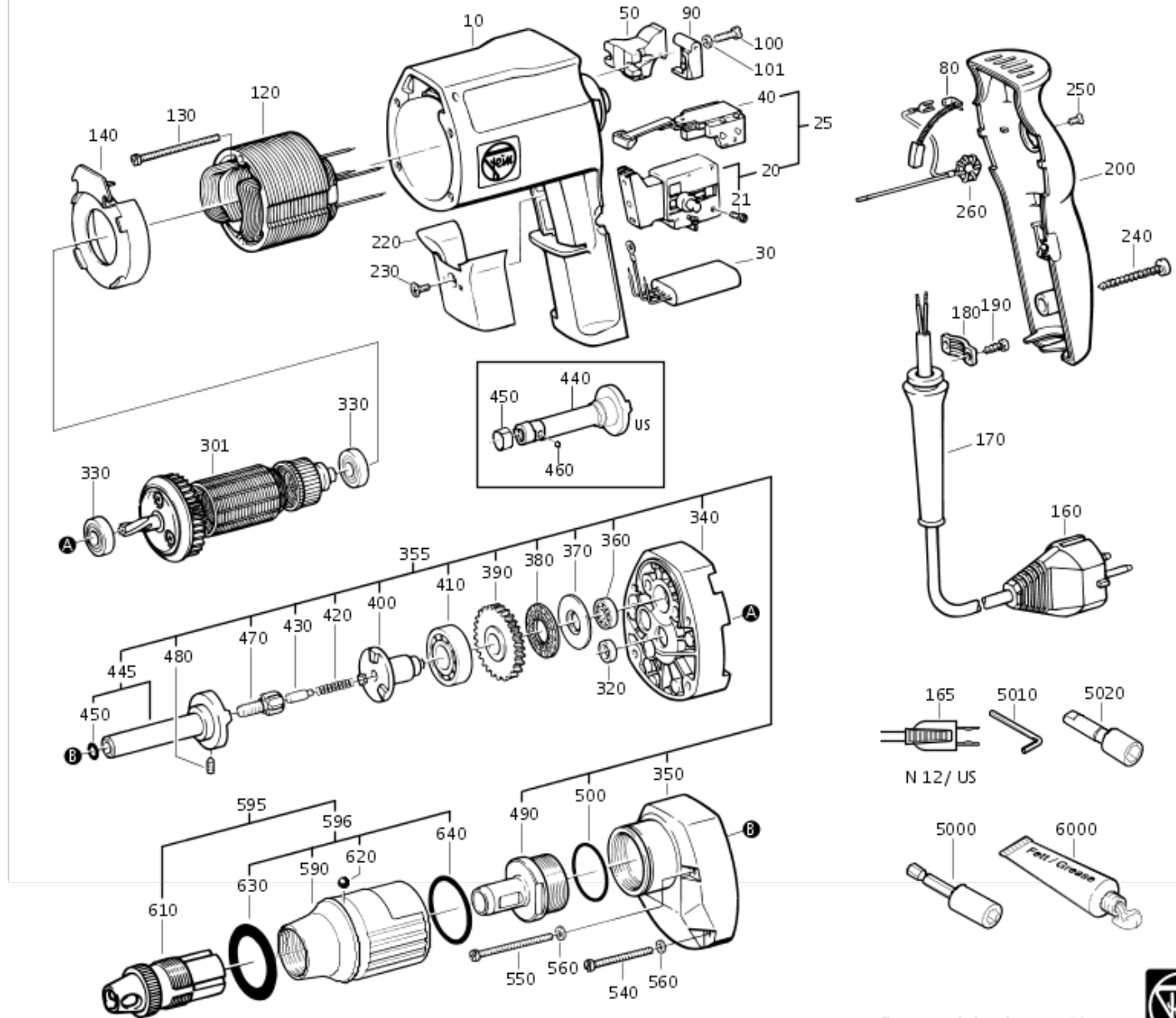
Item	Part no.	Designation	Quantity	Price RPR	AT	Country
0010	31901117015	MOTOR HOUSING ASS.	1	on req.	-	-
0020	30701234002	EL. SPEED CONTROLLER	1	on req.	-	-
0021	43013052033	FILLISTER HEAD SCREW	2	on req.	-	-
0025	30701234011	SWITCH	1	on req.	-	-
0030	30722161013	INTERF. CAPACITOR	1	on req.	-	-
0040	30701238001	Reversing switch	1	on req.	-	-
0050	30712043001	HOUSING FOR BRUSHES	2	on req.	-	-
0080	30711059007	CARBON BRUSH	2	on req.	-	-
0090	30713010009	CAP	2	on req.	-	-
0100	43002014998	FILLISTER HEAD SCREW	4	on req.	-	-
0101	42443002992	LOCKING WASHER	3	on req.	-	-
0120	51203027114	FIELD WITH WINDING	1	on req.	X	-
0130	43002025991	FILLISTER HEAD SCREW	2	on req.	-	-
0140	31428004000	INSULATING RING	1	on req.	-	-
0165	30707097010	CABLE ASS.	1	on req.	-	-
0170	31413142009	Protecting sleeve	1	on req.	-	-
0180	32431021007	CLAMPING PIECE	1	on req.	-	-
0190	43046002005	SHEET METAL SCREW	2	on req.	-	-
0200	31201066005	COVER	1	on req.	-	-
0220	32805120000	Switch lever	1	on req.	-	-
0230	43066006032	Countersunk h. screw	1	on req.	-	-
0240	43046024005	SHEET METAL SCREW	1	on req.	-	-
0250	43066002992	Countersunk h. screw	1	on req.	-	-
0260	30719117014	Connection cable	1	on req.	-	-
0270	30719118012	Connection cable	1	on req.	-	-
0301	53203014116	ARMATURE	1	on req.	-	-
0320	32612084001	PACKING RING	1	on req.	-	-
0330	41701001172	GROOVE BALL BEARING	2	on req.	-	-
0340	31506307001	Interm.Housing	1	on req.	-	-
0350	31508225004	FRONT HOUSING	1	on req.	-	-
0360	41701202018	GROOVE BALL BEARING	1	on req.	-	-
0370	32415042004	PRESSURE DISC	1	on req.	-	-
0380	41715029009	NEEDLE BEARING	1	on req.	-	-
0390	33657107009	SPUR WHEEL	1	on req.	-	-
0400	33408020004	Claw shaft	1	on req.	-	-
0410	41701010010	GROOVE BALL BEARING	1	on req.	-	-
0420	30901232008	PRESSURE SPRING	1	on req.	-	-
0430	30220028005	BOLT	1	on req.	-	-
0440	30104083002	Tool holder	1	on req.	-	-
0450	30906025008	RETAINING RING	1	on req.	-	-
0460	41708014001	BALL	1	on req.	-	-
0470	33022034001	ADJUSTING SCREW	1	on req.	-	-
0480	43058002044	PIN SCREW	1	on req.	-	-
0490	31603014004	Bush	1	on req.	-	-
0500	40612093004	PACKING RING	1	on req.	-	-
0540	43002021992	FILLISTER HEAD SCREW	2	on req.	-	-
0550	43002024997	FILLISTER HEAD SCREW	2	on req.	-	-
0560	42443002992	LOCKING WASHER	4	on req.	-	-
0590	30505061004	SLEEVE	1	on req.	-	-
0595	32127057023	Stop sleeve ass.	1	on req.	-	-
0596	30505061013	Sleeve ass.	1	on req.	-	-
0610	32127057008	Stop sleeve	1	on req.	-	-
0620	41708019004	BALL	2	on req.	-	-
0630	40612071009	O-RING SEAL	1	on req.	-	-

<b>Item</b>	<b>Part no.</b>	<b>Designation</b>	<b>Quantity</b>	<b>Price RPR</b>	<b>AT</b>	<b>Country</b>
0640	40612068004	O-RING SEAL	1	on req.	-	-
5010	62907029006	SOCKET HEAD WRENCH	1	on req.	-	-
6000	32160003014	TUBE OF GREASE	1	on req.	-	-
9000	34100758066	Operat.instruction	1	on req.	-	-

Type:  
Part no.:

ASse 636-2 b (60Hz,110V)  
72107712111

7 210 77 - ASse 636-2B KI



Powered by innovation

