

Type:
Part no.:

ASse 636 II-8b (60Hz,120V)
72108912362



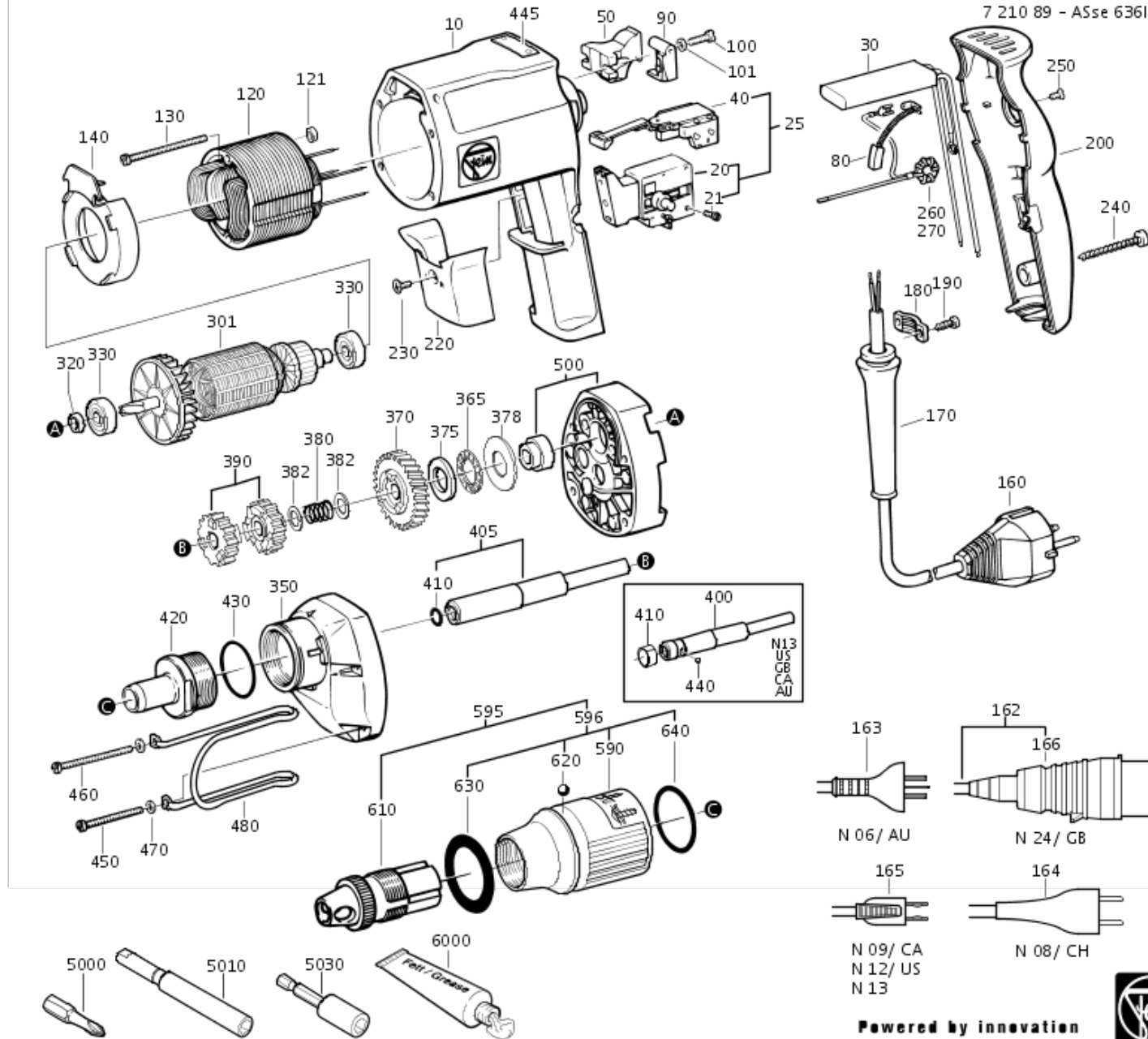
Item	Part no.	Designation	Quantity	Price RPR	AT	Country
0010	31901117021	MOTOR HOUSING ASS.	1	on req.	-	-
0020	30701234002	EL. SPEED CONTROLLER	1	on req.	-	-
0021	43013052033	FILLISTER HEAD SCREW	2	on req.	-	-
0025	30701234011	SWITCH	1	on req.	-	-
0030	30722179010	INTERF. CAPACITOR	1	on req.	-	-
0040	30701238001	Reversing switch	1	on req.	-	-
0050	30712043001	HOUSING FOR BRUSHES	2	on req.	-	-
0080	30711059007	CARBON BRUSH	2	on req.	-	-
0090	30713010009	CAP	2	on req.	-	-
0100	43002014998	FILLISTER HEAD SCREW	4	on req.	-	-
0101	42443002992	LOCKING WASHER	3	on req.	-	-
0120	51274007118	Field with winding	1	on req.	-	-
0121	32601267006	RING	2	on req.	-	-
0130	43002024997	FILLISTER HEAD SCREW	2	on req.	-	-
0140	31428122005	AIR CONDUCTING RING	1	on req.	-	-
0165	30707097010	CABLE ASS.	1	on req.	-	-
0170	31413142009	Protecting sleeve	1	on req.	-	-
0180	32431021007	CLAMPING PIECE	1	on req.	-	-
0190	43046002005	SHEET METAL SCREW	2	on req.	-	-
0200	31201066005	COVER	1	on req.	-	-
0220	32805120000	Switch lever	1	on req.	-	-
0230	43066006032	Countersunk h. screw	1	on req.	-	-
0240	43046024005	SHEET METAL SCREW	1	on req.	-	-
0250	43066002992	Countersunk h. screw	1	on req.	-	-
0260	30719117014	Connection cable	1	on req.	-	-
0270	30719118012	Connection cable	1	on req.	-	-
0301	53274003111	Armature	1	on req.	X	-
0320	32612084001	PACKING RING	1	on req.	-	-
0330	41701001172	GROOVE BALL BEARING	2	on req.	-	-
0350	31508225004	FRONT HOUSING	1	on req.	-	-
0365	41715041009	NEEDLE BEARING	1	on req.	-	-
0370	33657161007	Spur wheel Z=43	1	on req.	-	-
0375	41719027001	RADIAL PACKING RING	1	on req.	-	-
0378	41719026007	DISC	1	on req.	-	-
0380	30901139007	PRESSURE SPRING	1	on req.	-	-
0382	32624094032	WASHER	2	on req.	-	-
0390	30102101013	CAM RING REPAIR SET	1	on req.	-	-
0400	30104112004	Tool holder	1	on req.	X	-
0410	30906025008	RETAINING RING	1	on req.	-	-
0420	31603014004	Bush	1	on req.	-	-
0430	40612093004	PACKING RING	1	on req.	-	-
0440	41708014001	BALL	1	on req.	-	-
0450	43002021992	FILLISTER HEAD SCREW	2	on req.	-	-
0460	43002024997	FILLISTER HEAD SCREW	2	on req.	-	-
0470	42443002992	LOCKING WASHER	4	on req.	-	-
0480	30232038001	CLAMPING HOOK	1	on req.	-	-
0500	31506307026	Interm. Housing ass.	1	on req.	-	-
0590	30505061004	SLEEVE	1	on req.	-	-
0595	32127057023	Stop sleeve ass.	1	on req.	-	-
0596	30505061013	Sleeve ass.	1	on req.	-	-
0610	32127057008	Stop sleeve	1	on req.	-	-
0620	41708019004	BALL	2	on req.	X	-
0630	40612071009	O-RING SEAL	1	on req.	-	-
0640	40612068004	O-RING SEAL	1	on req.	-	-

Item	Part no.	Designation	Quantity	Price RPR	AT	Country
6000	32160003217	TUBE OF GREASE (0,085Kg)	1	on req.	-	-
9000	34100965062	Operat.instruction	1	on req.	X	-

Type:
Part no.:

ASse 636 II-8b (60Hz,120V)
72108912362

7 210 89 - ASse 636II-8 B KI



Powered by innovation

