

Type:
Part no.:

ASixe 649-1 (60Hz,110V)
72342313110



Item	Part no.	Designation	Quantity	Price RPR	AT	Country
0010	31903099006	MOTOR HOUSING	1	on req.	-	-
0020	30712067017	BRUSH HOLDER	2	on req.	-	-
0040	43041001994	FILLISTER HEAD SCREW	4	on req.	-	-
0050	30711067004	CARBON BRUSH	2	on req.	-	-
0060	43041016042	FILLISTER HEAD SCREW	2	on req.	-	-
0070	51215024110	Field with winding	1	on req.	-	-
0090	43001004042	HEX. HEAD CAP SCREW	2	on req.	-	-
0100	31428010005	AIR CONDUCTING RING	1	on req.	-	-
0110	32427040001	COVER	2	on req.	-	-
0120	43046001002	SHEET METAL SCREW	4	on req.	-	-
0250	53215007115	ARMATURE	1	on req.	-	-
0300	31209013002	GEAR HOUSING	1	on req.	-	-
0340	41701607012	Groove ball bearing	1	on req.	-	-
0350	30110022002	DRIVE BLOCK	1	on req.	-	-
0360	30216098002	BOLT	2	on req.	-	-
0370	33811030002	SPUR WHEEL	2	on req.	-	-
0390	41715017008	NEEDLE CAGE	2	on req.	-	-
0400	41715013009	NEEDLE CAGE	2	on req.	-	-
0410	33804015005	TOOTHED RING	1	on req.	-	-
0420	43002108997	FILLISTER HEAD SCREW	2	on req.	-	-
0430	41701010032	Groove ball bearing	1	on req.	-	-
0440	40221008003	FITTING KEY	1	on req.	-	-
0450	42641001002	CIRCLIP RING	1	on req.	-	-
0465	33809142019	BEVEL GEARS	1	on req.	-	-
0470	32624087028	WASHER	1	on req.	-	-
0470	32624087034	WASHER	1	on req.	-	-
0490	32624086024	WASHER	1	on req.	-	-
0490	32624086030	WASHER	1	on req.	-	-
0500	40221017004	FITTING KEY	1	on req.	-	-
0510	33405022003	Crank shaft	1	on req.	-	-
0515	33405022028	CRANK SHAFT ASS.	1	on req.	-	-
0520	30217200004	BOLT	1	on req.	-	-
0530	41724001005	SUPPORTING ROLLER	1	on req.	-	-
0550	32408212006	Disc	1	on req.	-	-
0560	42616006007	LOCKING RING	1	on req.	-	-
0580	41701222038	Groove ball bearing	1	on req.	-	-
0590	42019006080	HEX. NUT W. WASHER	1	on req.	-	-
0620	32419063000	Plate	1	on req.	-	-
0630	42616003002	LOCKING RING	1	on req.	-	-
0640	40247006002	GROOVED DOWEL PIN	2	on req.	-	-
0650	43035073052	FILLISTER HEAD SCREW	4	on req.	-	-
0660	42443004057	LOCKING WASHER	13	on req.	-	-
0680	32408232004	DISC	1	on req.	-	-
0690	40247007006	GROOVED DOWEL PIN	2	on req.	-	-
0700	32429068000	COVER	1	on req.	-	-
0705	32429068019	Cover ass.	1	on req.	-	-
0770	32714057002	CONNECTING ROD	1	on req.	-	-
0775	32714057011	CONNECTING ROD ASS.	1	on req.	-	-
0780	32714059004	CONNECTING LINK	1	on req.	-	-
0790	43035080068	FILLISTER HEAD SCREW	2	on req.	-	-
0800	40201036006	STRAIGHT PIN	1	on req.	-	-
0810	43007038088	STUD BOLT	2	on req.	-	-
0820	32714011000	PRESSURE PLATE	1	on req.	-	-
0830	42001009080	HEXAGON NUT	2	on req.	-	-

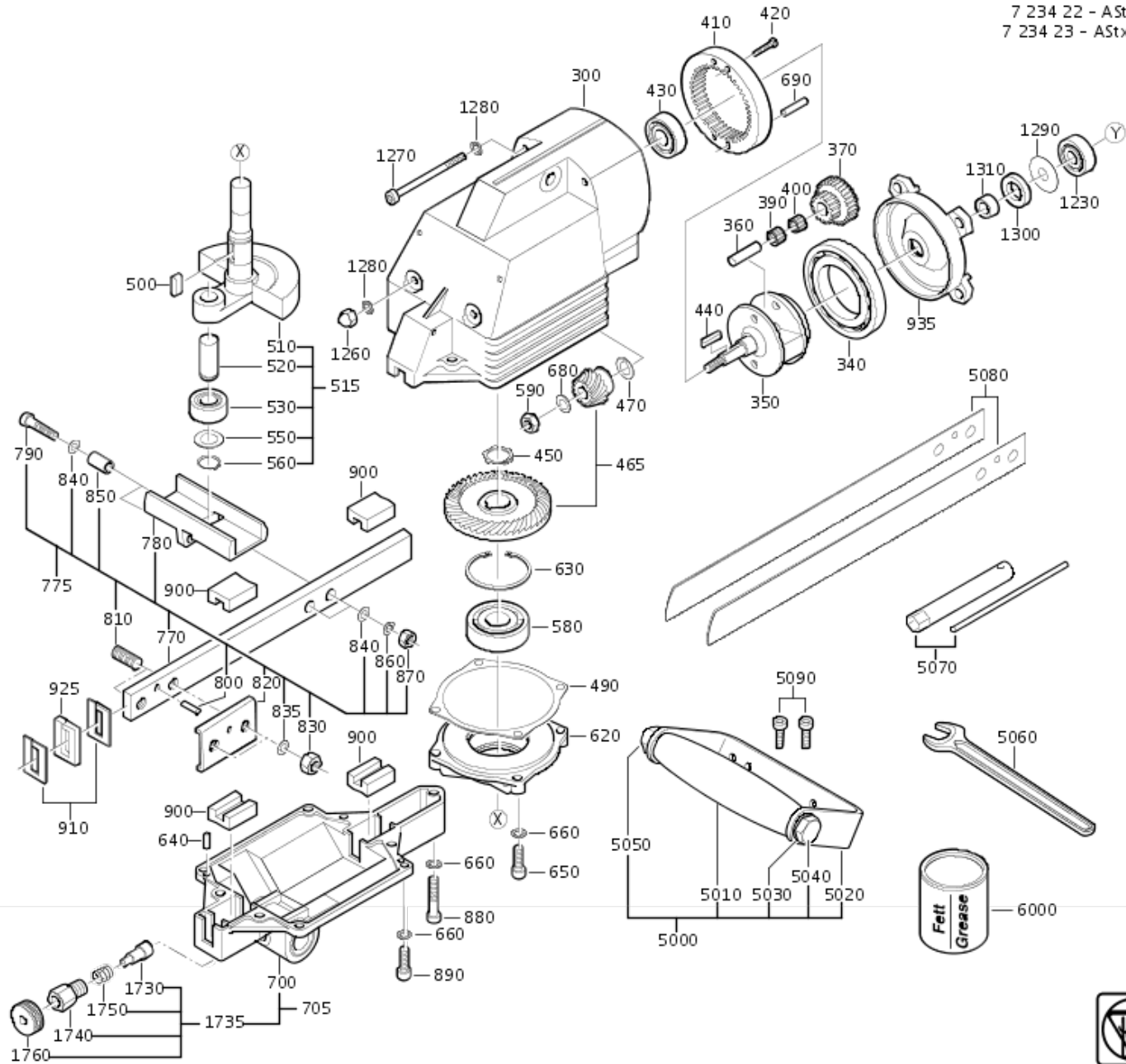
Item	Part no.	Designation	Quantity	Price RPR	AT	Country
0835	42401019085	WASHER	2	on req.	-	-
0840	42401018069	WASHER	4	on req.	-	-
0850	40238041005	CLAMPING SLEEVE	2	on req.	-	-
0860	42445003060	SPRING RING	2	on req.	-	-
0870	42001029066	HEXAGON NUT	2	on req.	-	-
0880	43033015052	FILLISTER HEAD SCREW	1	on req.	-	-
0890	43035073052	FILLISTER HEAD SCREW	8	on req.	-	-
0900	31604008001	SLIDING BEARING	4	on req.	-	-
0910	32714058000	STRIPPING PLATE	2	on req.	-	-
0920	31204179000	Handle lower part	1	on req.	-	-
0925	30604042007	FELT GASKET	1	on req.	-	-
0930	30701272010	Switch 2p ass.	1	on req.	-	-
0935	31506209007	Interm.Housing	1	on req.	-	-
0940	43041035047	FILLISTER HEAD SCREW	2	on req.	-	-
0950	31324121000	Packing plate	1	on req.	-	-
0960	32431042008	CLAMPING PIECE	1	on req.	-	-
0970	43070035002	SCREW	1	on req.	-	-
0980	31324123000	Plug housing	1	on req.	-	-
0990	31412063000	Spring clip	2	on req.	-	-
1010	30605042008	PACKING PLATE	1	on req.	-	-
1030	31413094007	Protecting sleeve	1	on req.	-	-
1040	31204180000	Handle upper part	1	on req.	-	-
1050	43070031003	SCREW	3	on req.	-	-
1051	43041016042	FILLISTER HEAD SCREW	1	on req.	-	-
1055	43070038007	Screw	1	on req.	-	-
1060	30722186010	Capacitor	1	on req.	-	-
1070	30719655010	Connection cable	2	on req.	-	-
1111	30707181014	CABLE ASS.	1	on req.	-	-
1200	41701204131	Groove ball bearing	1	on req.	-	-
1210	43002106058	FILLISTER HEAD SCREW	4	on req.	-	-
1220	42443004057	LOCKING WASHER	4	on req.	-	-
1230	41701207033	GROOVE BALL BEARING	1	on req.	-	-
1250	33023059003	BOLT	2	on req.	-	-
1260	42019005052	HEXAGON NUT	2	on req.	-	-
1270	43035025059	FILLISTER HEAD SCREW	2	on req.	-	-
1280	42443004057	LOCKING WASHER	4	on req.	-	-
1290	32411069004	COVERING DISC	1	on req.	-	-
1300	30601082001	FELT RING	1	on req.	-	-
1310	32612077003	PACKING RING	1	on req.	-	-
1320	31207078005	HOUSING	1	on req.	-	-
1330	30762287020	El.speed controller	1	on req.	-	-
1340	32414046002	INSERT	1	on req.	-	-
1350	30605058008	Packing plate	1	on req.	-	-
1400	32221732018	Sticker	1	on req.	-	-
1730	33412015000	LOCKING PIN	1	on req.	-	-
1735	33412015019	LOCKING PIN ASS.	1	on req.	-	-
1740	30510025004	SLEEVE	1	on req.	-	-
1750	30901113008	PRESSURE SPRING	1	on req.	-	-
1760	32601193008	RING	1	on req.	-	-
5000	32119044012	HANDLE ASS.	1	on req.	-	-
5010	32119044003	HANDLE	1	on req.	-	-
5020	33211022001	BOW	1	on req.	-	-
5030	42401017104	DISC	1	on req.	-	-
5040	43001059102	HEX. HEAD CAP SCREW	1	on req.	-	-
5050	42019007105	HEXAGON NUT	1	on req.	-	-
5060	62901007007	SINGLE HEAD WRENCH	1	on req.	-	-
5070	62906009007	SOCKET SPANNER	1	on req.	-	-

Item	Part no.	Designation	Quantity	Price RPR	AT	Country
5080	63503063007	SAW BLADE HSS	2	on req.	-	-
5090	43035014056	FILLISTER HEAD SCREW	2	on req.	-	-
6000	32132007011	BOX OF GREASE (0,850Kg)	1	on req.	-	-
9000	34101081060	Operating instruction	1	on req.	-	-
9010	34151081000	Partslist AStx/e 649-1	1	on req.	-	-

Type:
Part no.:

AStxe 649-1 (60Hz,110V)
72342313110

7 234 22 - AStx 649-1
7 234 23 - AStxe 649-1



7 234 22 - AStx 649-1
7 234 23 - AStxe 649-1

