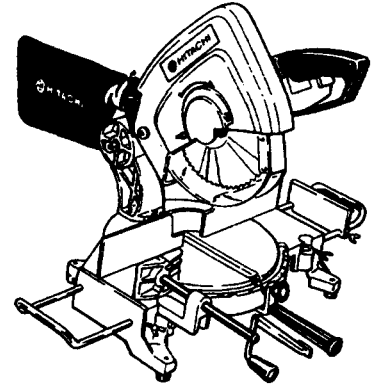
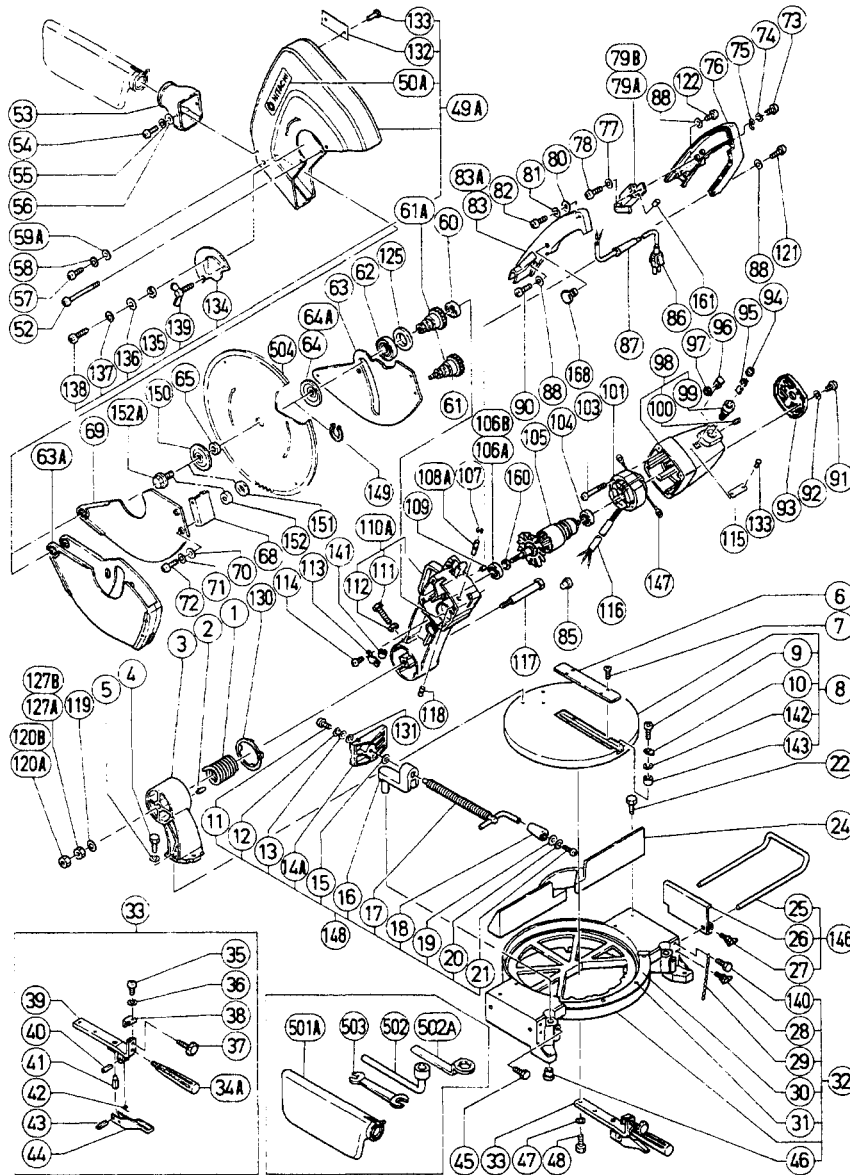




# HITACHI

## 10" MITER SAW

## Model C 10FA



**IMPORTANT**-To assure product **SAFETY** and **RELIABILITY**, repairs, maintenance or adjustments should be performed by **HITACHI** Service Centers or other qualified service organizations. Always use **HITACHI** replacement parts.

ITEM NO.	PART NO.	NO. USED	DESCRIPTION	SUPPLY QTY	ITEM NO.	PART NO.	NO. USED	DESCRIPTION	SUPPLY QTY
1	974634	1	Spring		18	967614	1	Feed Grip (A)	
2	949883	1	Roll Pin M8×45	10	19	976448	1	Washer (B)	
3	974631	1	Hinge		20	949453	1	Spring Washer M4	10
4	949628	3	Bolt M8×30	10	21	949216	1	Machine Screw M4×10	10
5	949457	3	Spring Washer M8	10	22	988119	4	Bolt M8×30 (W / Spring Washer)	
6	974579	1	Table Insert		24	974545	2	Vise (B)	
7	949322	4	Flat Head Screw M4×10	10	25	974562	1	Holder	
8	974666	1	Turn Table Assembly (includes Item No.9,10,142,143)		26	974561	1	Stopper	
9	949237	1	Machine Screw M5×12	10	27	949404	1	Wing Bolt M6×20	10
10	974592	1	Indicator		28	949854	2	Wing Bolt M6×35	10
11	949254	1	Machine Screw M6×10	10	29	974578	1	Chain	
12	949455	1	Spring Washer M6	10	30	976444	1	Scale	
13	949432	1	Bolt Washer M6	10	31	949510	4	Rivet D2.5×4.8	10
14 A	974548	1	Vise (A)		32	976471	1	Base Assembly (includes Item No.28 - 31,45,46,140)	
15	949434	1	Bolt Washer	10	33	976440	1	Stopper Holder Assembly (includes Item No.34 - 44)	
16	974599	1	Female Screw		34 A	976480	1	Side Handle (old 951657)	
17	974600	1	Screw		35	949214	2	Machine Screw M4×6	10



# HITACHI

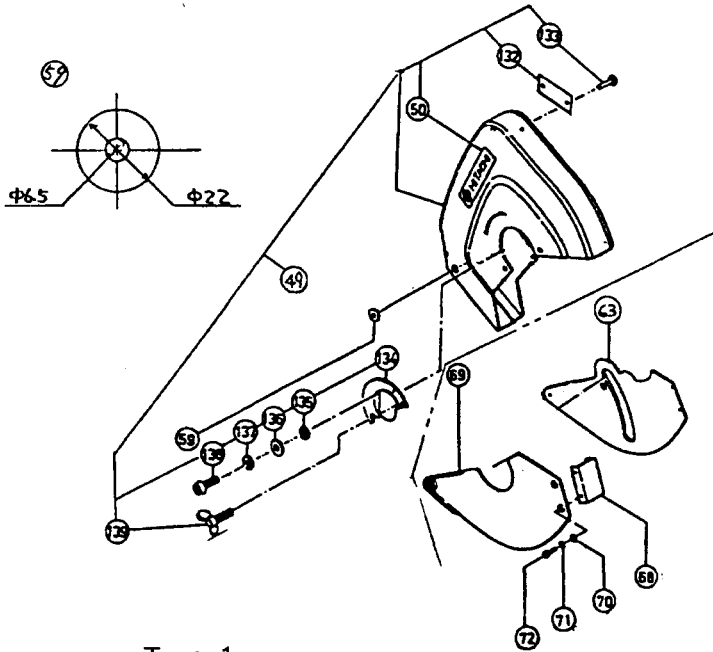
## 10" MITER SAW

## Model C 10FA

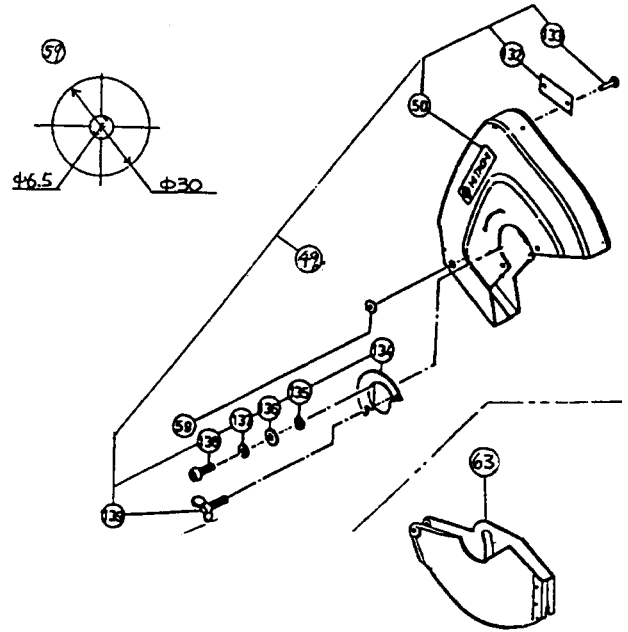
ITEM NO.	PART NO.	NO. USED	DESCRIPTION	SUPPLY QTY	ITEM NO.	PART NO.	NO. USED	DESCRIPTION	SUPPLY QTY
36	949453	2	Spring Washer M4	10	99	974567	2	Brush Holder	
37	976449	1	Knob Bolt M6		100	949365	2	Slotted Set Screw M4x5	10
38	976474	1	Spacer (A)		101	976445G	1	Stator	
39	-	1	Stopper Holder (A)		103	974603	2	Machine Screw M5x75	
40	949681	1	Spring Pin 5x25	10	104	6200VV	1	Ball Bearing 6200ZZCMPS2S	
41	-	1	Stopper Pin		105	974614G	1	Armature (includes item Nos. 104, 106B, 160)	
42	-	1	Stopper Spring		106 A	6201VV	1	Ball Bearing 6201VVCMP2S till 9 / 83	
43	949681	1	Spring Pin 5x25	10	106 B	6002VV	1	Ball Bearing 6002VVCMP2S since 11 / 83	
44	-	1	Stopper Handle		107	974577	1	Retaining Ring D7	
45	974601	1	Bolt M8x10		108 A	974576	1	Stopper Pin	
46	974591	4	Base Rubber		109	976441	1	Bearing Lock	
47	949457	2	Spring Washer	10	110 A	976479	1	Gear Case Assembly (includes item No.111,112) (old 974627)	
48	949628	2	Bolt M8x30	10	111	974638	1	Boit M10x60	
49 A	*	1	Saw Cover Assembly (includes item No.50,132 - 139)		112	949560	1	Nut M10	10
50 A	998842	1	HITACHI Label		113	934028	1	Cord Clip	
52	974573	4	Tapping Screw M5x105		114	949216	2	Machine Screw M4x10	10
53	974564	1	Duct		115	-	1	Name Plate	
54	949216	4	Machine Screw M4x10	10	116	-	1	Tube	
55	949453	4	Spring Washer M4	10	117	974550	1	Hinge Shaft	
56	949429	4	Bolt Washer M4	10	118	948363	1	Gauge Spring	
57	949239	2	Machine Screw M5x16	10	119	949437	1	Bolt Washer M12	10
58	949454	2	Spring Washer M5	10	120 A	949574	1	Lock Nut till9 / 83	
59 A	936311	2	Washer (B)		120 B	973519	1	Lock Nut since10 / 83	
60	6001VV	1	Ball Bearing 6001VVCMP2S		121	949243	2	Machine Screw M5x25	10
61	**	1	Spindle Gear		122	949239	1	Machine Screw M5x16	10
62	6006ZZ	1	Ball Bearing 6006ZZCMPS2S		125	974602	1	Bearing Collar	
63	*	1	Safety Cover (includes item No. 63,68-72)		127 A	949561	1	Nut till9 / 83	10
64	**	2	Washer (A)		127 B	972712	1	Nut since10 / 83	10
65	976442	1	Collar (A) till6 / 83		130	974656	1	Spacer	
67	988101	1	Bolt (A) till6 / 83		131	974612	1	Wave Washer	
68	*	1	Safety Cover Holder		132	-	1	Caution Plate	
69	*	1	Safety Cover (B)		133	949510	2	Rivet	10
70	*	4	Bolt Washer M4	10	134	974655Z	1	Sub Cover (A)	
71	*	4	Spring Washer M4	10	135	974484	1	Washer	
72	*	4	Machine Screw M4x8	10	136	967329	1	Washer (H)	
73	949216	1	Machine Screw M4x10	10	137	949455	1	Spring Washer M6	10
74	949429	1	Bolt Washer M4	10	138	949254	1	Machine Screw M6x10	10
75	974657	1	Chain Hook (A)		139	949394	1	Wing Bolt M6x10	10
76	988107	1	Handle		140	949676	1	Bolt M6x20	10
77	949453	2	Spring Washer M4	10	141	-	1	Tube (A)	
78	974572	2	Tapping Screw D4x10		142	949431	1	Bolt Washer M5	10
79 A	988924	1	Switch and Handle Cover Set (includes 79B)		143	974667	1	Spacer	
79 B	988925	1	Switch (B)		146	974661	1	Guide	
80	949429	2	Bolt Washer M4	10	147	998744	2	Brush Terminal (old 957004)	
81	949453	2	Spring Washer M4	10	148	974662	1	Vise Assembly (includes item No.11 - 21,131)	
82	974589	2	Tapping Screw D4x25	10	149	**	1	Retaining Ring D16 till 870330	10
83 A	988920	1	Handle Cover		150	**	1	Washer (B)	
85	959141	1	Connector (50092)	10	151	**	1	Special Washer M12	
86	500242Z	1	Cord		152	**	1	Bolt M8	
87	940778	1	Cord Armor		152 A	976811	1	L.H. Bolt M8 since 870331	
88	949431	5	Bolt Washer M5	10	160	947622	1	Distance Piece since 11 / 83	
90	949237	2	Machine Screw M5x12	10	161	988894	4	Tube (D)	
91	974572	2	Tapping Screw D4x10		168	951895	1	Lock off Button	
92	949453	2	Spring Washer M4	10	501 A	976478	1	Dust Bag	
93	974571	1	Tail Cover		502	974581	1	Wrench 24mm till 870330	
94	978445	2	Brush Cap (old 940540)		502 A	988102	1	Box Wrench since 870331	
95	937943Z	2	Carbon Brush	2	503	974604	1	Wrench 13 / 17mm	
96	974569	2	Nut Cover		504	974641Z	1	Combination Saw Blade	
97	949555	2	Nut M5	10					
98	974566	1	Housing Assembly (includes item No.99,100)						

## SERVICE CHANGE

### 1. Change on Saw Cover Assembly and Safety Cover:



Type 1

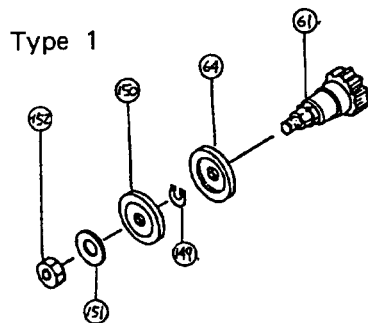


Type 2

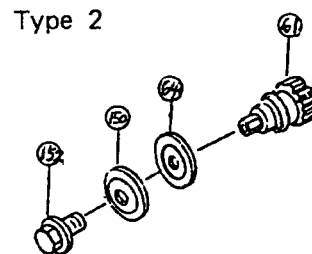
Item No.	Description	Type 1 till S #870330	No. Used	Type 2 since S #870331	No. Used
49	Saw Cover Ass'y	Part #974637Z	1	Part #976477	1
59	Washer (B)	Part #972256	2	Part #936311	2
63	Safety Cover	Part #974623	1	Part #976475	1
68	Cover Holder	Part #974624	1	—	—
69	Safety Cover (B)	Part #974625	1	—	—
70	Bolt Washer M4	Part #949429	4	—	—
71	Spring Washer M4	Part #949453	4	—	—
72	Machine Screw M4	Part #949215	4	—	—

The above parts are completely interchangeable as a set.

### 2. Change on Spindle Gear:



Type 1

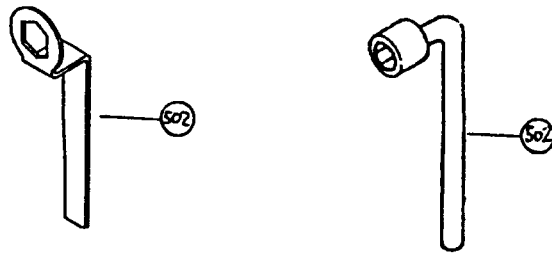


Type 2

Item No.	Description	Type 1 till S #870330	No. Used	Type 2 since S #870331	No. Used
61	Spindle Gear	Part #974628	1	Part #976476	1
64	Washer (B)	Part #974555	1	Part #976810	1
149	Retaining Ring	Part #939545	1	—	—
151	Special Washer	Part #974608	1	—	—
152	Bolt M8	Part #974558	1	Part #976811	1

The above parts are completely interchangeable as a set.

3. Change on Wrench



Item No.	Description	Type 1 till S #870330		Type 2 since S #870331	
			No. Used		No. Used
502	Box Wrench	Part #974581 Wrench	1	Part #988102 Box Wrench	1