

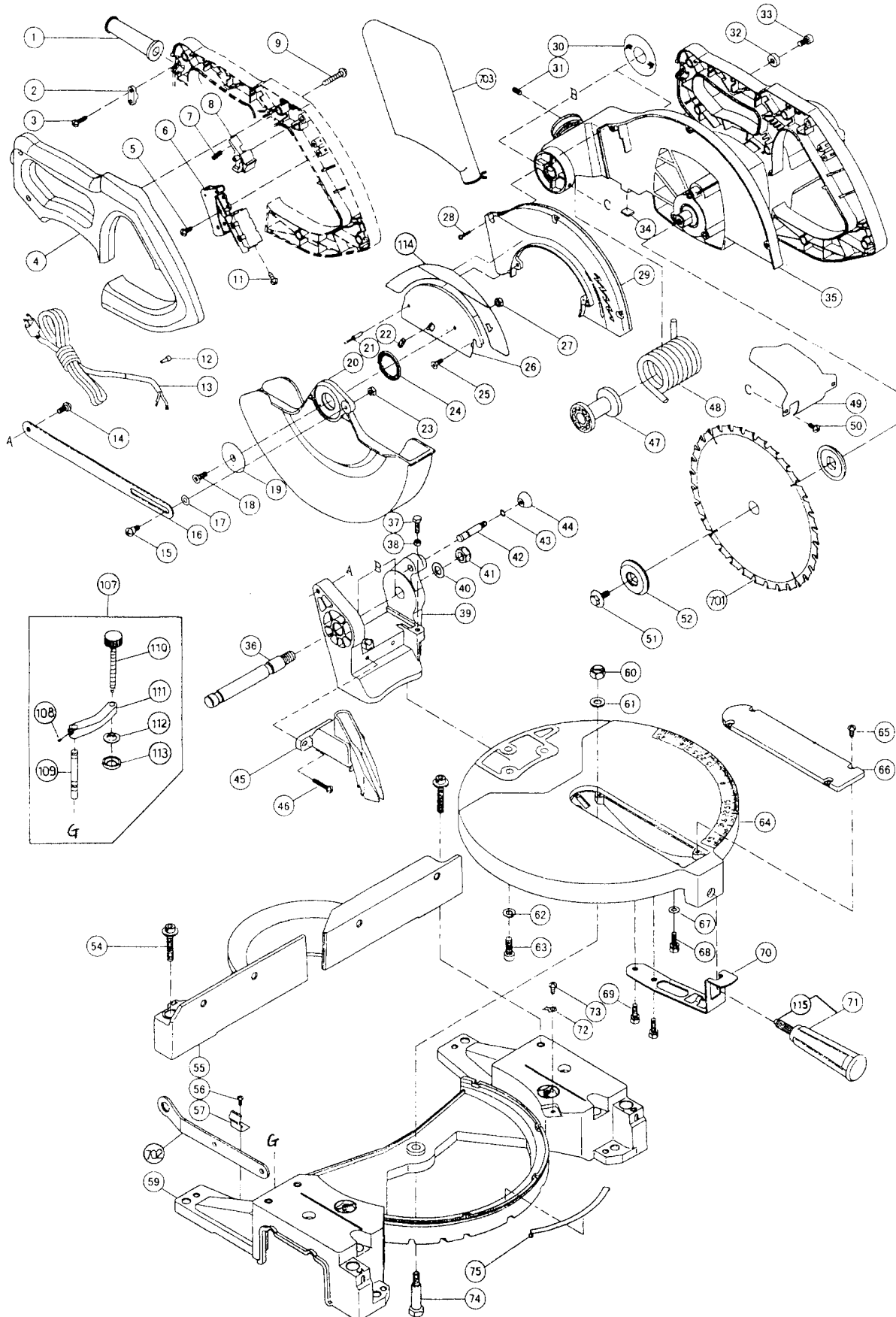
HITACHI

LIST NO. E930

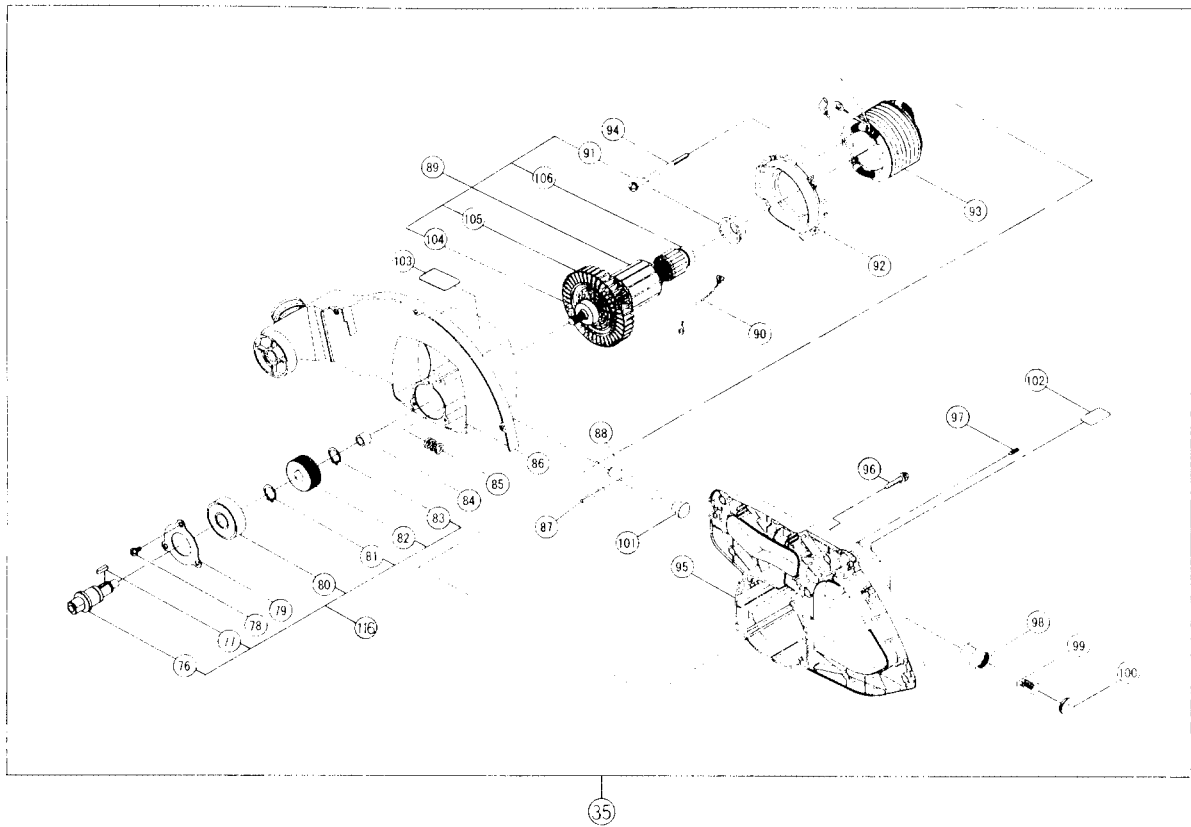
ELECTRIC TOOL PARTS LIST

■ MITER SAW
Model C 10FM

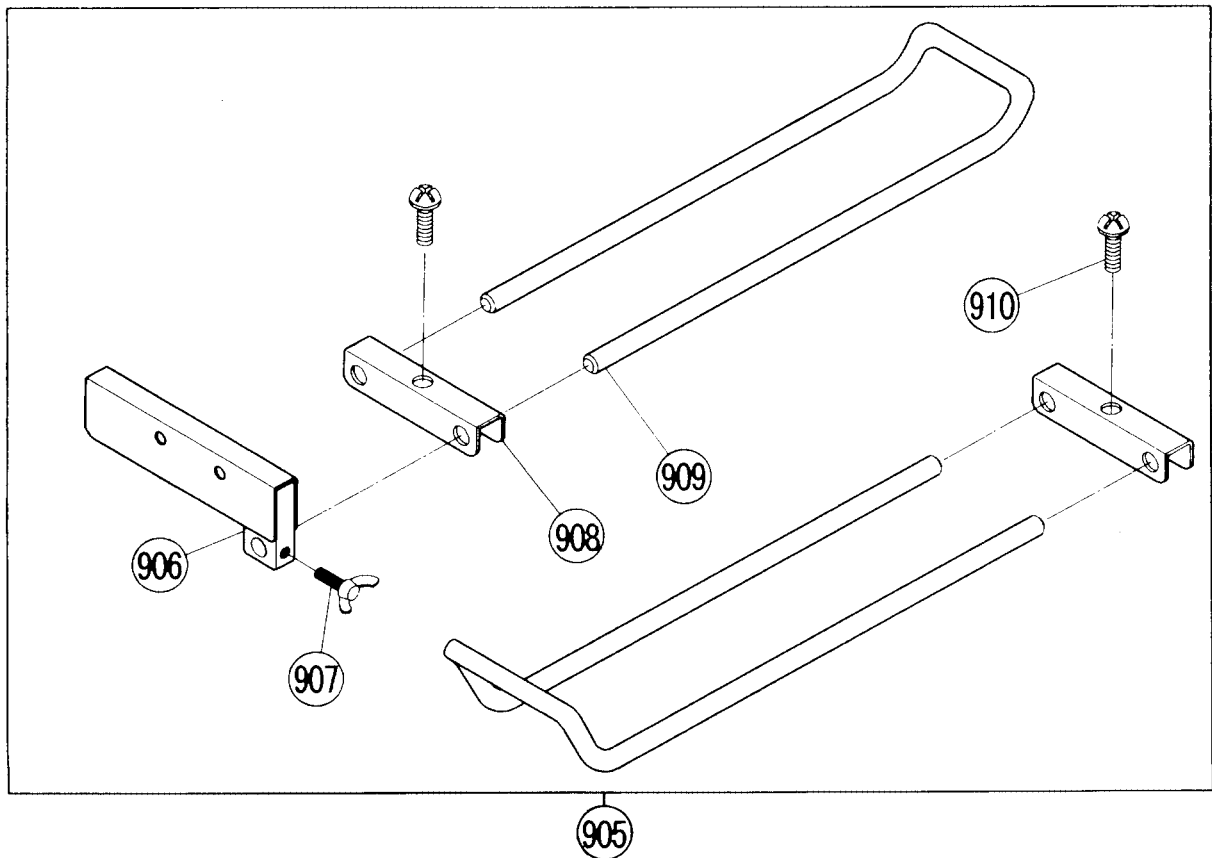
2000 · 2 · 10.
(E1)



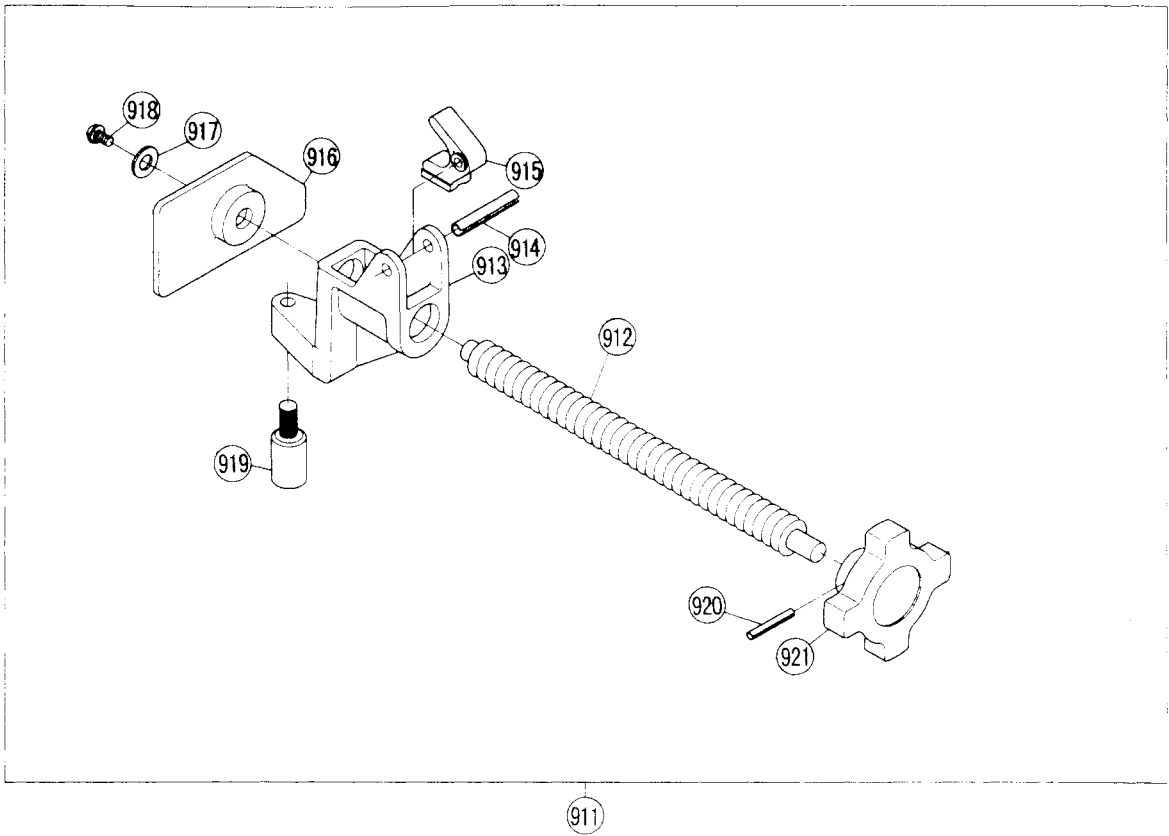
MOTOR ASSEMBLY



HOLDER ASSEMBLY



WISE ASSEMBLY



PARTS

C 10FM

ITEM No.	CODE NO.	DESCRIPTION	NO. USED	REMARKS
1	311-096	CORD GUARD	1	
2	311-070	CORD CLAMP	1	
3	311-103	TRUSS HD. TAPPING SCREW D4X12	2	
4	318-850	HANDLE COVER	1	
5	311-103	TRUSS HD. TAPPING SCREW D4X12	1	
6	317-553	SWITCH	1	
7	311-106	SPRING	1	
8	318-851	SWITCH	1	
9	317-377	TAPPING SCREW D4X20	6	
11	317-070	MACHINE SCREW M5X12	3	
12	318-852	TERMINAL	1	
13	318-853	POWER CABLE	1	
14	314-980	TRUSS HD. STEP SCREW M6X12	1	
15	317-496	TRUSS HD. STEP SCREW M6X14	1	
16	318-854	LEVER	1	
17	317-505	FLAT WASHER M6	1	
18	317-582	COUNTER HD. SCREW M6X16	1	
19	317-583	COLLAR	1	
20	318-855	PC-GUARD	1	
21	311-036	RIVET 3/16"X17/32"	1	
22	317-585	BUMPER	1	
23	318-856	HEX. NUT M6	1	
24	314-987	SPRING GUARD	1	
25	317-586	COUNTER HD. SCREW M5X12	1	
26	318-857	CUTTER SHAFT GUARD	1	
27	314-522	SPECIAL NUT CHUCK M6	1	
28	317-566	TAPPING SCREW D4X16	3	
29	318-858	HOUSING	1	
30	318-859	SHIM	1	
31	318-860	HEX. SOCKET SET SCREW M6X10	2	
32	318-861	ANCHOR BLOCK	1	
33	318-862	HEX. SOCKET HD. BOLT M6X12	1	
34	318-863	RUBBER PAD	1	
35	318-864	MOTOR ASS'Y	1	INCLUD.76-90,92-103
36	318-884	SHAFT	1	
37	318-885	HEX. BOLT M6X20	1	
38	318-856	HEX. NUT M6	1	
39	318-887	SUPPORT	1	
40	318-888	FLAT WASHER M12	1	
41	318-889	NUT CHUCK	1	
42	318-890	BRACKET STOP	1	
43	318-891	O-RING ROD	1	
44	318-892	KNOB HANDLE	1	
45	318-893	CHIP DEFLECTOR	1	
46	318-894	SPECIAL SCREW M5X16	2	
47	318-895	SHAFT SLEEVE	1	
48	317-589	TORSION SPRING	1	
49	318-896	CHIP PLATE	1	
50	318-897	SPECIAL SCREW M4X8	2	
51	314-348	BOLT (LEFT HAND) W/WASHER M8X20	1	
52	317-360	ARBOR COLLAR	2	

* : ALTERNATIVE PARTS

2 - 00

PARTS

C 10FM

ITEM NO.	CODE NO.	DESCRIPTION	NO. USED	REMARKS
54	317-632	HEX. SOCKET HD. BOLT M8X45	2	
55	318-898	FENCE	1	
56	318-899	TAPPING SCREW D5X10	1	
57	317-353	FOLLOWER PLATE	1	
59	318-900	BASE	1	
60	314-519	NUT CHUCK M8	1	
61	311-047	FLAT WASHER M8	1	
62	949-457	SPRING WASHER M8 (10 PCS.)	3	
63	318-902	HEX. SOCKET HD. BOLT M8X25	3	
64	318-903	TABLE	1	
65	318-904	SPECIAL SCREW M4X10	4	
66	311-046	TABLE INSERT	1	
67	317-626	WASHER	1	
68	318-118	HEX. BOLT (W/WASHERS) M6X20	1	
69	317-628	HEX. BOLT (W/WASHER) M6X20	2	
70	317-630	SPRING PLATE	1	
71	317-631	HANDLE ASS'Y	1	INCLUD.115
72	317-638	ANGLE POINTER	1	
73	318-905	SPECIAL SCREW M6X10	1	
74	311-039	CENTER SHAFT	1	
75	317-639	SLIDE PLATE	3	
76	318-865	ARBOR SHAFT	1	
77	318-866	PARALLEL KEY	1	
78	318-867	MACHINE SCREW (W/FLANGE) M5X10	3	
79	318-868	BEARING COVER	1	
80	620-4VV	BALL BEARING 6204VVCMP2L	1	
81	311-076	C-RING	1	
82	318-869	HELIX GEAR	1	
83	318-870	C-RING	1	
84	314-570	NEEDLE BEARING	1	
85	318-871	COMPRESSION SPRING	1	
86	318-872	UPPER ARM	1	
87	318-873	SPRING PIN	1	
88	318-874	BRACKET STOP	1	
89	318-875	ARMATURE ASS'Y 115V	1	INCLUD.91,104-106
90	318-877	INTERNAL WIRE	1	
91	317-075	BEARING BUSHING	1	
92	317-596	FLOW GUIDE	1	
93	318-878	FIELD	1	
94	318-879	TAPPING SCREW (W/SP. WASHER) D5X60	2	
95	318-880	MOTOR HOUSING	1	
96	318-881	TAPPING SCREW (W/SP. WASHER) D5X16	4	
97	318-882	HEX. SOCKET SET SCREW M5X8	2	
98	317-374	BRUSH HOLDER	2	
99	311-089	CARBON BRUSH	2	
100	314-583	BRUSH CAP	2	
101	318-883	PLASTIC CAP	1	
102		NAME PLATE	1	
103		WARNING LABEL (A)	1	
104	620-1DD	BALL BEARING 6201DDCMP2L	1	
105	318-876	PLAIN WASHER	1	

PARTS

C 10FM

ITEM No.	CODE NO.	DESCRIPTION	NO. USED	REMARKS
106	620-0VV	BALL BEARING 6200VVCMP2L	1	
107	317-642	WISE ASS'Y (FOR VERTICAL)	1	INCLUD.108-113
108	968-247	HEX. SOCKET SET SCREW M6X10	1	
109	317-643	SUPPORT	1	
110	317-644	SCREW BAR	1	
111	317-645	WISE BEARING	1	
112	317-646	FLANGE	1	
113	317-647	BUSHING	1	
114		HITACHI LABEL	1	
115	318-819	BUSHING	1	
116	319-003	SPINDLE ASS'Y	1	INCLUD.76,77,80-83

STANDARD ACCESSORIES

ITEM No.	CODE NO.	DESCRIPTION	NO. USED	REMARKS
701	311-128	TCT SAW BLADE 255MM-D15.88 HOLE-NT24	1	
702	311-013	WRENCH	1	
703	311-034	DUST BAG	1	

OPTIONAL ACCESSORIES

ITEM No.	CODE NO.	DESCRIPTION	NO. USED	REMARKS
901	976-472	TCT SAW BLADE CROSS-CUT 255MM-D15.9 HOLE	1	
903	976-473	TCT SAW BLADE 255MM-D15.9 HOLE	1	
905	317-542	HOLDER ASS'Y	1	INCLUD.906-910
906	317-654	STOCK STOP	1	
907	317-375	WING BOLT 1/4"X3/4"	1	
908	317-655	LOCK SUPPORT ROD	2	
909	317-656	EXTENSION WING	2	
910	949-271	MACHINE SCREW M8X20 (10 PCS.)	2	
911	317-541	WISE ASS'Y (FOR LATERAL)	1	INCLUD.912-921
912	317-648	SCREW BAR	1	
913	317-649	WISE BEARING	1	
914	949-515	ROLL PIN D6X30 (10 PCS.)	1	
915	317-650	CLUTCH	1	
916	317-629	SET PLATE	1	
917	311-126	WASHER 3/16"X1/2"	1	
918	317-503	MACHINE SCREW (W/WASHER) M5X10	1	
919	317-652	SUPPORT	1	
920	949-518	ROLL PIN D3X18 (10 PCS.)	1	
921	317-653	KNOB	1	

* : ALTERNATIVE PARTS

Printed in Japan 2 - 00
(000210 N)