

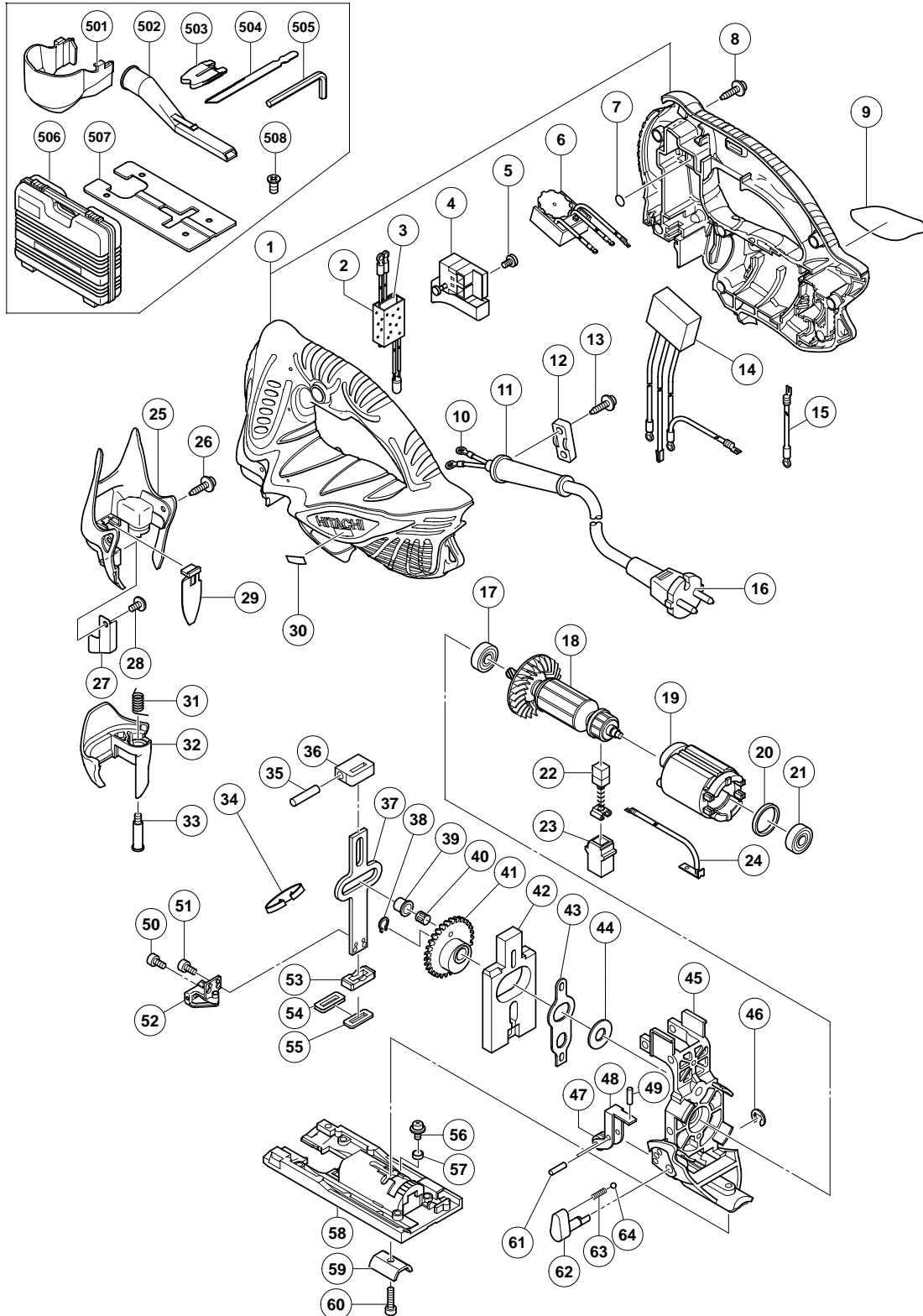
ELECTRIC TOOL PARTS LIST

■ JIG SAW

2005 • 10 • 14

Model CJ 110MV

(E1)



PARTS

CJ 110MV

ITEM NO.	CODE NO.	DESCRIPTION	NO. USED	REMARKS
1	325-097	HOUSING (A).(B) SET	1	
2	930-153	SUPPORT (B)	1	
* 3	325-091	PRINTED CIRCUIT BOARD (LED LIGHT)	1	
* 3	325-084	PRINTED CIRCUIT BOARD (LED LIGHT)	1	FOR TPE, GBR (110V), USA, CAN
4	325-085	SWITCH (E) (1P SCREW TYPE) W/LOCK	1	INCLUD. 5
5	305-499	MACHINE SCREW (W/WASHER) M3.5X6	4	
* 6	325-087	CONTROLLER 100V-110V	1	
* 6	325-093	CONTROLLER 120V	1	
* 6	325-094	CONTROLLER 220V-240V	1	
7	984-528	O-RING (P-6)	4	
8	301-653	TAPPING SCREW (W/FLANGE) D4X20 (BLACK)	7	
9		NAME PLATE	1	
10	980-063	TERMINAL	2	
* 11	953-327	CORD ARMOR D8.8	1	
* 11	938-051	CORD ARMOR D10.1	1	
12	937-631	CORD CLIP	1	
13	984-750	TAPPING SCREW (W/FLANGE) D4X16	2	
* 14	325-092	NOISE SUPPRESSOR	1	FOR TPE, NZL, AUS, GBR, SAF, EUROPE, FIN, NOR, SWE, DEN, AUT, SUI, CHN
* 15	325-095	INTERNAL WIRE (GRAY) 260L	1	FOR THA, INA, SYR, SIN, HKG, KUW, USA, CAN, IND
* 16	500-234Z	CORD	1	(CORD ARMOR D8.8)
* 16	500-447Z	CORD	1	(CORD ARMOR D8.8) FOR SYR, SUI
* 16	500-455Z	CORD	1	(CORD ARMOR D8.8) FOR THA, CHN
* 16	500-423Z	CORD	1	(CORD ARMOR D8.8) FOR SIN, KUW
* 16	500-247Z	CORD	1	(CORD ARMOR D8.8) FOR FIN, NOR, SWE, DEN
* 16	500-439Z	CORD	1	(CORD ARMOR D8.8) FOR NZL, AUS
* 16	500-240Z	CORD	1	(CORD ARMOR D8.8) FOR USA, CAN
* 16	500-450Z	CORD	1	(CORD ARMOR D8.8) FOR HKG, GBR (230V)
* 16	500-461Z	CORD	1	(CORD ARMOR D8.8) FOR GBR (110V)
* 16	323-974	CORD	1	(CORD ARMOR D10.1) FOR TPE
17	608-VVM	BALL BEARING 608VVC2PS2L	1	
* 18	360-741C	ARMATURE 110V	1	
* 18	360-741U	ARMATURE ASS'Y 120V	1	INCLUD. 17, 21
* 18	360-741E	ARMATURE 220V-230V	1	
* 18	360-741F	ARMATURE 240V	1	
* 19	340-545C	STATOR 110V-120V	1	
* 19	340-545D	STATOR 120V	1	FOR USA, CAN
* 19	340-545E	STATOR 220V-240V	1	
20	323-420	RUBBER RING	1	
21	608-VVM	BALL BEARING 608VVC2PS2L	1	
22	999-041	CARBON BRUSH (1 PAIR)	2	
23	955-203	BRUSH HOLDER	2	
24	325-088	INTERNAL WIRE (BLUE) 50L	2	
25	325-078	FRONT COVER	1	
26	325-083	TAPPING SCREW (W/FLANGE) D4X12 (BLACK)	2	
27	321-592	FENCE	1	
28	325-079	MACHINE SCREW (W/SP. WASHER) M4X8 (BLACK)	1	
29	325-082	LIGHT BAR	1	
30		MODEL NAME PLATE	1	
31	321-580	LEVER SPRING	1	

PARTS

CJ 110MV

ITEM NO.	CODE NO.	DESCRIPTION	NO. USED	REMARKS
32	325-080	LEVER	1	
33	325-081	LEVER BOLT	1	
34	325-071	PLATE SPRING	1	
35	983-564	PIN D6	1	
36	325-070	PLUNGER HOLDER (A)	1	
37	325-072	PLUNGER	1	
38	994-251	RETAINING RING FOR D7 SHAFT	1	
39	325-069	CONNECTING PIECE	1	
40	325-242	NEEDLE BEARING	1	
41	325-068	GEAR	1	
42	325-067	BALANCE WEIGHT	1	
43	325-066	ORBITAL CAM	1	
44	957-540	WASHER (A)	1	
45	325-061	GEAR HOLDER	1	
46	673-489	RETAINING RING (E-TYPE) FOR D5 SHAFT	1	
47	325-064	BLADE ROLLER	1	
48	325-063	ROLLER HOLDER	1	
49	325-062	NEEDLE ROLLER	1	
50	325-241	SEAL LOCK HEX. SOCKET HD. BOLT M3X8	1	
51	325-077	SEAL LOCK HEX. SOCKET HD. BOLT M3X6	1	
52	325-076	BLADE HOLDER	1	
53	325-073	PLUNGER HOLDER (B)	1	
54	325-075	PACKING COVER	1	
55	325-074	PACKING	1	
56	315-500	MACHINE SCREW (W/WASHER) M4X8 (BLACK)	1	
57	321-576	RUBBER BUSHING	1	
58	321-573	BASE	1	
59	321-575	BASE LOCKER	1	
60	949-665	HEX. SOCKET HD. BOLT M5X14 (10 PCS.)	1	
61	983-545	NEEDLE ROLLER	2	
62	325-065	CHANGE KNOB	1	
63	982-454	SPRING (C)	1	
64	959-155	STEEL BALL D3.97 (10 PCS.)	1	

STANDARD ACCESSORIES

CJ 110MV

ITEM NO.	CODE NO.	DESCRIPTION	NO. USED	REMARKS
* 501	325-096	CHIP COVER	1	FOR EUROPE, NZL, AUS
* 502	321-591	DUST COLLECTOR	1	FOR EUROPE, NZL, AUS
* 503	321-590	TABLE INSERT	1	FOR EUROPE, NZL, AUS
504	879-357	JIG SAW BLADE NO. 41 (5 PCS.)	1	
505	944-458	HEX. BAR WRENCH 4MM	1	
* 506	325-090	CASE	1	EXCEPT FOR USA, CAN
507	321-993	SUB BASE (B) SET (PLASTIC)	1	INCLUD. 508
508	321-996	SPECIAL BOLT	4	

OPTIONAL ACCESSORIES

ITEM NO.	CODE NO.	DESCRIPTION	NO. USED	REMARKS
601	963-400	JIG SAW BLADES NO. 97 FOR STAINLESS (5PCS.)	1	
602	879-336	JIG SAW BLADES NO. 11 (5 PCS.)	1	
603	879-337	JIG SAW BLADES NO. 12 (5 PCS.)	1	
604	879-338	JIG SAW BLADES NO. 15 (5 PCS.)	1	
605	879-339	JIG SAW BLADES NO. 16 (5 PCS.)	1	
606	879-340	JIG SAW BLADES NO. 21 (5 PCS.)	1	
607	879-341	JIG SAW BLADES NO. 22 (5 PCS.)	1	
608	321-878	JIG SAW BLADES (LONG) 185L (3PCS.)	1	
609	321-992	SUB BASE (A) SET (STEEL)	1	INCLUD. 610
610	321-996	SPECIAL BOLT	4	
611	321-593	GUIDE	1	
612	325-149	GREASE (MOLUB-ALLOY NO. 777-1) 75G	1	